

ABB BALDOR RELIANCE III

Customer information packet

VP3439D

.57/.75HP, 3000RPM, DC, D80D, 3420P, TEFC, F2

Class - None

Division -

Specifications

Armature Voltage	180 V
Base Speed	3000 rpm
Enclosure	TEFC
Frame	D80D
Frame Material	Steel
Haz Area Class and Group	None
Output Power	0.750 HP
Agency Approvals	CE CSA UR
Ambient Temperature	40 °C
Armature Current	3.6 a
Armature Inertia	7.804 lb-ft ²
Base Indicator	Rigid
Bearing Grease Type	Polyrex EM (-20F +300F)
Drip Cover	No Drip Cover
Duty Rating	CONT
Feedback Device	NO FEEDBACK
Frame Prefix	D
Heater Indicator	No Heater
Lifting Lugs	No Lifting Lugs
Motor Lead Exit	Ko Box
Motor Lead Quantity/Wire Size	2 @ 14 AWG
Motor Lead Termination	Flying Leads
Motor Standards	IEC
Mounting Arrangement	B35
Overall Length	14.35 IN
Product Family	BISSIC
Pulley End Bearing Type	Sealed Bearing
Service Factor	1.00
Shaft Diameter	0.748 IN
Shaft Extension Location	Pulley End

Part Detail

Revision	R
Type	DC
Mech. spec.	34-6483
Base	
Status	PRD/A
Elec. spec.	34WG5699
Layout	34LY6483
Eff. date	10-25-2024
CD Diagram	CD0194
Poles	00
Leads	
Proprietary	False
Created date	01-01-0001

Shaft Ground Indicator	No Shaft Grounding
Shaft Rotation	Reversible
Shaft Slinger Indicator	No Slinger

Nameplate

NP1049L			
CAT.NO.	VP3439D		
SPEC.	34-6483-5699		
KW/HP	.56/.75 TE	I.P.	54
RPM	3000 1/MIN KG17 IC411 TE		
IEC FRAME	D80D	TYPE	3420P
ARM V	180	ARM A	3.6
FLD V		FLD A	
INSUL	F	AMB.	40
DUTY	CONT	SUPPLY	1.5
BRG/DE	6206	BRG/ODE	6203
BRUSHES	2/BP5000AW14		
		BLANK	
SER.			
BLANK	IEC60034-1;-5		
APRV-CE	APRV-CSA	APRV-UL	

Accessories

Part number	Description	Multiplier
TK3400	TACHO MOUNTING KIT FOR TK3400	A8
TK3400-HPU	HPU10 MOUNTING KIT 34P/35P TEFC	

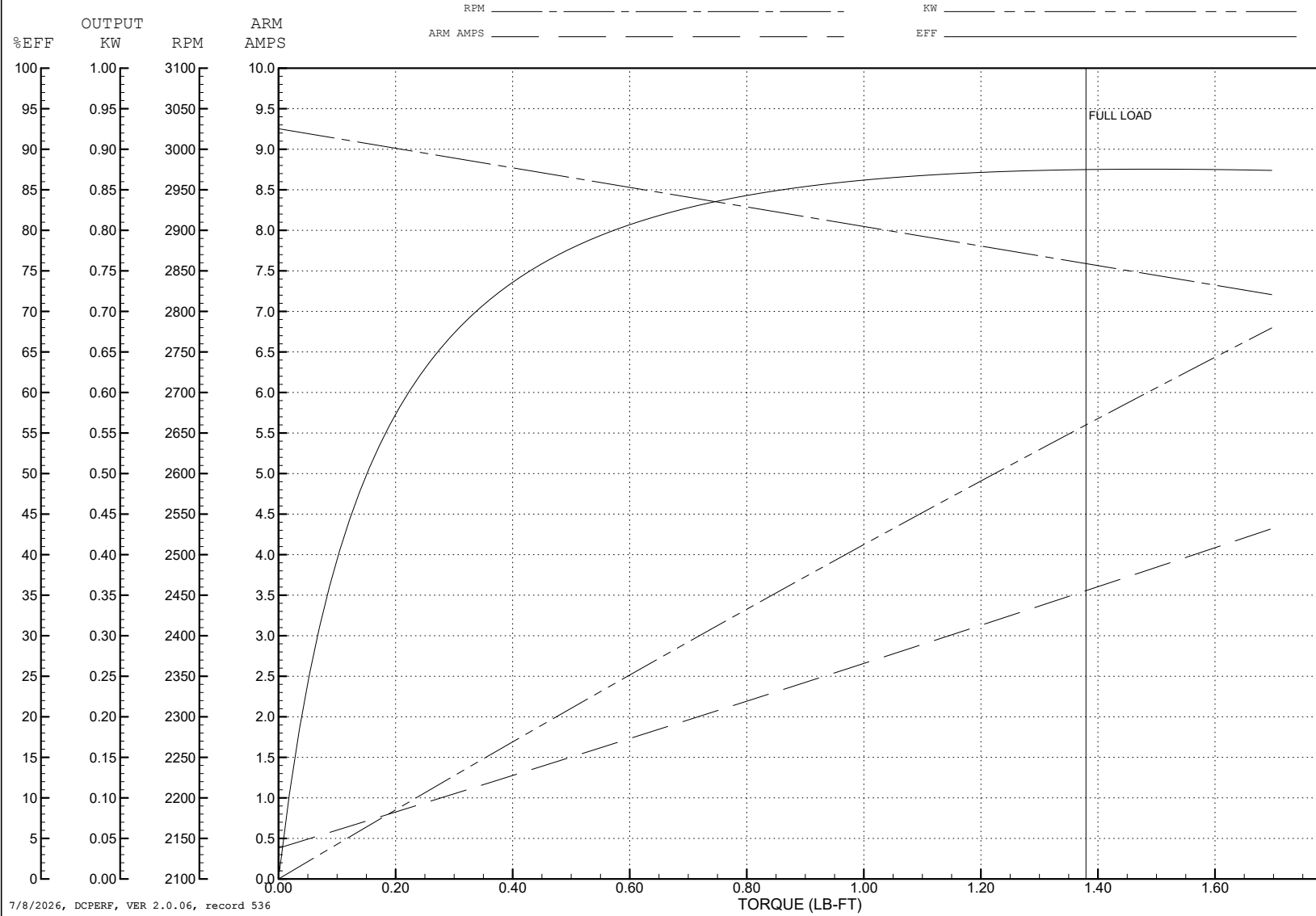
ABB Motors and Mechanical Inc.

WINDING # 34WG5699

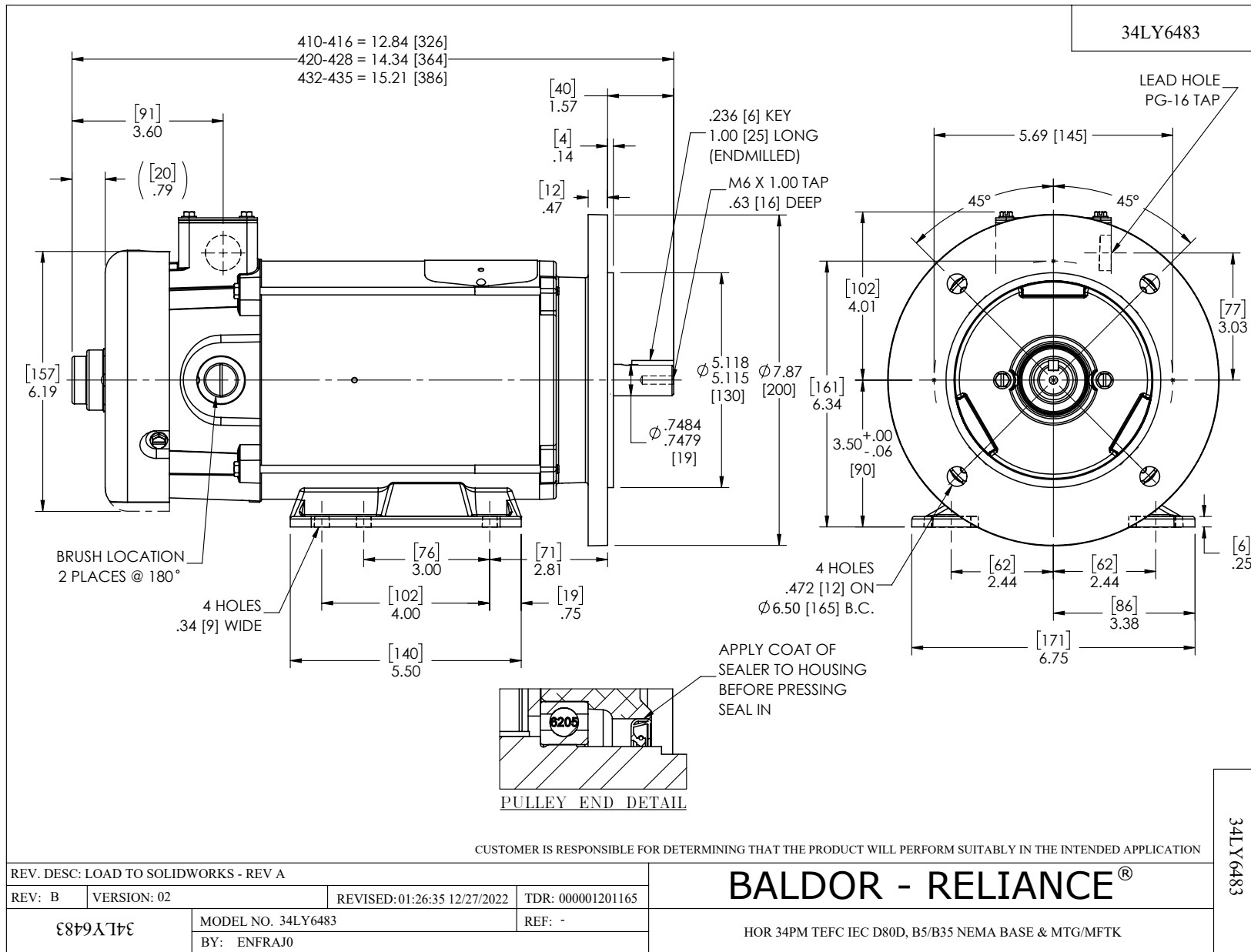
0.56 KW DC 3000 RPM 180 V 3420P

Typical performance - not guaranteed values.

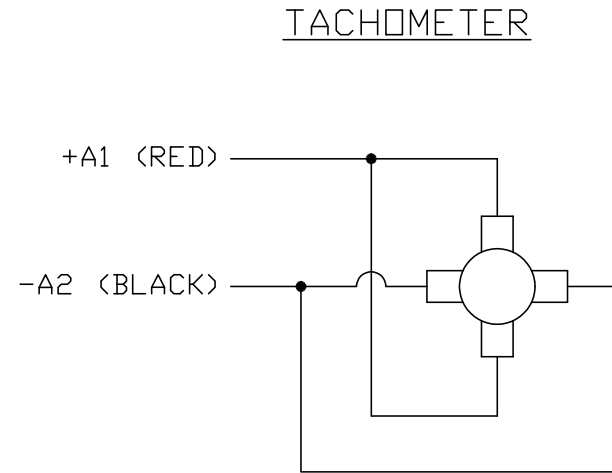
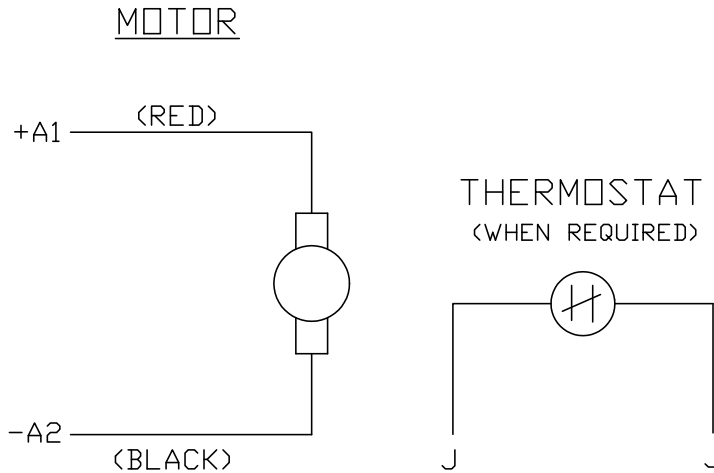
ENCL: TEFC DUTY: CONT CL: F



7/8/2026, DCPERF, VER 2.0.06, record 536



CD0194



NOTES:

1. CCW ROTATION AS SHOWN FACING COMMUTATOR END. TO REVERSE MOTOR ROTATION OR TACHOMETER OUTPUT POLARITY INTERCHANGE LEADS A1(RED) & A2(BLACK)
2. LEAD COLORS FOR REFERENCE ONLY & NOT SPECIFIED BY THIS DRAWING. LEAD COLORS SPECIFIED BY LAYOUT DRAWING & BILL OF MATERIAL ONLY.

MATL: -			
REV: E	ADDED NOTE "LEAD COLORS FOR REFERENCE ONLY &..."		
CD0194	SCALE: -	BY: CK	REVISED: 07/28/95
	FILE: AAA00004503	TDR: 0078737	

BALDOR ELECTRIC Co.

CD TYPE P DC PERMANENT MAGNET MOTORS AND TACHOMETERS

CD0194