

BALDOR • RELIANCE

Customer information packet

VP3439-14

.75HP/.56KW/3000RPM/TEFC/D80C MOTOR

Class - None

Division - Not Applicable

Specifications

Armature Voltage	180 V
Base Speed	3000 rpm
Enclosure	TEFC
Frame	D80C
Haz Area Class and Group	None
Output Power	0.750 HP
Agency Approvals	CSA UR
Ambient Temperature	40 °C
Armature Current	3.6 a
Armature Inertia	7.804 lb-ft ²
Base Indicator	Rigid
Bearing Grease Type	Polyrex EM (-20F +300F)
Drip Cover	No Drip Cover
Duty Rating	CONT
Feedback Device	NO FEEDBACK
Frame Prefix	D
Haz Area Division	Not Applicable
Heater Indicator	No Heater
Insulation Class	F
Lifting Lugs	No Lifting Lugs
Motor Lead Exit	Ko Box
Motor Lead Quantity/Wire Size	2 @ 14 AWG
Motor Lead Termination	Flying Leads
Motor Standards	IEC
Mounting Arrangement	B34
Overall Length	14.35 IN
Product Family	General Purpose
Pulley End Bearing Type	Sealed Bearing
Service Factor	1.00
Shaft Diameter	0.748 IN
Shaft Extension Location	Pulley End

Part detail

Revision	AD
Type	DC
Mech. spec.	34-6243
Base	
Status	PRD/A
Elec. spec.	34WG5699
Layout	34LY6243
Eff. date	10-25-2024
CD Diagram	CD0194
Poles	00
Leads	
Proprietary	False
Created date	01-01-0001

Shaft Ground Indicator	No Shaft Grounding
Shaft Rotation	Reversible
Shaft Slinger Indicator	No Slinger

Nameplate

NP1049L				
CAT.NO.	VP3439-14			
SPEC.	34-6243-5699			
KW/HP	.56/.75 TE	I.P.	44	
RPM	3000 1/MIN			
IEC FRAME	D80C	TYPE	3420P	
ARM V	180	ARM A	3.6	
FLD V		FLD A		
INSUL	F	AMB.	40	
DUTY	CONT	SUPPLY	1.5	
BRG/DE	6205	BRG/ODE	6203	
BRUSHES	2/BP5000AW14			
		BLANK	KG16 IC411	
SER.				
BLANK	IEC60034-1;-5			
APRV-CE	Y	APRV-CSA	Y	APRV-UL Y

Accessories

Part number	Description	Multiplier
TK3400	TACHO MOUNTING KIT FOR TK3400	A8
TK3400-HPU	HPU10 MOUNTING KIT 34P/35P TEFC	

DC Motor Performance Data

Record # 536

Typical performance - not guaranteed values

Winding: 34WG5699-R001		Type: 3420P		Enclosure: TEFC	
Nameplate Data			General Characteristics		
Rated Output (KW)	0.56	Armature Resistance @ 25°C	2.1453 Ω		
R.P.M.	3000	Voltage Constant	59.12 v/krpm		
Armature Volts	180	Armature Inductance	16.1557 mH		
Armature Amps	3.6	Armature Inertia	7.804 LI ²		
Field Volts					
Field Amps					
Rating - Duty	40C AMB-CONT				
Form Factor	1.5				

Load Characteristics at 180 Armature Volts

Load Point	1	2	3	4	5	6
Armature Amps	0.4	1.6	2.3	3	3.6	4.3
R.P.M.	3028	2961	2919	2879	2859	2827
Torque (LB-FT)	0	0.559	0.859	1.117	1.396	1.697

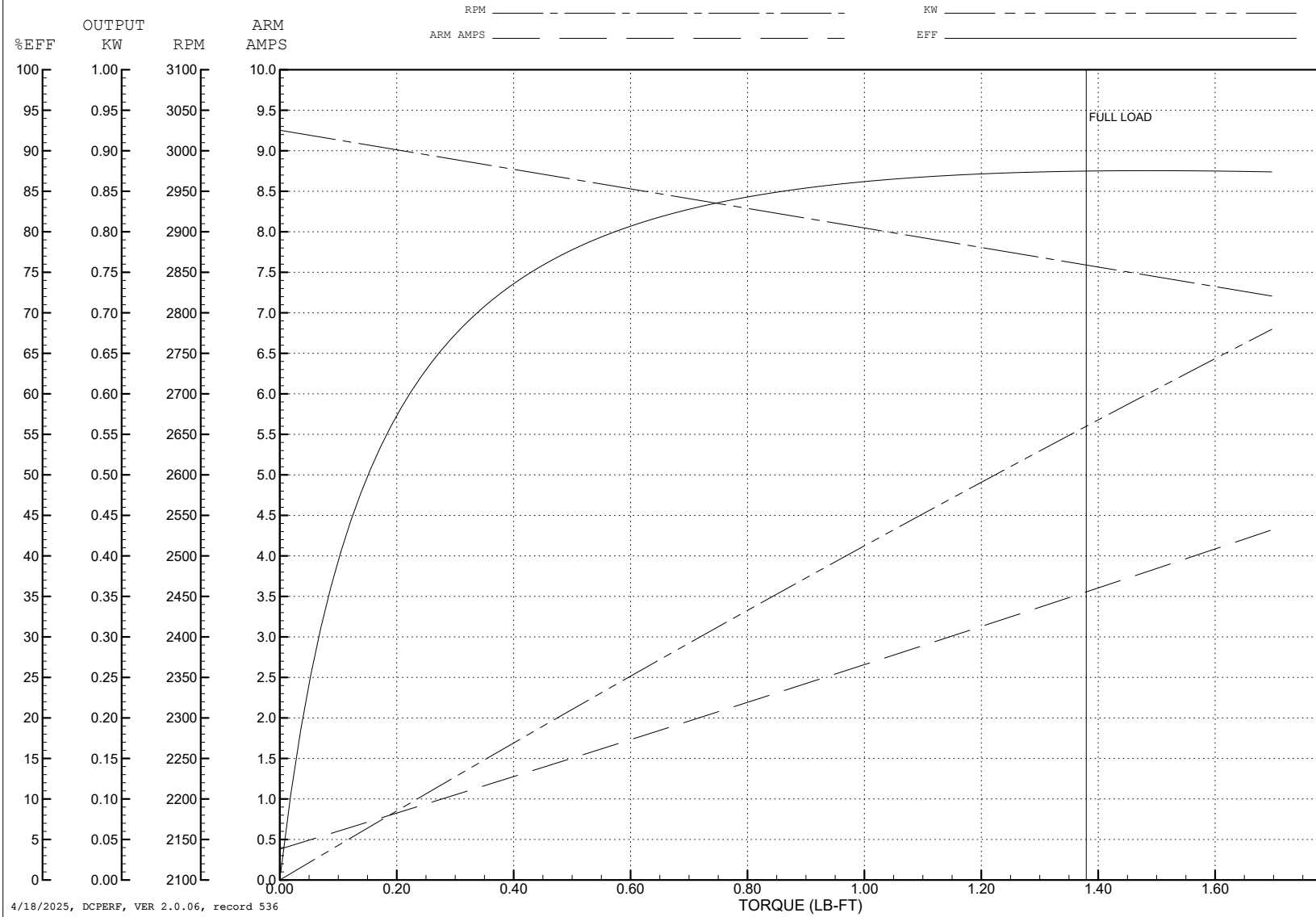
ABB Motors and Mechanical Inc.

WINDING # 34WG5699

0.56 KW DC 3000 RPM 180 V 3420P

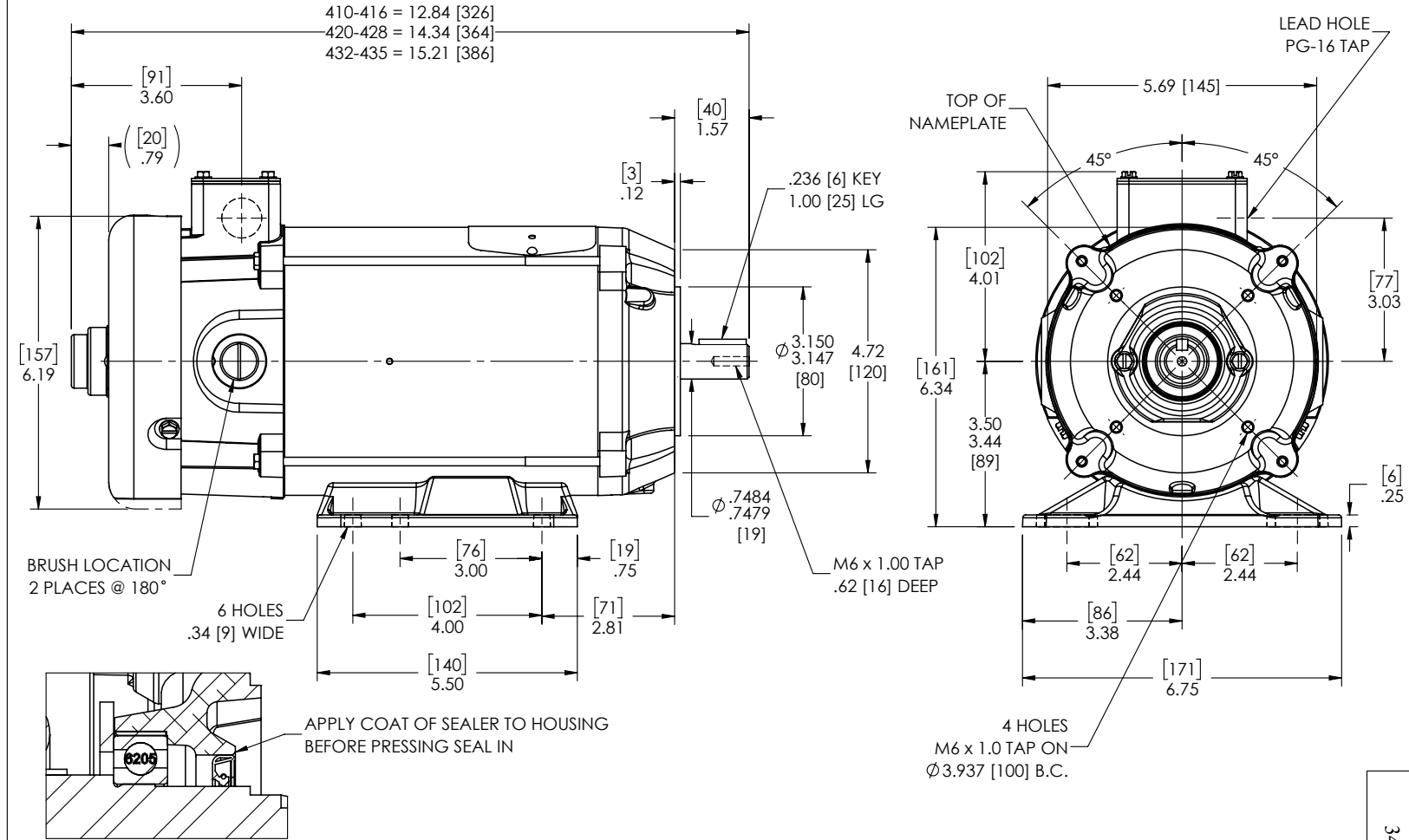
Typical performance - not guaranteed values.

ENCL: TEFC DUTY: CONT CL: F



4/18/2025, DCPERF, VER 2.0.06, record 536

34LY6243



PULLEY END DETAIL

CUSTOMER IS RESPONSIBLE FOR DETERMINING THAT THE PRODUCT WILL PERFORM SUITABLY IN THE INTENDED APPLICATION

REV. DESC: ROTATE PU ENDPLATE SO DRAIN IS AT 6:00

REV: Q	VERSION: 08	REVISED: 09:37:44 11/08/2023	TDR: 000001220064
--------	-------------	------------------------------	-------------------

34LY6243

MODEL NO. 34LY6243
 BY: ENJEFD0

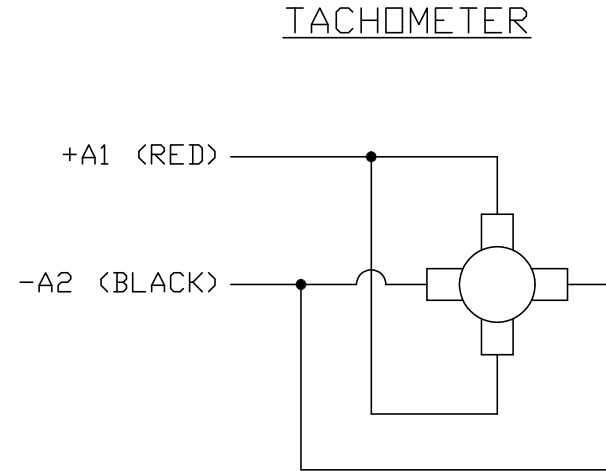
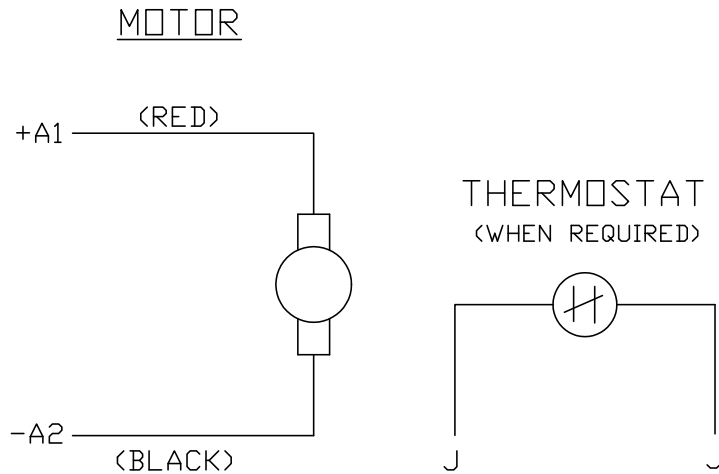
REF: -

BALDOR - RELIANCE®

STD HORZ 34PM TEFC IEC D80C-B34 W/SEAL & M.F.T.K.

34LY6243

CD0194



NOTES:

1. CCW ROTATION AS SHOWN FACING COMMUTATOR END. TO REVERSE MOTOR ROTATION OR TACHOMETER OUTPUT POLARITY INTERCHANGE LEADS A1(RED) & A2(BLACK)
2. LEAD COLORS FOR REFERENCE ONLY & NOT SPECIFIED BY THIS DRAWING. LEAD COLORS SPECIFIED BY LAYOUT DRAWING & BILL OF MATERIAL ONLY.

MATL: -			
REV: E	ADDED NOTE "LEAD COLORS FOR REFERENCE ONLY &..."		
CD0194	SCALE: -	BY: CK	REVISED: 07/28/95
	FILE: AAA00004503	TDR: 0078737	

BALDOR ELECTRIC Co.

CD TYPE P DC PERMANENT MAGNET MOTORS AND TACHOMETERS

CD0194