

BALDOR • RELIANCE

Customer information packet

VP3436D

.57/.75HP, 1750RPM, DC, D80D, 3428P, TEFC, F2

Class - None

Division -

Specifications

Armature Voltage	180 V
Base Speed	1750 rpm
Enclosure	TEFC
Frame	D80D
Frame Material	Steel
Haz Area Class and Group	None
Output Power	0.750 HP
Agency Approvals	CE CSA UR
Ambient Temperature	40 °C
Armature Current	3.7 a
Armature Inertia	10.926 lb-ft ²
Base Indicator	Rigid
Bearing Grease Type	Polyrex EM (-20F +300F)
Drip Cover	No Drip Cover
Duty Rating	CONT
Feedback Device	NO FEEDBACK
Frame Prefix	D
Heater Indicator	No Heater
Lifting Lugs	No Lifting Lugs
Motor Lead Exit	Ko Box
Motor Lead Quantity/Wire Size	2 @ 14 AWG
Motor Lead Termination	Flying Leads
Motor Standards	IEC
Mounting Arrangement	B35
Overall Length	14.35 IN
Product Family	BISSIC
Pulley End Bearing Type	Sealed Bearing
Service Factor	1.00
Shaft Diameter	0.748 IN
Shaft Extension Location	Pulley End

Part detail

Revision	R
Type	DC
Mech. spec.	34-6483
Base	
Status	PRD/A
Elec. spec.	34WG3946
Layout	34LY6483
Eff. date	10-25-2024
CD Diagram	CD0194
Poles	00
Leads	
Proprietary	False
Created date	01-01-0001

Shaft Ground Indicator

No Shaft Grounding

Shaft Rotation

Reversible

Shaft Slinger Indicator

No Slinger

Nameplate

NP1049L			
CAT.NO.	VP3436D		
SPEC.	34-6483-3946		
KW/HP	.57/.75 TE	I.P.	54
RPM	1750 1/MIN KG19 IC411 TE		
IEC FRAME	D80D	TYPE	3428P
ARM V	180	ARM A	3.7
FLD V		FLD A	
INSUL	F	AMB.	40
DUTY	CONT	SUPPLY	1.5
BRG/DE	6206	BRG/ODE	6203
BRUSHES	2/BP5000AW14		
		BLANK	
SER.			
BLANK	IEC60034-1;-5		
APRV-CE	APRV-CSA		APRV-UL

DC Motor Performance Data

Record # 1048

Typical performance - not guaranteed values

Winding: 34WG3946-R001		Type: 3428P		Enclosure: TEFC	
Nameplate Data			General Characteristics		
Rated Output (HP)	0.75		Armature Resistance @ 25°C	2.728 Ω	
R.P.M.	1750				
Armature Volts	180				
Armature Amps	3.7				
Field Volts			Armature Inductance	27.3166 mH	
Field Amps					
Rating - Duty	40C AMB-CONT				
Form Factor	1.5				

Load Characteristics at 180 Armature Volts

Load Point	1	2	3	4	5	6	7
Armature Amps	0.16	1.36	2.56	3.76	5.66	6.72	8.16
R.P.M.	1985	1934	1883	1832	1750	1705	1644
Torque (LB-FT)	0	0.75	1.5	2.25	3.44	4.1	5

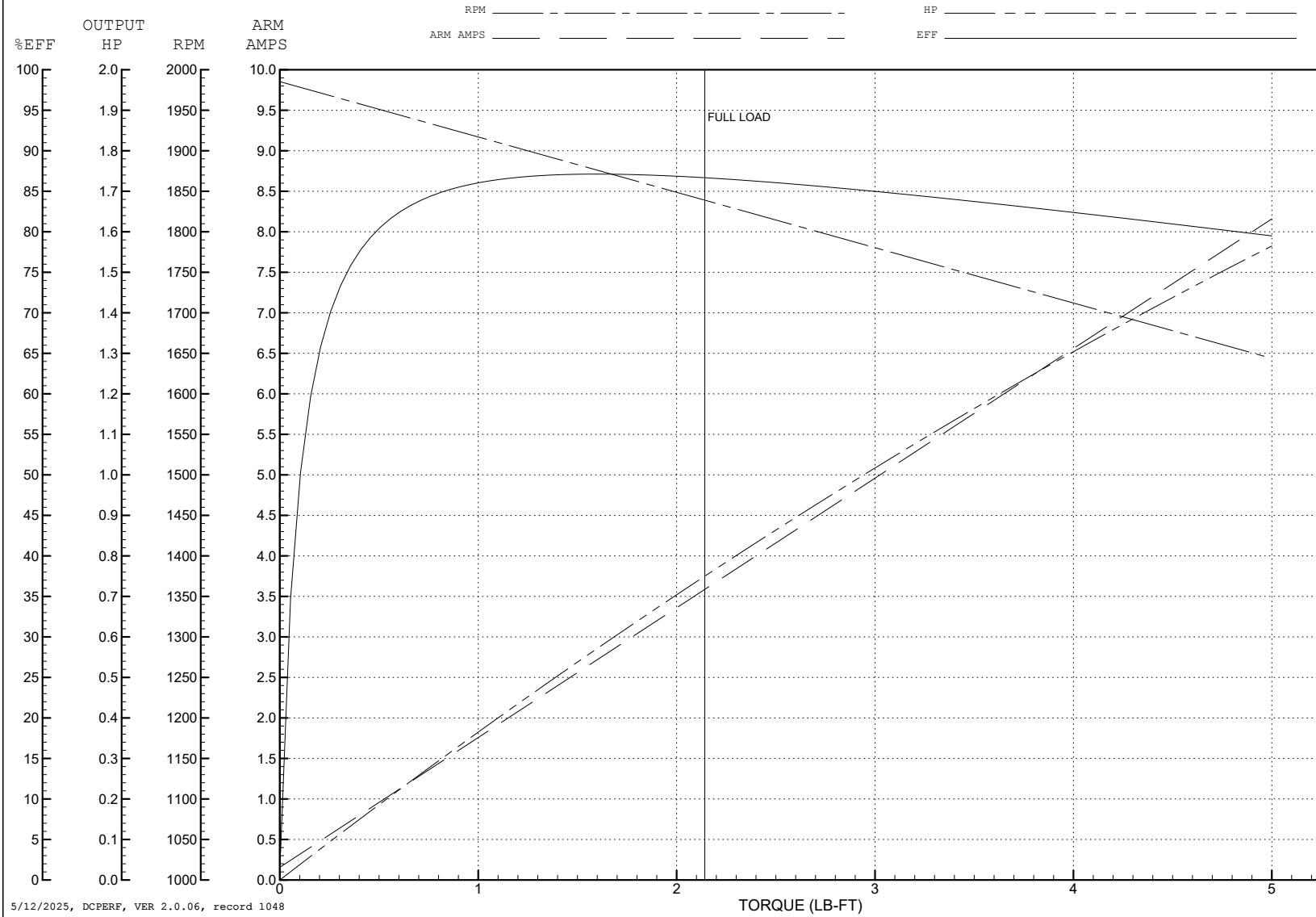
ABB Motors and Mechanical Inc.

WINDING # 34WG3946

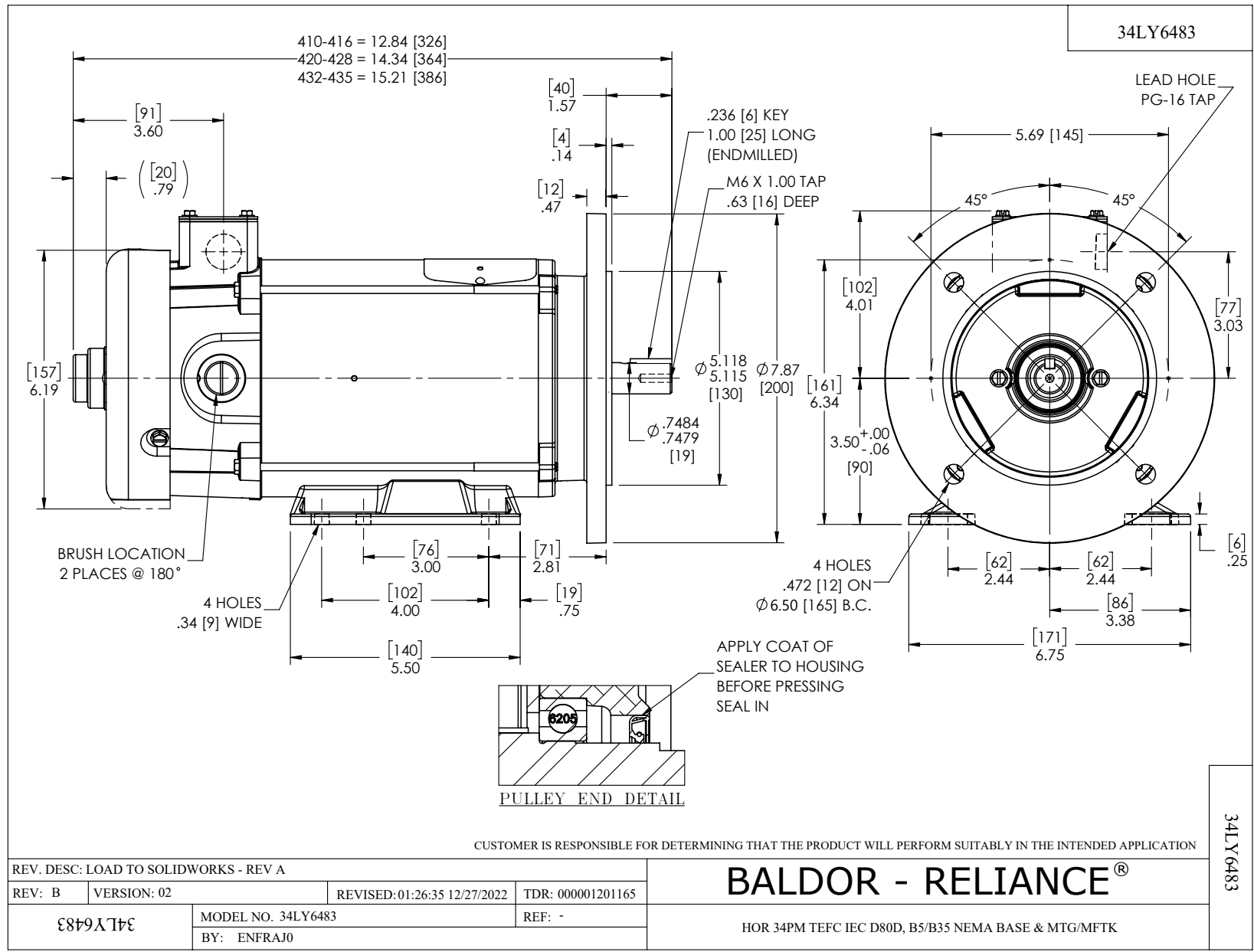
Typical performance - not guaranteed values.

0.75 HP DC 1750 RPM 180 V 3428P

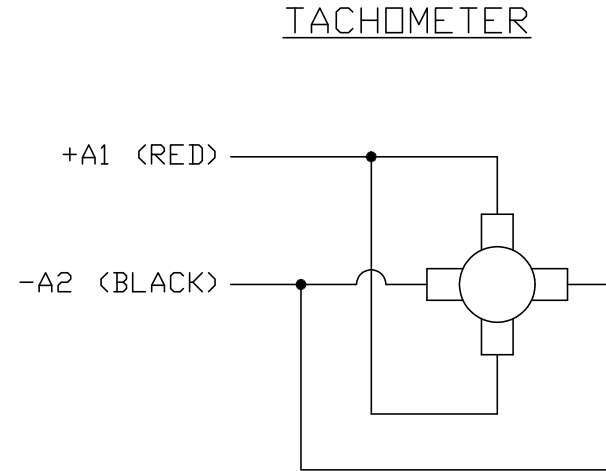
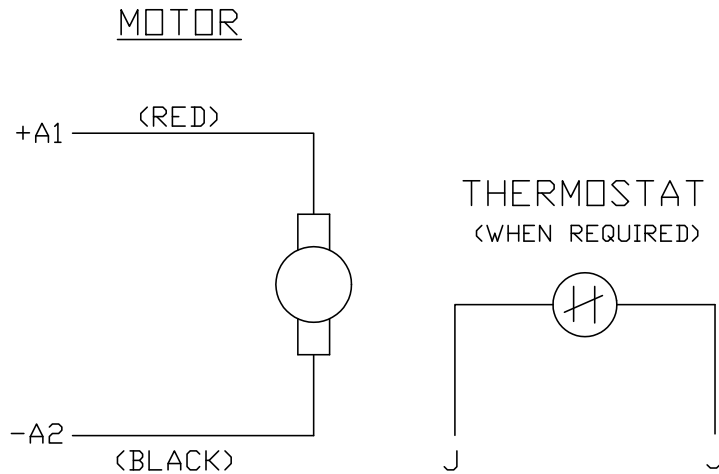
ENCL: TEFC DUTY: CONT CL: F



5/12/2025, DCPERF, VER 2.0.06, record 1048



CD0194



NOTES:

1. CCW ROTATION AS SHOWN FACING COMMUTATOR END. TO REVERSE MOTOR ROTATION OR TACHOMETER OUTPUT POLARITY INTERCHANGE LEADS A1(RED) & A2(BLACK)
2. LEAD COLORS FOR REFERENCE ONLY & NOT SPECIFIED BY THIS DRAWING. LEAD COLORS SPECIFIED BY LAYOUT DRAWING & BILL OF MATERIAL ONLY.

MATL: -			
REV: E	ADDED NOTE "LEAD COLORS FOR REFERENCE ONLY &..."		
CD0194	SCALE: -	BY: CK	REVISED: 07/28/95
	FILE: AAA00004503	TDR: 0078737	

BALDOR ELECTRIC Co.

CD TYPE P DC PERMANENT MAGNET MOTORS AND TACHOMETERS

CD0194