

# ABB BALDOR RELIANCE III

---

## Customer information packet

VP3416-14

.25/.33HP, 1750RPM, DC, D71C, 3413P, TEFC, F2

Class - None

Division -

**Specifications**

<b>Armature Voltage</b>	180 V
<b>Base Speed</b>	1750 rpm
<b>Enclosure</b>	TEFC
<b>Frame</b>	D71C
<b>Frame Material</b>	Steel
<b>Haz Area Class and Group</b>	None
<b>Output Power</b>	0.330 HP
<b>Agency Approvals</b>	CE CSA UR
<b>Ambient Temperature</b>	40 °C
<b>Armature Current</b>	1.7 a
<b>Armature Inertia</b>	5.073 lb-ft <sup>2</sup>
<b>Base Indicator</b>	Rigid
<b>Bearing Grease Type</b>	Polyrex EM (-20F +300F)
<b>Drip Cover</b>	No Drip Cover
<b>Duty Rating</b>	CONT
<b>Feedback Device</b>	NO FEEDBACK
<b>Frame Prefix</b>	D
<b>Heater Indicator</b>	No Heater
<b>Lifting Lugs</b>	No Lifting Lugs
<b>Motor Lead Exit</b>	Ko Box
<b>Motor Lead Quantity/Wire Size</b>	2 @ 14 AWG
<b>Motor Lead Termination</b>	Flying Leads
<b>Motor Standards</b>	IEC
<b>Mounting Arrangement</b>	B34
<b>Overall Length</b>	12.27 IN
<b>Product Family</b>	General Purpose
<b>Pulley End Bearing Type</b>	Sealed Bearing
<b>Service Factor</b>	1.00
<b>Shaft Diameter</b>	0.552 IN
<b>Shaft Extension Location</b>	Pulley End

**Part Detail**

<b>Revision</b>	AM
<b>Type</b>	DC
<b>Mech. spec.</b>	34-6242
<b>Base</b>	
<b>Status</b>	PRD/A
<b>Elec. spec.</b>	34WG4397
<b>Layout</b>	34LY6242
<b>Eff. date</b>	10-25-2024
<b>CD Diagram</b>	CD0194
<b>Poles</b>	00
<b>Leads</b>	
<b>Proprietary</b>	False
<b>Created date</b>	01-01-0001

<b>Shaft Ground Indicator</b>	<b>No Shaft Grounding</b>
<b>Shaft Rotation</b>	<b>Reversible</b>
<b>Shaft Slinger Indicator</b>	<b>No Slinger</b>

---

**Nameplate**

<b>NP1049L</b>			
<b>CAT.NO.</b>	VP3416-14		
<b>SPEC.</b>	34-6242-4397		
<b>KW/HP</b>	.25/.33 TE	<b>I.P.</b>	54
<b>RPM</b>	1750 TE 1/MIN IC411 14KG		
<b>IEC FRAME</b>	D71C	<b>TYPE</b>	3413P
<b>ARM V</b>	180	<b>ARM A</b>	1.7
<b>FLD V</b>		<b>FLD A</b>	
<b>INSUL</b>	F	<b>AMB.</b>	40
<b>DUTY</b>	CONT	<b>SUPPLY</b>	1.5
<b>BRG/DE</b>	6203	<b>BRG/ODE</b>	6203
<b>BRUSHES</b>	2/BP5000AW14		
		<b>BLANK</b>	
<b>SER.</b>			
<b>BLANK</b>	IEC60034-1;-5		
<b>APRV-CE</b>	<b>APRV-CSA</b>	<b>APRV-UL</b>	

**Accessories**

<b>Part number</b>	<b>Description</b>	<b>Multiplier</b>
TK3400	TACHO MOUNTING KIT FOR TK3400	A8
TK3400-HPU	HPU10 MOUNTING KIT 34P/35P TEFC	

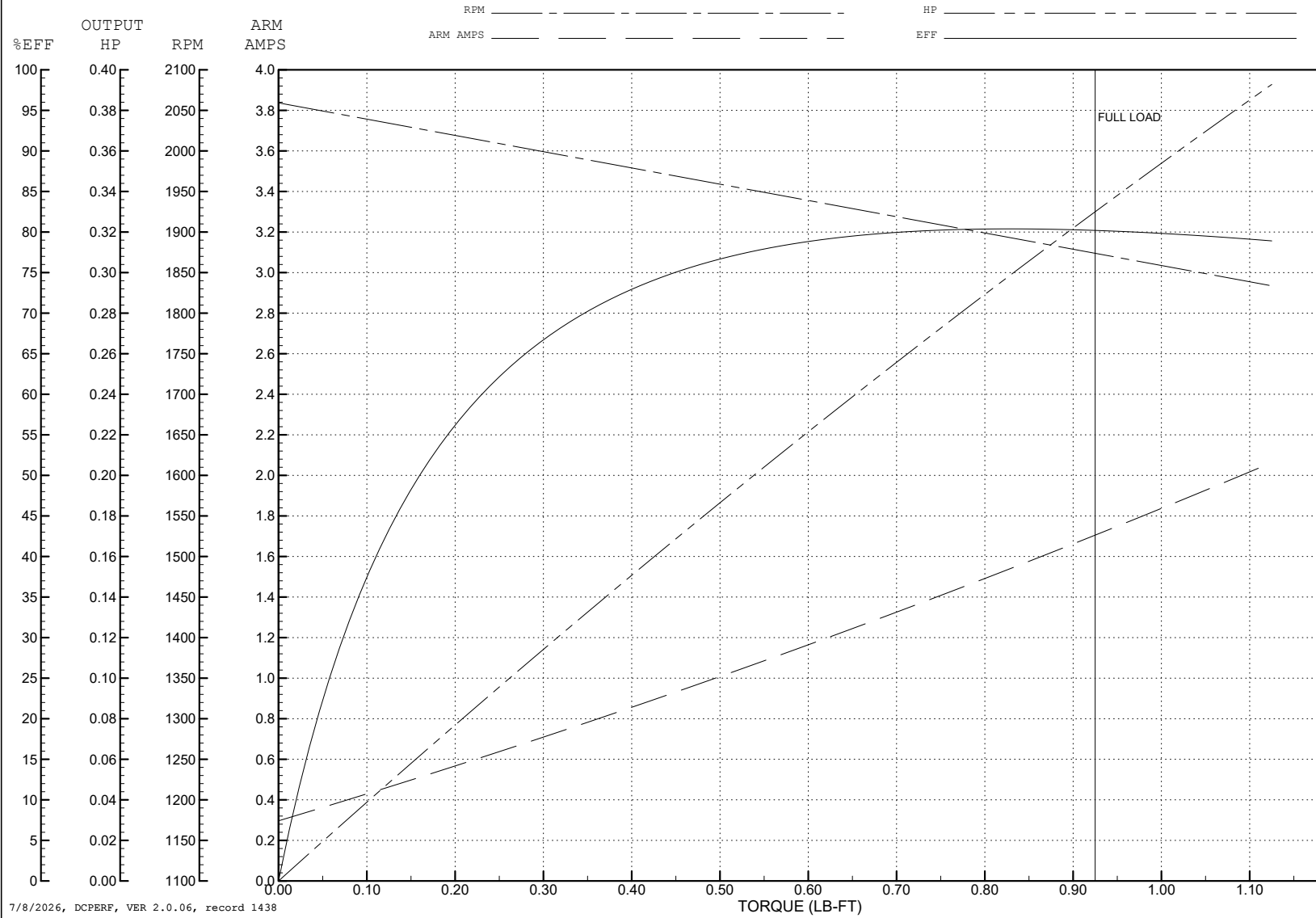
ABB Motors and Mechanical Inc.

WINDING # 34WG4397

0.33 HP DC 1750 RPM 180 V 3413P

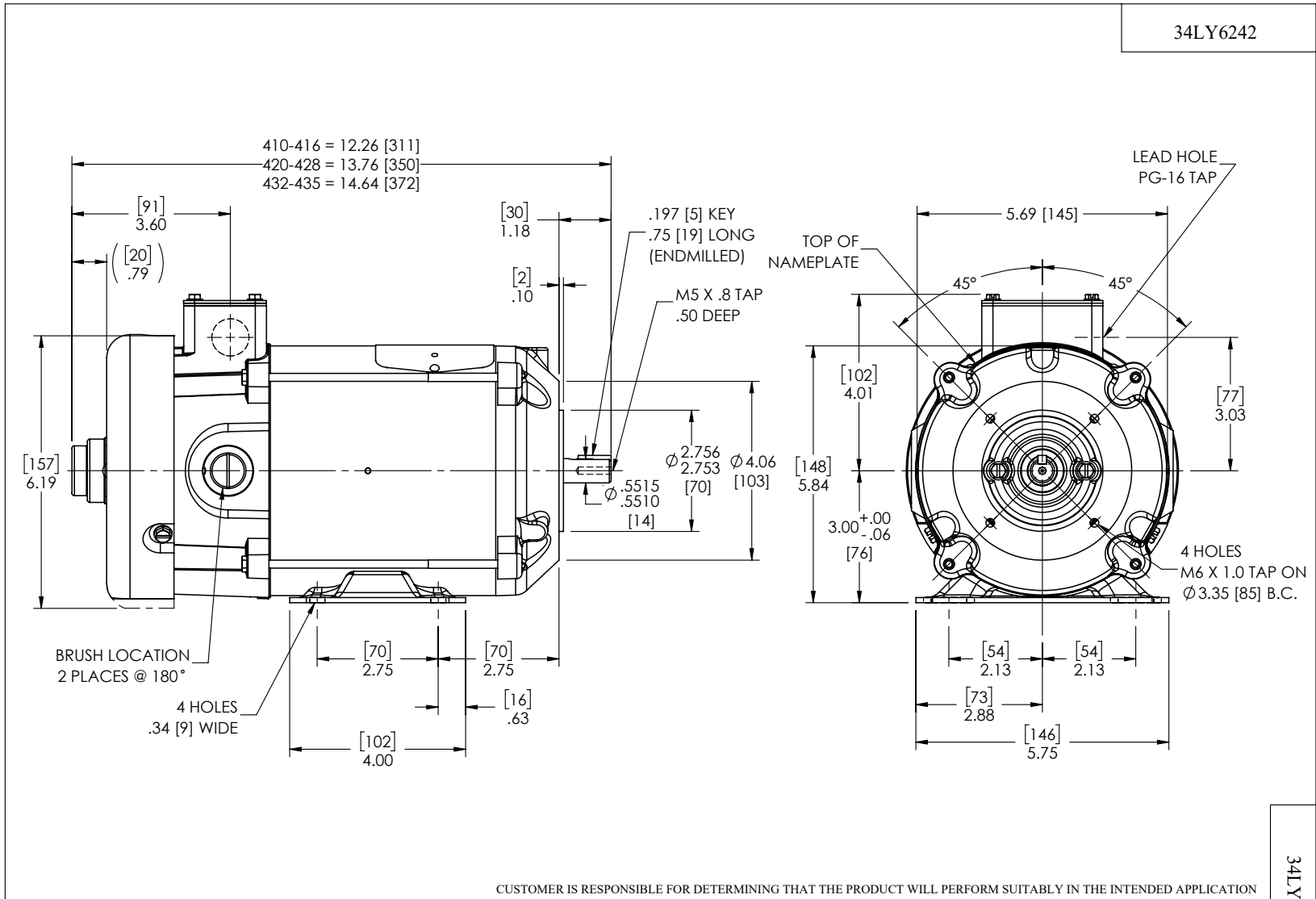
Typical performance - not guaranteed values.

ENCL: TEFC DUTY: CONT CL: F



7/8/2026, DCPERF, VER 2.0.06, record 1438

34LY6242



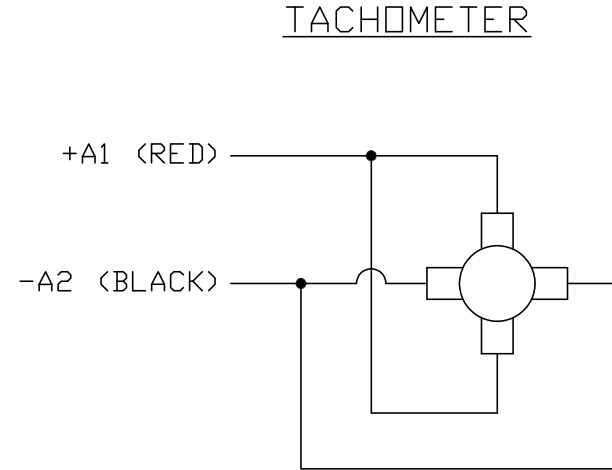
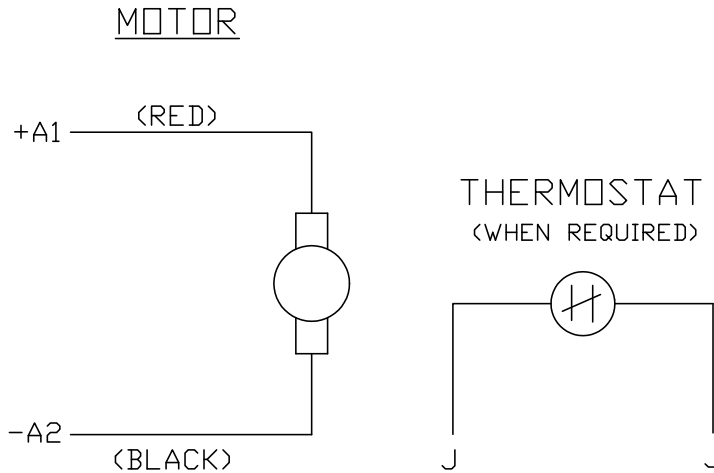
REV. DESC: LOAD TO SOLIDWORKS - REV N			
REV: P	VERSION: 02	REVISED: 11:41:34 12/22/2022	TDR: 000001201165
34LY6242	MODEL NO. 34LY6242	REF: -	
	BY: ENFRAJ0		

**BALDOR - RELIANCE®**

STD HORZ MODEL 34 PM TEFC IEC D71C-B14 2 POLE W/M.F.T.K.

34LY6242

CD0194



NOTES:

1. CCW ROTATION AS SHOWN FACING COMMUTATOR END. TO REVERSE MOTOR ROTATION OR TACHOMETER OUTPUT POLARITY INTERCHANGE LEADS A1(RED) & A2(BLACK)
2. LEAD COLORS FOR REFERENCE ONLY & NOT SPECIFIED BY THIS DRAWING. LEAD COLORS SPECIFIED BY LAYOUT DRAWING & BILL OF MATERIAL ONLY.

MATL: -			
REV: E	ADDED NOTE "LEAD COLORS FOR REFERENCE ONLY &..."		
CD0194	SCALE: -	BY: CK	REVISED: 07/28/95
	FILE: AAA00004503	TDR: 0078737	

**BALDOR ELECTRIC Co.**

CD TYPE P DC PERMANENT MAGNET MOTORS AND TACHOMETERS

CD0194