

ABB BALDOR RELIANCE III



Customer information packet

VP3316D

.25/.33HP, 1750RPM, DC, D71D, 3327P, TENV, F2

Copyright © All product information within this document is subject to ABB Motors and Mechanical Inc. copyright © protection, unless otherwise noted.

7/8/2026 9:13:37 PM

Specifications

Armature Voltage	180 V
Base Speed	1750 rpm
Enclosure	TENV
Frame	D71D
Frame Material	Steel
Output Power	0.330 HP
Agency Approvals	CE CSA UR
Ambient Temperature	40 °C
Armature Current	1.6 a
Armature Inertia	6.318 lb-ft ²
Base Indicator	Rigid
Bearing Grease Type	Polyrex EM (-20F +300F)
Drip Cover	No Drip Cover
Duty Rating	CONT
Feedback Device	NO FEEDBACK
Frame Prefix	D
Heater Indicator	No Heater
Lifting Lugs	No Lifting Lugs
Motor Lead Exit	Ko Box
Motor Lead Quantity/Wire Size	2 @ 18 AWG
Motor Lead Termination	Flying Leads
Motor Standards	IEC
Mounting Arrangement	B35
Overall Length	12.54 IN
Product Family	General Purpose
Pulley End Bearing Type	Sealed Bearing
Service Factor	1.00
Shaft Diameter	0.552 IN
Shaft Extension Location	Pulley End
Shaft Ground Indicator	No Shaft Grounding

Part Detail

Revision	S
Type	DC
Mech. spec.	33-2370
Base	
Status	PRD/A
Elec. spec.	33WGZ131
Layout	33LY2370
Eff. date	10-24-2024
CD Diagram	CD0194
Poles	00
Leads	
Proprietary	False
Created date	01-01-0001

Shaft Rotation

Reversible

Shaft Slinger Indicator

No Slinger

Nameplate

NP1049L				
CAT.NO.	VP3316D			
SPEC.	33-2370Z131			
KW/HP	.25/.33 TE	I.P.	54	
RPM	1750 1/MIN TE			
IEC FRAME	D71D	TYPE	3327P	
ARM V	180	ARM A	1.6	
FLD V		FLD A		
INSUL	F	AMB.	40	
DUTY	CONT	SUPPLY	1.3	
BRG/DE	6203	BRG/ODE	6203	
BRUSHES	2/BP5011CV01			
		BLANK		
SER.				
BLANK	IEC60034-1;-5 IC410 KG12			
APRV-CE	Y	APRV-CSA	Y	APRV-UL Y

Accessories

Part number	Description	Multiplier
TK3300	TACHO MOUNTING KIT TK3300	A8
TK3300-HPU	HPU10 MOUNTING KIT 33P/34P TENV	

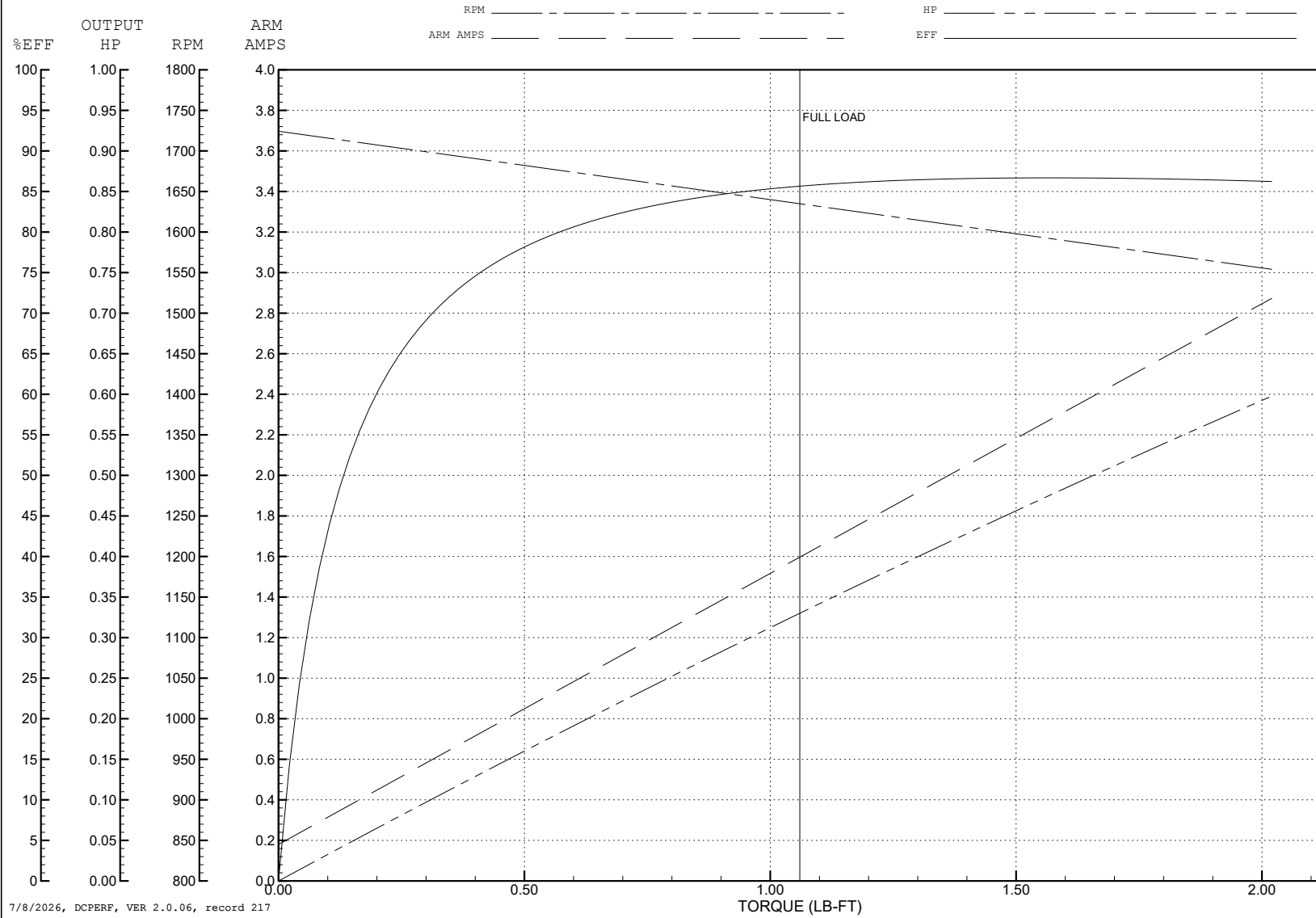
ABB Motors and Mechanical Inc.

WINDING # 33WGZ131

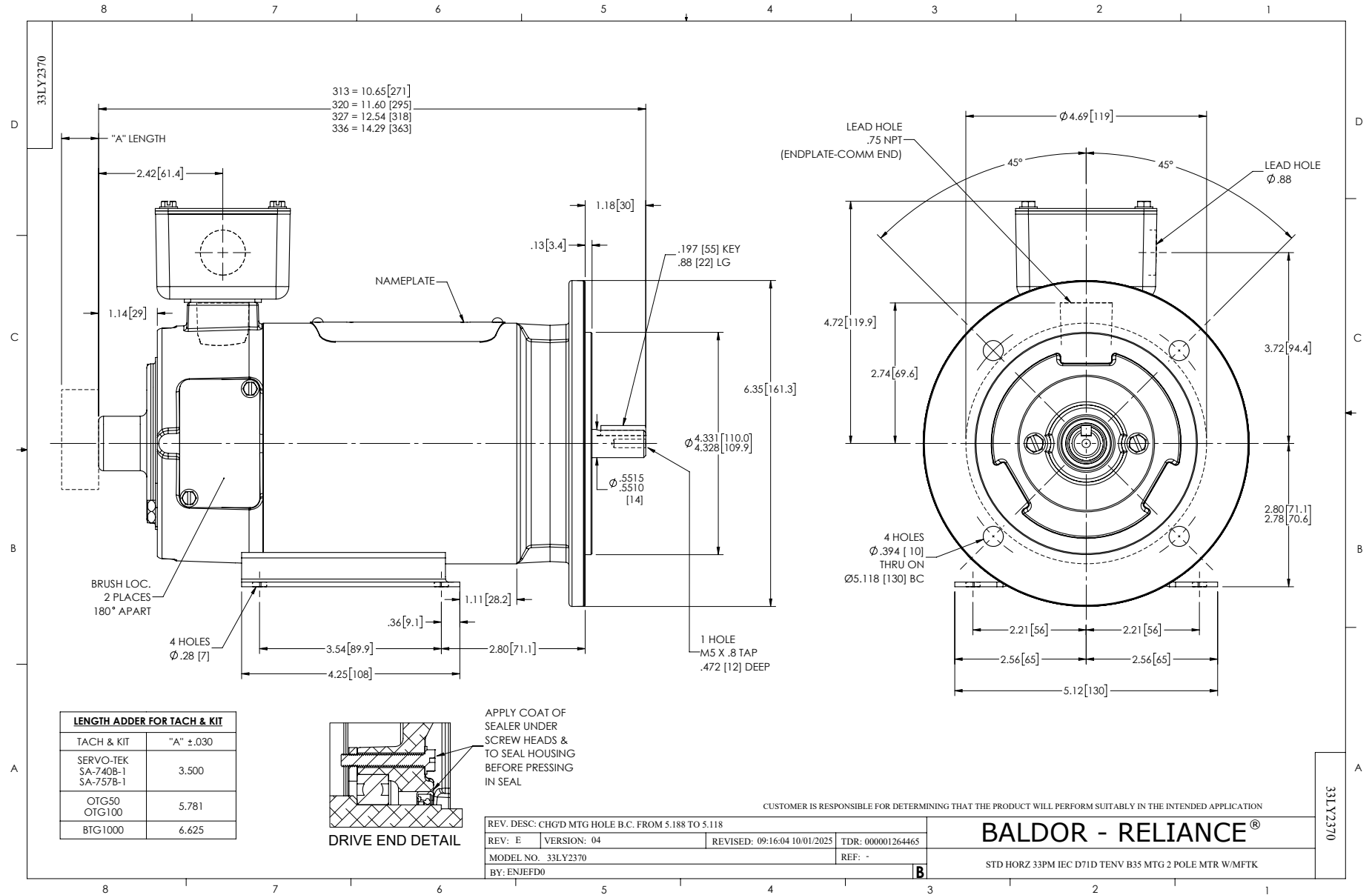
0.33 HP DC 1750 RPM 180 V 3327P

Typical performance - not guaranteed values.

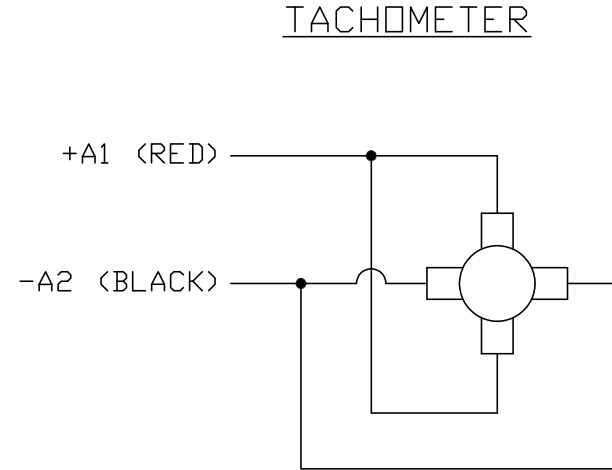
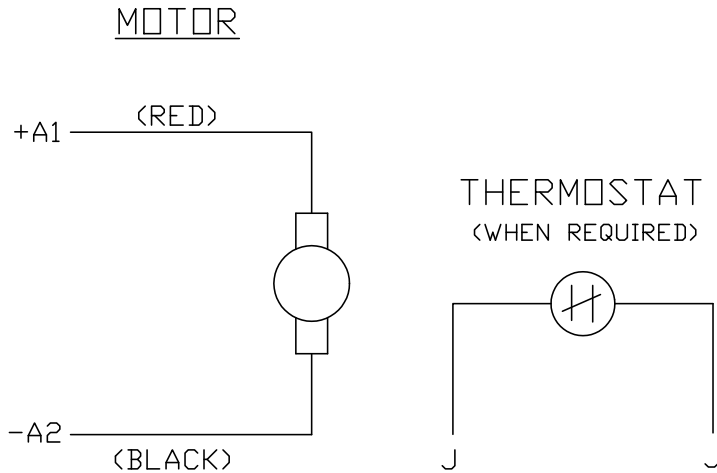
ENCL: TENV DUTY: CONT CL: F



7/8/2026, DCPERF, VER 2.0.06, record 217



CD0194



NOTES:

1. CCW ROTATION AS SHOWN FACING COMMUTATOR END. TO REVERSE MOTOR ROTATION OR TACHOMETER OUTPUT POLARITY INTERCHANGE LEADS A1(RED) & A2(BLACK)
2. LEAD COLORS FOR REFERENCE ONLY & NOT SPECIFIED BY THIS DRAWING. LEAD COLORS SPECIFIED BY LAYOUT DRAWING & BILL OF MATERIAL ONLY.

MATL: -			
REV: E	ADDED NOTE "LEAD COLORS FOR REFERENCE ONLY &..."		
CD0194	SCALE: -	BY: CK	REVISED: 07/28/95
	FILE: AAA00004503	TDR: 0078737	

BALDOR ELECTRIC Co.

CD TYPE P DC PERMANENT MAGNET MOTORS AND TACHOMETERS

CD0194