

BALDOR • RELIANCE

Customer information packet

VM3542-57

.75HP, 1425 IP54RPM, 3PH, 50HZ, 56C, 3428M, TE

Class - None

Division - Not Applicable

Specifications

Enclosure	TEFC
Frame	56C
Frame Material	Steel
Frequency	50.00 Hz
Haz Area Class and Group	None
Haz Area Division	Not Applicable
Motor Letter Type	Three Phase
Output @ Frequency	.750 HP @ 50 HZ
Phase	3
Synchronous Speed @ Frequency	1500 RPM @ 50 HZ
Voltage @ Frequency	400.0 V @ 50 HZ 230.0 V @ 50 HZ
Agency Approvals	CE CSA UR WEEE
Ambient Temperature	40 °C
Auxillary Box	No Auxillary Box
Auxillary Box Lead Termination	None
Base Indicator	No Mounting
Bearing Grease Type	Polyrex EM (-20F +300F)
Blower	None
Current @ Voltage	1.800 A @ 400.0 V 3.100 A @ 230.0 V
Design Code	B
Drip Cover	No Drip Cover
Duty Rating	CONT
Efficiency @ 100% Load	75.5 %
Electrically Isolated Bearing	Not Electrically Isolated
Feedback Device	NO FEEDBACK
Front Face Code	Standard
Front Shaft Indicator	None

Part detail

Revision	T
Type	AC
Mech. spec.	34A063
Base	
Status	PRD/A
Elec. spec.	34WG3996
Layout	34LYA063
Eff. date	12-30-2024
CD Diagram	CD0022
Poles	04
Leads	6#18
Proprietary	False
Created date	09-08-2011

Heater Indicator	No Heater
High Voltage Full Load Amps	1.8 a
Insulation Class	F
Inverter Code	Not Inverter
KVA Code	L
Lifting Lugs	No Lifting Lugs
Locked Bearing Indicator	Locked Bearing
Motor Lead Exit	Ko Box
Motor Lead Quantity/Wire Size	6 @ 18 AWG
Motor Lead Termination	Flying Leads
Motor Standards	NEMA
Motor Type	3428M
Mounting Arrangement	F1
Number of Poles	4
Overall Length	12.85 IN
Power Factor	59
Product Family	General Purpose
Pulley End Bearing Type	Ball
Pulley Face Code	C-Face
Pulley Shaft Indicator	Standard
Rodent Screen	None
RoHS Status	ROHS COMPLIANT
Service Factor	1.25
Shaft Diameter	0.625 IN
Shaft Extension Location	Pulley End
Shaft Ground Indicator	No Shaft Grounding
Shaft Rotation	Reversible
Shaft Slinger Indicator	No Slinger
Speed	1425 rpm
Speed Code	Single Speed
Starting Method	Direct on line
Thermal Device - Bearing	None
Thermal Device - Winding	None
Vibration Sensor Indicator	No Vibration Sensor

Winding Thermal 1

None

Winding Thermal 2

None

Nameplate

NP1372L									
CAT.NO.	VM3542-57								
SPEC.	34A063-3996G2								
HP	.75/KW .56								
VOLTS	230/400								
AMP	3.1/1.8 SFA 3.5/2								
R.P.M. (1/MIN)	1425								
FRAME	56C		HZ	50		PH	3		
SER.F.	1.25	CODE	L	DES	B	CL	F		
NEMA-NOM-EFF	75.5	PF	59						
RATING	40C AMB-S1 CONT								
CC		IP44 KG15 IC411							
DE	6203		ODE	6203					
ENCL	TEFC	SN							
	IE2-76.0(75%)69.9(50%)								

AC Induction Motor Performance Data

Record # 35183

Typical performance - not guaranteed values

Winding: 34WG3996-R006		Type: 3428M	Enclosure: TEFC		
Nameplate Data			400 V, 50 Hz: High Voltage Connection		
Rated Output (HP)	.75	Full Load Torque	2.71 LB-FT		
Volts	230/400	Start Configuration	direct on line		
Full Load Amps	3.1/1.8	Breakdown Torque	13.3 LB-FT		
R.P.M.	1425	Pull-up Torque	8.9 LB-FT		
Hz	50 Phase	3	Locked-rotor Torque	9.78 LB-FT	
NEMA Design Code	B	KVA Code	L	Starting Current	10.5 A
Service Factor (S.F.)	1.25	No-load Current	1.4 A		
NEMA Nom. Eff.	75.5	Power Factor	59	Line-line Res. @ 25°C	12.8 Ω
Rating - Duty	40C	AMB-CONT	Temp. Rise @ Rated Load		
S.F. Amps	3.5/2	Temp. Rise @ S.F. Load		Locked-rotor Power Factor	60
			Rotor inertia	0.0667 LB-FT ²	

Load Characteristics 400 V, 50 Hz, 0.75 HP

% of Rated Load	25	50	75	100	125	150	S.F.
Power Factor	26	39	50	59	67	72	67
Efficiency	55.9	69.9	76	78.5	80.1	80.4	80.1
Speed	1487	1476	1465	1452	1439	1425	1439
Line amperes	1.42	1.49	1.6	1.74	1.9	2.1	1.9

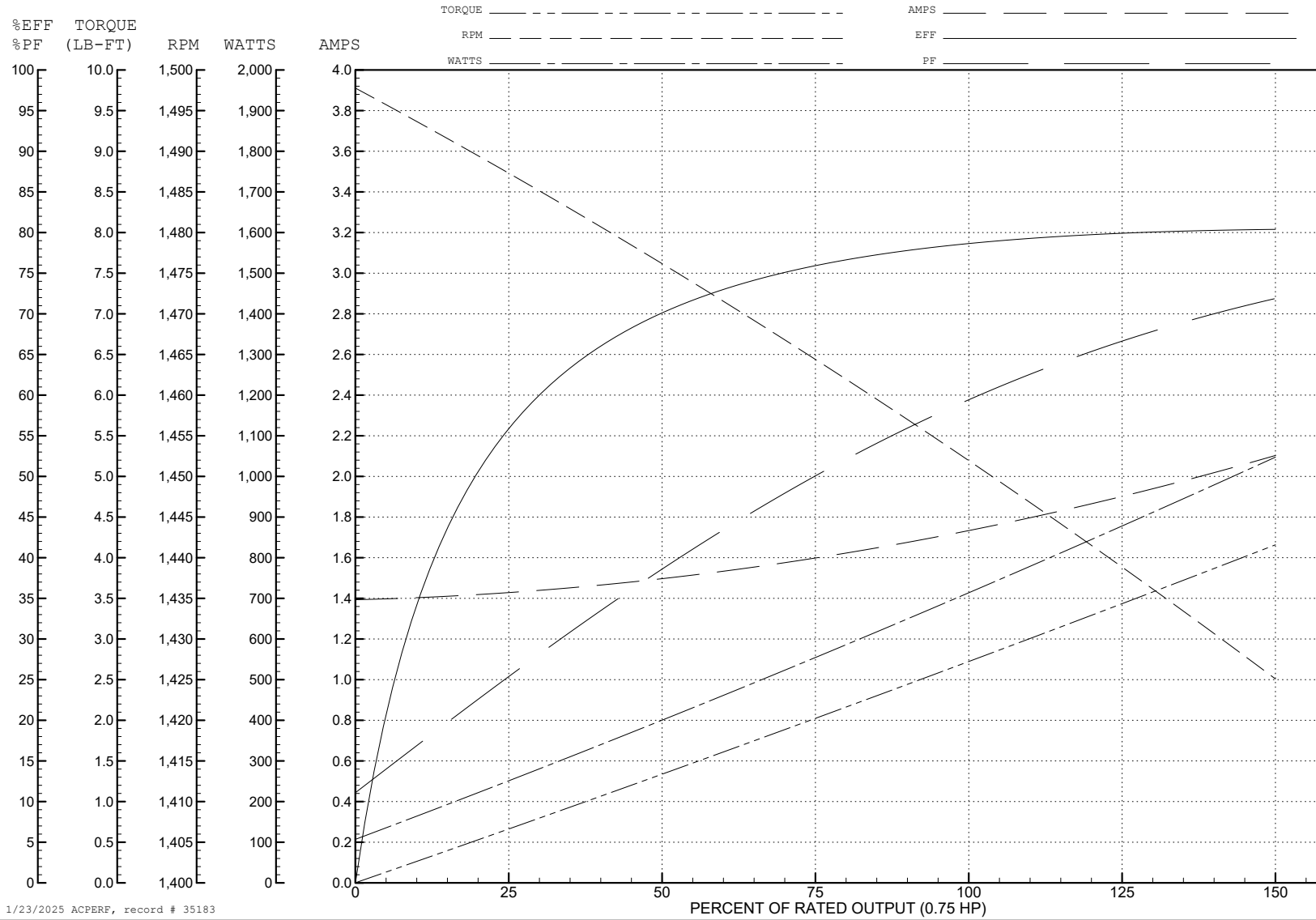
ABB Motors and Mechanical Inc.

WINDING # 34WG3996

0.75 HP 3 PH 50 HZ 1425 RPM 400 V 3428M

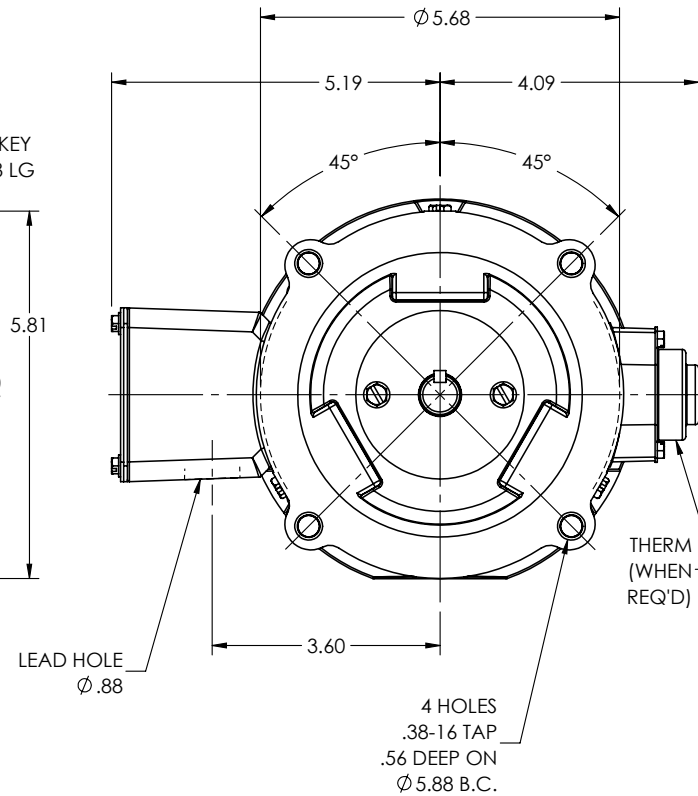
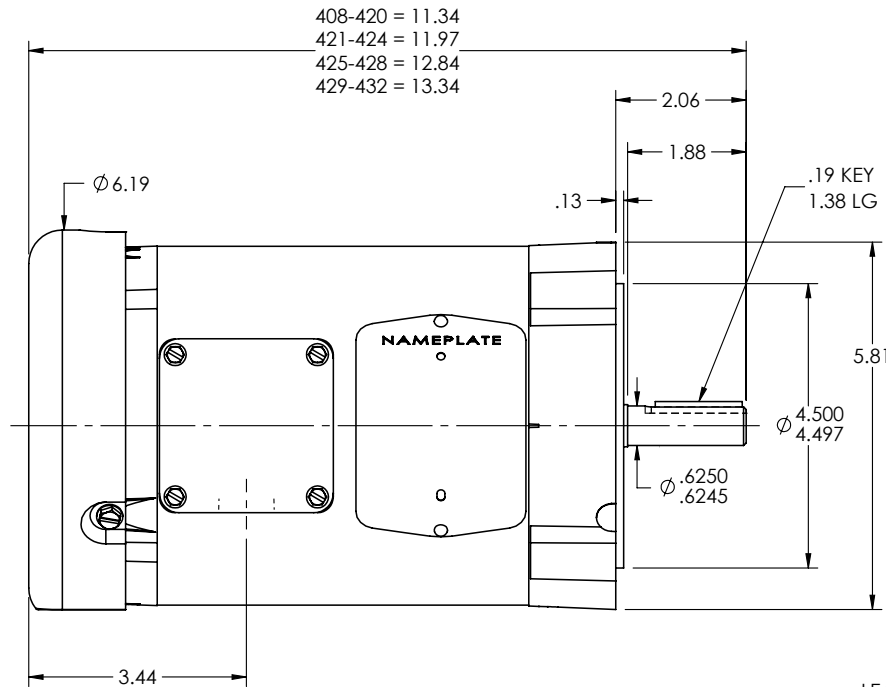
Typical performance - not guaranteed values.

TORQUES (LB-FT): PO=13.3 PU=8.9 LR=9.78 LRA=10.5



1/23/2025 ACPERF, record # 35183

34LYA063



CUSTOMER IS RESPONSIBLE FOR DETERMINING THAT THE PRODUCT WILL PERFORM SUITABLY IN THE INTENDED APPLICATION

REV. DESC: CLEAN UP DIMENSIONING

REV: P	VERSION: 05	REVISED: 08:51:08 10/31/2024	TDR: 000001243684
--------	-------------	------------------------------	-------------------

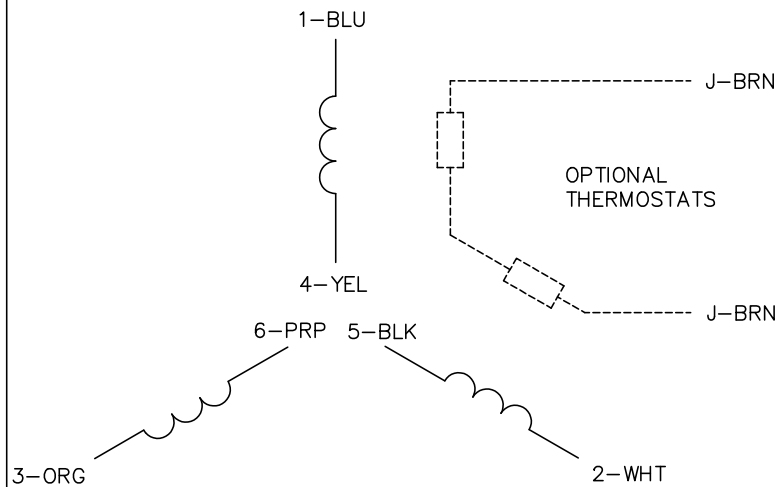
34LYA063	MODEL NO. 34LYA063	REF: -
	BY: ENJEFD0	

BALDOR - RELIANCE®

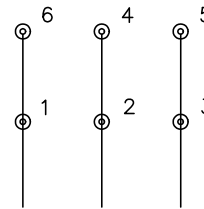
STD VERT 34M NEMA 56C TEFC

34LYA063

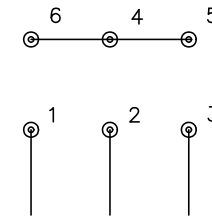
CD0022



LOW VOLTAGE
(1D)



HIGH VOLTAGE
(1Y)



NOTES:

1. INTERCHANGE ANY TWO LINE LEADS TO REVERSE ROTATION.
2. OPTIONAL THERMOSTATS ARE PROVIDED WHEN SPECIFIED.
3. ACTUAL NUMBER OF INTERNAL PARALLEL CIRCUITS MAY BE A MULTIPLE OF THOSE SHOWN ABOVE.
4. LEAD COLORS ARE OPTIONAL. LEADS MUST ALWAYS BE NUMBERED AS SHOWN.

REV. DESC: REVISE TO SHOW OPTIONAL COLORS			
REV. LTR: F	BY: JLP	REVISED: 01/21/99 3:54	TDR: 0171435
CD0022		FILE: AAA00005144	MDL: -
		MTL: -	

BALDOR ELECTRIC Co.

3PH, DV, 6 LEADS, DELTA/WYE CONNECTION

CD0022