

ABB BALDOR RELIANCE III

Customer information packet

VM3541-57

AC MTR .56KW 2P, 3PH, 240/415V, 50HZ, 56C

Class - None

Division - Not Applicable

Specifications

Enclosure	TEFC
Frame	56C
Frame Material	Steel
Frequency	50.00 Hz
Haz Area Class and Group	None
Haz Area Division	Not Applicable
Motor Letter Type	Three Phase
Output @ Frequency	.750 HP @ 50 HZ
Phase	3
Synchronous Speed @ Frequency	3000 RPM @ 50 HZ
Voltage @ Frequency	230.0 V @ 50 HZ 400.0 V @ 50 HZ
Agency Approvals	C UR US CE CURUS UKCA WEEE
Ambient Temperature	40 °C
Auxiliary Box	NO AUXILLARY BOX
Auxiliary Box Lead Termination	None
Base Indicator	No Mounting
Bearing Grease Type	Polyrex EM (-20F +300F)
Blower	None
Current @ Voltage	2.400 A @ 230.0 V 1.400 A @ 400.0 V
Design Code	B
Drip Cover	No Drip Cover
Duty Rating	CONT
Efficiency @ 100% Load	75.5 %
Electrically Isolated Bearing	Not Electrically Isolated
Feedback Device	NO FEEDBACK
Front Face Code	Standard

Part Detail

Revision	W
Type	AC
Mech. spec.	34A063
Base	
Status	PRD/A
Elec. spec.	34WGY004
Layout	34LYA063
Eff. date	09-25-2025
CD Diagram	CD0022
Poles	02
Leads	6#18
Proprietary	False
Created date	09-07-2011

Front Shaft Indicator	None
Heater Indicator	No Heater
High Voltage Full Load Amps	1.4 a
Insulation Class	F
Inverter Code	Not Inverter
KVA Code	M
Lifting Lugs	No Lifting Lugs
Locked Bearing Indicator	Locked Bearing
Motor Lead Exit	Ko Box
Motor Lead Quantity/Wire Size	6 @ 18 AWG
Motor Lead Termination	Flying Leads
Motor Standards	NEMA
Motor Type	3420M
Mounting Arrangement	F1
Number of Poles	2
Overall Length	11.35 IN
Power Factor	75
Product Family	General Purpose
Pulley End Bearing Type	Ball
Pulley Face Code	C-Face
Pulley Shaft Indicator	Standard
Rodent Screen	None
RoHS Status	ROHS COMPLIANT
Service Factor	1.25
Shaft Diameter	0.625 IN
Shaft Extension Location	Pulley End
Shaft Ground Indicator	No Shaft Grounding
Shaft Rotation	Reversible
Shaft Slinger Indicator	No Slinger
Speed	2850 rpm
Speed Code	Single Speed
Starting Method	Direct on line
Thermal Device - Bearing	None
Thermal Device - Winding	None

Vibration Sensor Indicator	No Vibration Sensor
Winding Thermal 1	None
Winding Thermal 2	None

Nameplate

NP2717L										
CAT NO	VM3541-57									
SPEC.	34A063Y004G1									
HP	.75/KW	.56	PH	3						
VOLTS	230/400									
AMP	2.4/1.4									
R.P.M. (1/MIN)	2850									
FRAME	56C	HZ	50	I.P.	44					
SER.F.	1.25	CODE	M	DES	B	CL	F			
NEMA-NOM-EFF	75.5								% (100%)	
PF	75									
RATING	40C AMB-CONT			CC						
DE BRG	6203	ODE	6203							
ENCL	TEFC	SN								
BLANK	SFA 2.8/1.6									
	KG11 IC411									
	IE2-50HZ-74.5(75%)69.5(50%)									

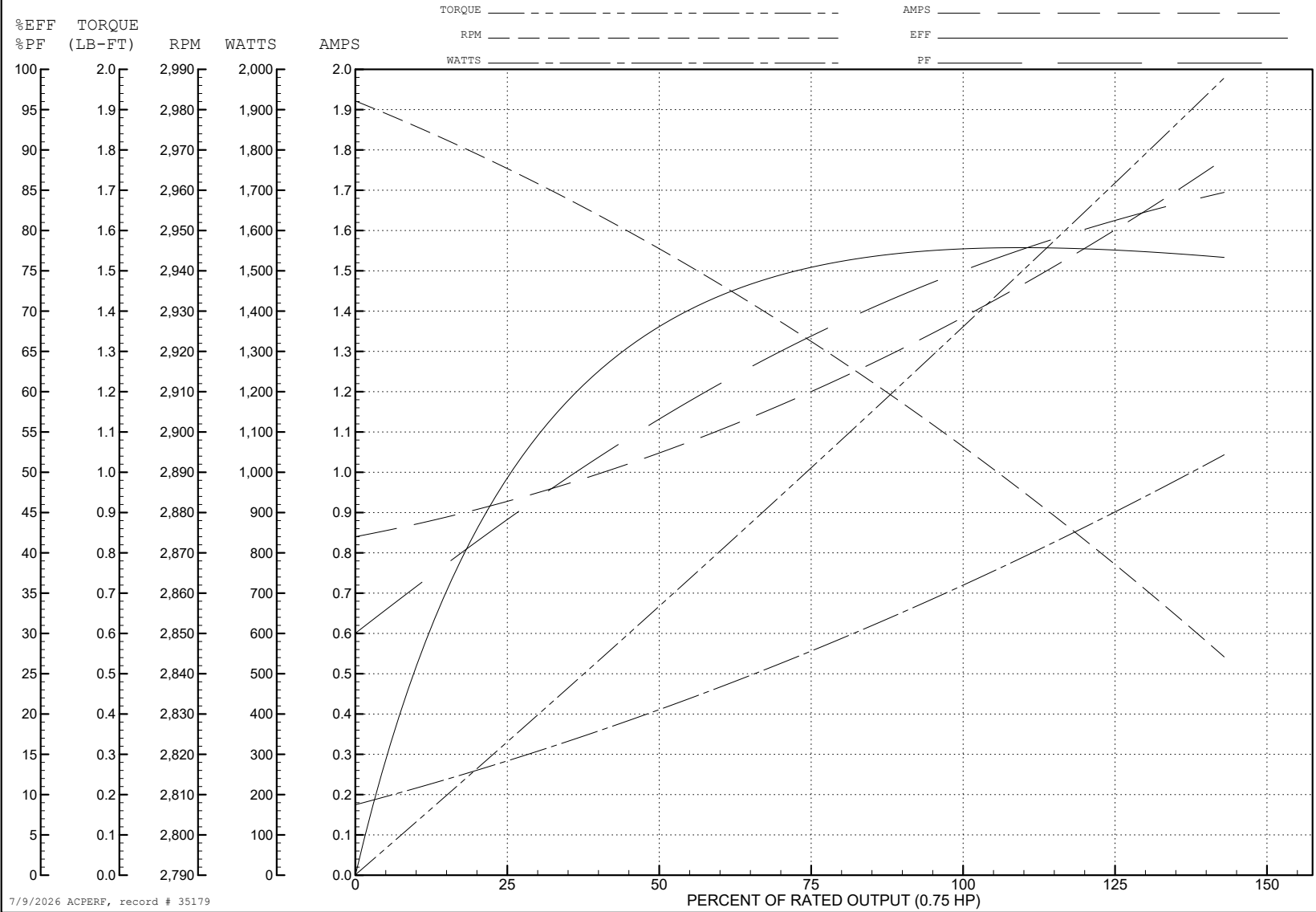
ABB Motors and Mechanical Inc.

WINDING # 34WGY004

0.75 HP 3 PH 50 HZ 2850 RPM 400 V 3420M

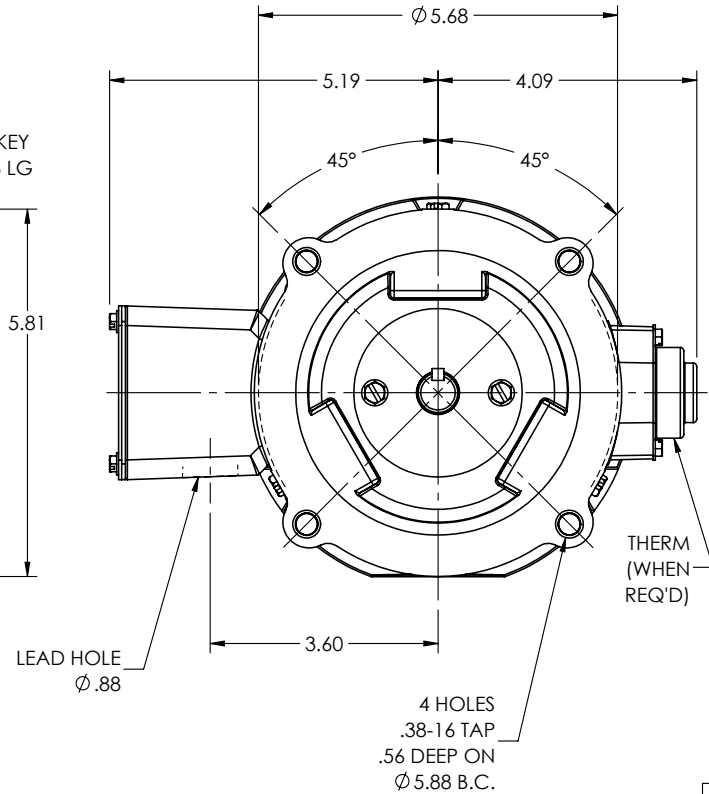
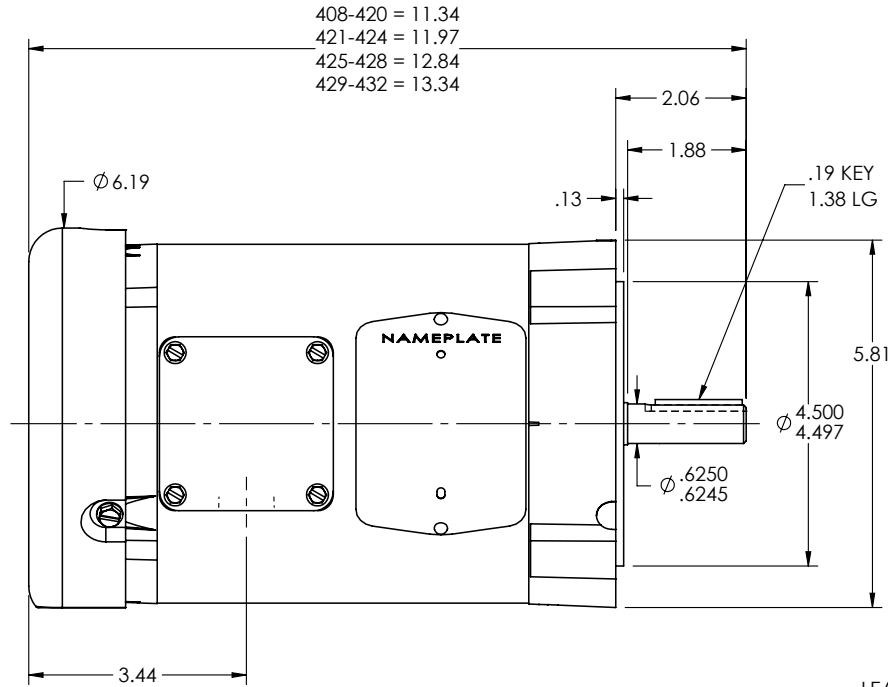
Typical performance - not guaranteed values.

TORQUES (LB-FT): PO=6.47 PU=4.81 LR=5.24 LRA=10.3



7/9/2026 ACPERF, record # 35179

34LYA063



CUSTOMER IS RESPONSIBLE FOR DETERMINING THAT THE PRODUCT WILL PERFORM SUITABLY IN THE INTENDED APPLICATION

REV. DESC: CLEAN UP DIMENSIONING

REV: P VERSION: 05 REVISED: 08:51:08 10/31/2024 TDR: 000001243684

34LYA063

MODEL NO. 34LYA063

BY: ENJEFD0

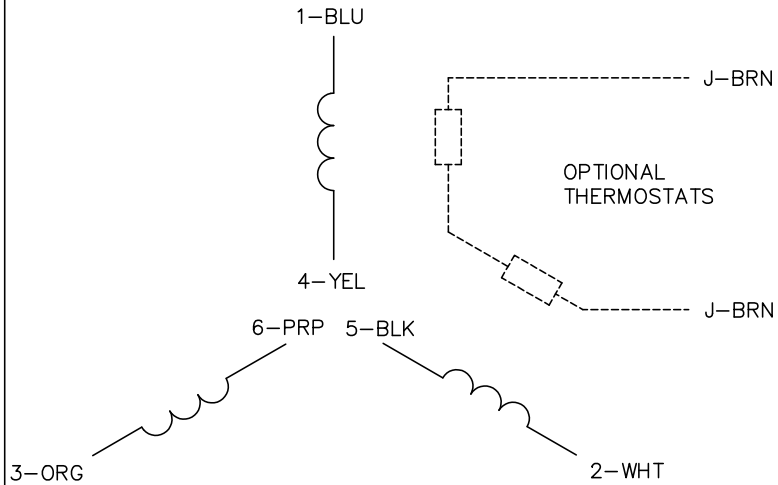
REF: -

BALDOR - RELIANCE®

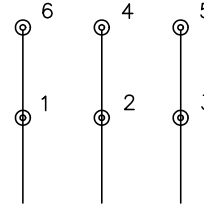
STD VERT 34M NEMA 56C TEFC

34LYA063

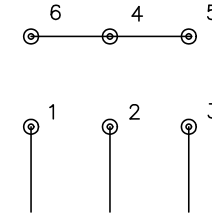
CD0022



LOW VOLTAGE
(1D)



HIGH VOLTAGE
(1Y)



NOTES:

1. INTERCHANGE ANY TWO LINE LEADS TO REVERSE ROTATION.
2. OPTIONAL THERMOSTATS ARE PROVIDED WHEN SPECIFIED.
3. ACTUAL NUMBER OF INTERNAL PARALLEL CIRCUITS MAY BE A MULTIPLE OF THOSE SHOWN ABOVE.
4. LEAD COLORS ARE OPTIONAL. LEADS MUST ALWAYS BE NUMBERED AS SHOWN.

REV. DESC: REVISE TO SHOW OPTIONAL COLORS			
REV. LTR: F	BY: JLP	REVISED: 01/21/99 3:54	TDR: 0171435
CD0022		FILE: AAA00005144	MDL: -
		MTL: -	

BALDOR ELECTRIC Co.

3PH, DV, 6 LEADS, DELTA/WYE CONNECTION

CD0022