

# ABB BALDOR RELIANCE III

---

## Customer information packet

VM3539

.5HP, 1140RPM, 3PH, 60HZ, 56C, 3418M, TEFC, F1

Class - None

Division - Not Applicable

**Specifications**

<b>Enclosure</b>	TEFC
<b>Frame</b>	56C
<b>Frame Material</b>	Steel
<b>Frequency</b>	60.00 Hz
<b>Haz Area Class and Group</b>	None
<b>Haz Area Division</b>	Not Applicable
<b>Motor Letter Type</b>	Three Phase
<b>Output @ Frequency</b>	.500 HP @ 60 HZ
<b>Phase</b>	3
<b>Synchronous Speed @ Frequency</b>	1200 RPM @ 60 HZ
<b>Voltage @ Frequency</b>	230.0 V @ 60 HZ 460.0 V @ 60 HZ
<b>Agency Approvals</b>	C UR US
<b>Ambient Temperature</b>	40 °C
<b>Auxiliary Box</b>	NO AUXILLARY BOX
<b>Auxiliary Box Lead Termination</b>	None
<b>Base Indicator</b>	No Mounting
<b>Bearing Grease Type</b>	Polyrex EM (-20F +300F)
<b>Blower</b>	None
<b>Current @ Voltage</b>	1.200 A @ 460.0 V 2.400 A @ 230.0 V 2.700 A @ 208.0 V
<b>Design Code</b>	B
<b>Drip Cover</b>	No Drip Cover
<b>Duty Rating</b>	CONT
<b>Efficiency @ 100% Load</b>	72.0 %
<b>Electrically Isolated Bearing</b>	Not Electrically Isolated
<b>Feedback Device</b>	NO FEEDBACK
<b>Front Face Code</b>	Standard
<b>Front Shaft Indicator</b>	None
<b>Heater Indicator</b>	No Heater
<b>High Voltage Full Load Amps</b>	1.2 a

**Part Detail**

<b>Revision</b>	AH
<b>Type</b>	AC
<b>Mech. spec.</b>	34A063
<b>Base</b>	
<b>Status</b>	PRD/A
<b>Elec. spec.</b>	34WG5884
<b>Layout</b>	34LYA063
<b>Eff. date</b>	02-10-2025
<b>CD Diagram</b>	CD0005
<b>Poles</b>	06
<b>Leads</b>	9#18
<b>Proprietary</b>	False
<b>Created date</b>	01-01-0001

<b>Insulation Class</b>	<b>B</b>
<b>Inverter Code</b>	<b>Not Inverter</b>
<b>KVA Code</b>	<b>J</b>
<b>Lifting Lugs</b>	<b>No Lifting Lugs</b>
<b>Locked Bearing Indicator</b>	<b>Locked Bearing</b>
<b>Motor Lead Exit</b>	<b>Ko Box</b>
<b>Motor Lead Quantity/Wire Size</b>	<b>9 @ 18 AWG</b>
<b>Motor Lead Termination</b>	<b>Flying Leads</b>
<b>Motor Standards</b>	<b>NEMA</b>
<b>Motor Type</b>	<b>3418M</b>
<b>Mounting Arrangement</b>	<b>F1</b>
<b>Number of Poles</b>	<b>6</b>
<b>Overall Length</b>	<b>11.35 IN</b>
<b>Power Factor</b>	<b>55</b>
<b>Product Family</b>	<b>General Purpose</b>
<b>Pulley End Bearing Type</b>	<b>Ball</b>
<b>Pulley Face Code</b>	<b>C-Face</b>
<b>Pulley Shaft Indicator</b>	<b>Standard</b>
<b>Rodent Screen</b>	<b>None</b>
<b>RoHS Status</b>	<b>ROHS COMPLIANT</b>
<b>Service Factor</b>	<b>1.25</b>
<b>Shaft Diameter</b>	<b>0.625 IN</b>
<b>Shaft Extension Location</b>	<b>Pulley End</b>
<b>Shaft Ground Indicator</b>	<b>No Shaft Grounding</b>
<b>Shaft Rotation</b>	<b>Reversible</b>
<b>Shaft Slinger Indicator</b>	<b>No Slinger</b>
<b>Speed</b>	<b>1140 rpm</b>
<b>Speed Code</b>	<b>Single Speed</b>
<b>Starting Method</b>	<b>Direct on line</b>
<b>Thermal Device - Bearing</b>	<b>None</b>
<b>Thermal Device - Winding</b>	<b>None</b>
<b>Vibration Sensor Indicator</b>	<b>No Vibration Sensor</b>
<b>Winding Thermal 1</b>	<b>None</b>
<b>Winding Thermal 2</b>	<b>None</b>

**Nameplate**

<b>NP1256L</b>									
<b>CAT.NO.</b>	VM3539								
<b>SPEC.</b>	34A63-5884								
<b>HP</b>	.5								
<b>VOLTS</b>	230/460								
<b>AMP</b>	2.4/1.2								
<b>RPM</b>	1140								
<b>FRAME</b>	56C	<b>HZ</b>	60	<b>PH</b>	3				
<b>SER.F.</b>	1.25	<b>CODE</b>	J	<b>DES</b>	B	<b>CLASS</b>	B		
<b>NEMA-NOM-EFF</b>	72	<b>PF</b>	55						
<b>RATING</b>	40C AMB-CONT								
<b>CC</b>									
<b>DE</b>	6203	<b>ODE</b>	6203						
<b>ENCL</b>	TEFC	<b>SN</b>							
	SFA 2.6/1.3								

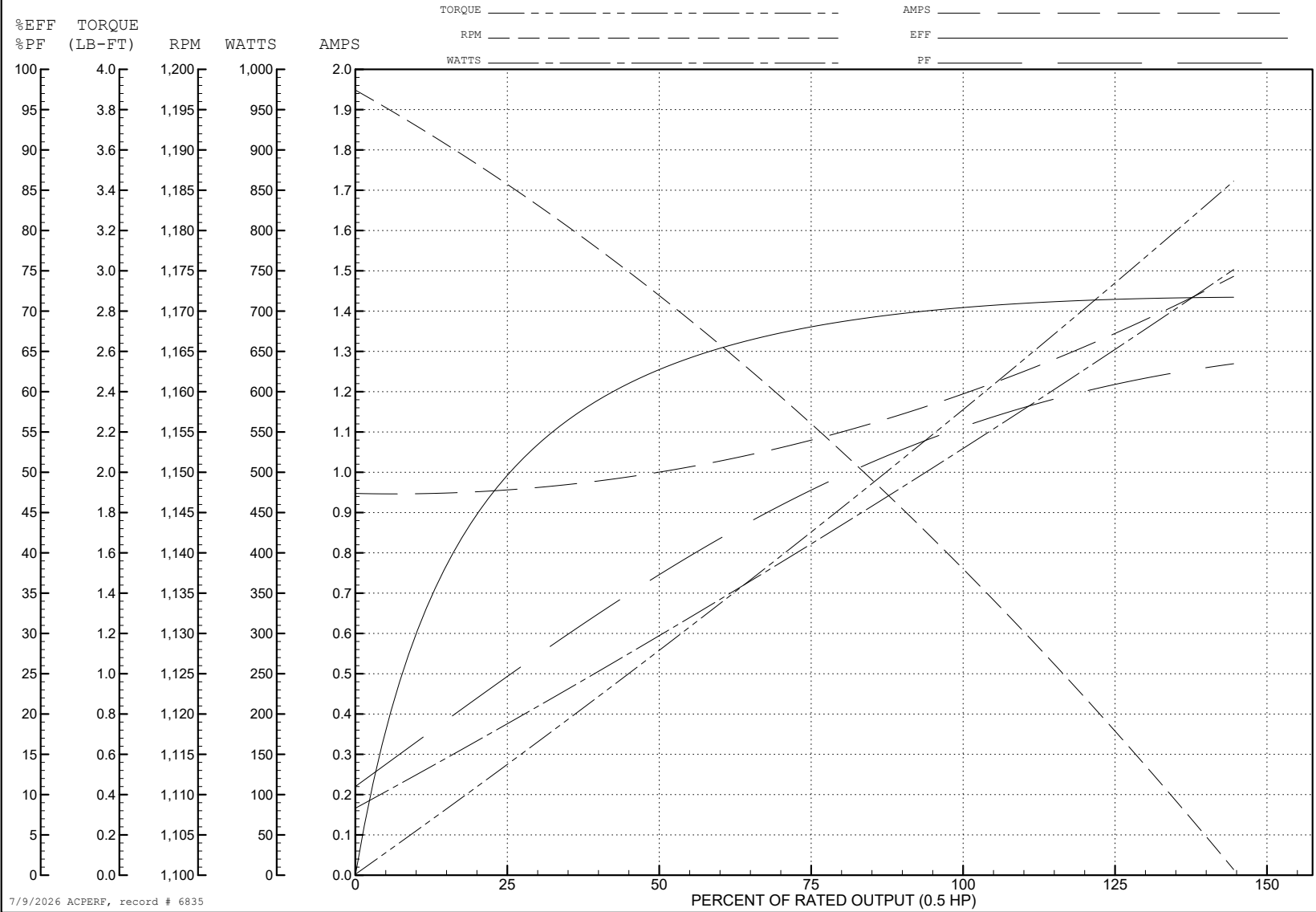
ABB Motors and Mechanical Inc.

WINDING # 34WG5884

0.5 HP 3 PH 60 HZ 1140 RPM 460 V 3418M

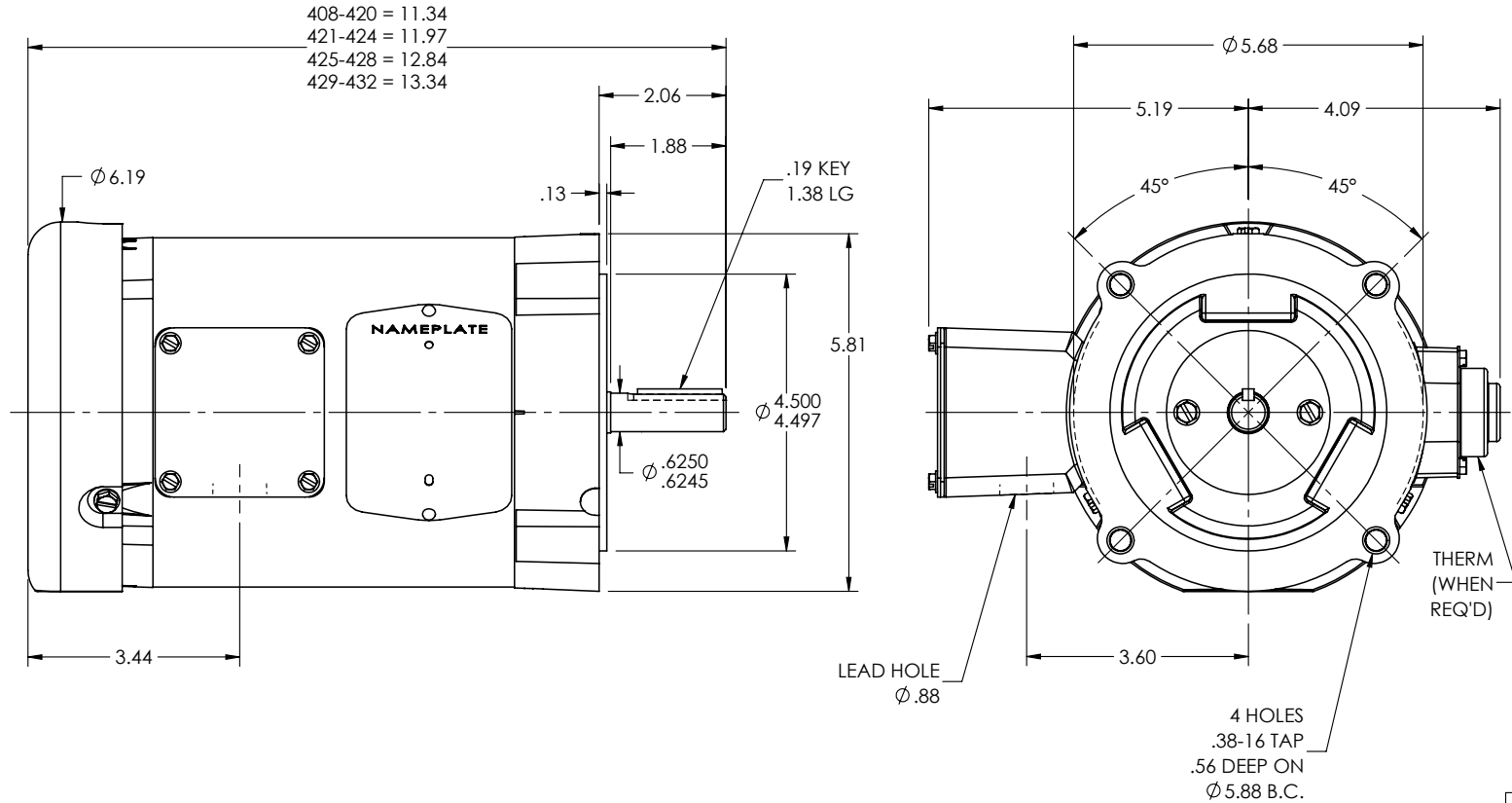
Typical performance - not guaranteed values.

TORQUES (LB-FT): PO=7.7 PU=6 LR=6.2 LRA=5



7/9/2026 ACPERF, record # 6835

34LYA063



CUSTOMER IS RESPONSIBLE FOR DETERMINING THAT THE PRODUCT WILL PERFORM SUITABLY IN THE INTENDED APPLICATION

REV. DESC: CLEAN UP DIMENSIONING

REV: P    VERSION: 05    REVISED: 08:51:08 10/31/2024    TDR: 000001243684

34LYA063

MODEL NO. 34LYA063

BY: ENJEFD0

REF: -

**BALDOR - RELIANCE®**

STD VERT 34M NEMA 56C TEFC

34LYA063

CD0005



LOW VOLTAGE  
(2Y)



LINE

HIGH VOLTAGE  
(1Y)



LINE

**NOTES:**

1. INTERCHANGE ANY TWO LINE LEADS TO REVERSE ROTATION.
2. OPTIONAL THERMOSTATS ARE PROVIDED WHEN SPECIFIED.
3. ACTUAL NUMBER OF INTERNAL PARALLEL CIRCUITS MAY BE A MULTIPLE OF THOSE SHOWN ABOVE.
4. LEAD COLORS ARE OPTIONAL. LEADS MUST ALWAYS BE NUMBERED AS SHOWN.

CD0005

REV. DESC: REVISE TO SHOW OPTIONAL COLORS			
REV. LTR: E	BY: JLP	REVISED: 01/19/99 10:15	TDR: 0171435
S00000		FILE: AAA00005140	MDL: -
		MTL: -	

**BALDOR ELECTRIC Co.**

3PH, DV, 9 LEADS