

ABB BALDOR RELIANCE III

Customer information packet

VM3537

.5HP, 3420RPM, 3PH, 60HZ, 56C, 3410M, TEFC, F1

Class - None

Division - Not Applicable

Specifications

Enclosure	TEFC
Frame	56C
Frame Material	Steel
Frequency	60.00 Hz
Haz Area Class and Group	None
Haz Area Division	Not Applicable
Motor Letter Type	Three Phase
Output @ Frequency	.500 HP @ 60 HZ
Phase	3
Synchronous Speed @ Frequency	3600 RPM @ 60 HZ
Voltage @ Frequency	230.0 V @ 60 HZ 460.0 V @ 60 HZ
Agency Approvals	C UR US
Ambient Temperature	40 °C
Auxiliary Box	NO AUXILLARY BOX
Auxiliary Box Lead Termination	None
Base Indicator	No Mounting
Bearing Grease Type	Polyrex EM (-20F +300F)
Blower	None
Current @ Voltage	.800 A @ 460.0 V 1.540 A @ 208.0 V 1.600 A @ 230.0 V
Design Code	B
Drip Cover	No Drip Cover
Duty Rating	CONT
Efficiency @ 100% Load	72.0 %
Electrically Isolated Bearing	Not Electrically Isolated
Feedback Device	NO FEEDBACK
Front Shaft Indicator	None
Heater Indicator	No Heater
High Voltage Full Load Amps	0.8 a
Insulation Class	B

Part Detail

Revision	E
Type	AC
Mech. spec.	34A063
Base	
Status	PRD/A
Elec. spec.	34WGR708
Layout	34LYA063
Eff. date	02-10-2025
CD Diagram	CD0005
Poles	02
Leads	9#18
Proprietary	False
Created date	11-20-2020

Inverter Code	Not Inverter
KVA Code	J
Lifting Lugs	No Lifting Lugs
Locked Bearing Indicator	Locked Bearing
Motor Lead Quantity/Wire Size	9 @ 18 AWG
Motor Lead Termination	Flying Leads
Motor Standards	NEMA
Motor Type	3410M
Mounting Arrangement	F1
Number of Poles	2
Overall Length	11.35 IN
Power Factor	80
Product Family	General Purpose
Pulley End Bearing Type	Ball
Pulley Face Code	C-Face
Pulley Shaft Indicator	Standard
Rodent Screen	None
RoHS Status	ROHS COMPLIANT
Service Factor	1.25
Shaft Diameter	0.625 IN
Shaft Ground Indicator	No Shaft Grounding
Shaft Rotation	Reversible
Shaft Slinger Indicator	No Slinger
Speed	3420 rpm
Speed Code	Single Speed
Starting Method	Direct on line
Thermal Device - Bearing	None
Thermal Device - Winding	None
Vibration Sensor Indicator	No Vibration Sensor
Winding Thermal 1	None
Winding Thermal 2	None

Nameplate

NP1256L										
CAT.NO.	VM3537									
SPEC.	34A063R708									
HP	.5									
VOLTS	230/460									
AMP	1.6/.8									
RPM	3420									
FRAME	56C	HZ	60		PH	3				
SER.F.	1.25	CODE	J	DES	B	CLASS	B			
NEMA-NOM-EFF	72	PF	80							
RATING	40C AMB-CONT									
CC										
DE	6203	ODE	6203							
ENCL	TEFC	SN								
	SFA 1.9/0.95A									

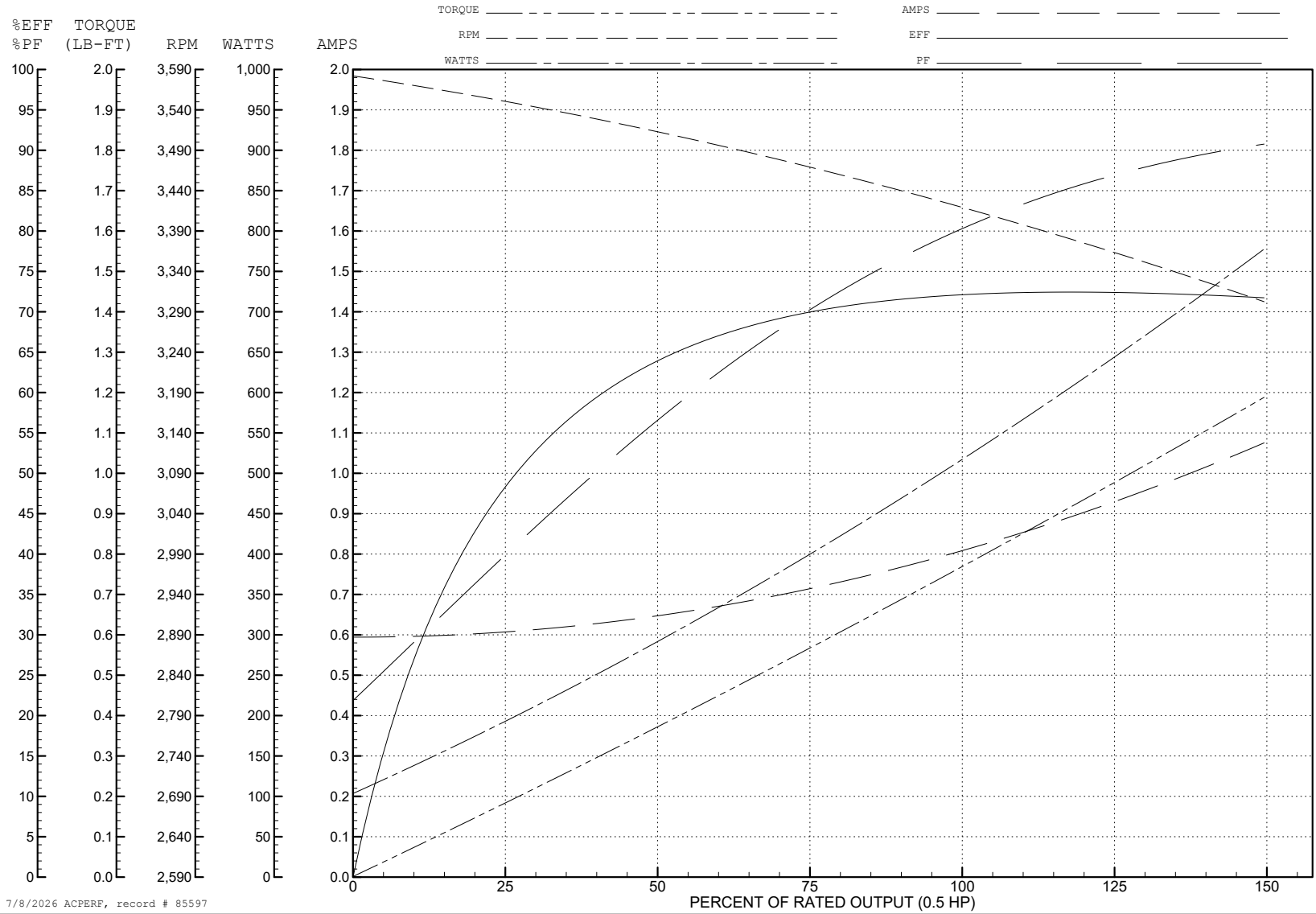
ABB Motors and Mechanical Inc.

WINDING # 34WGR708

Typical performance - not guaranteed values.

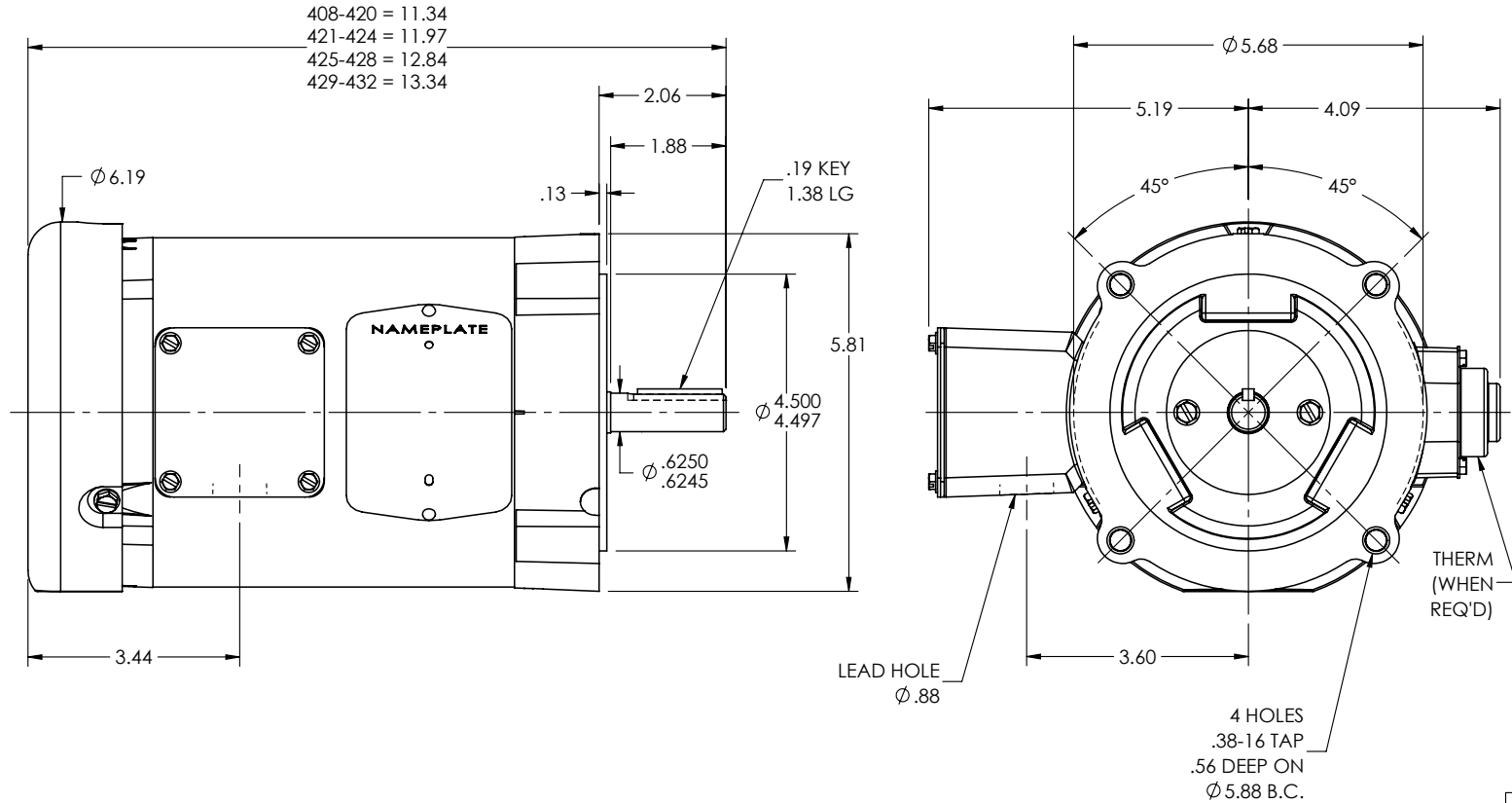
0.5 HP 3 PH 60 HZ 3420 RPM 460 V 3410M

TORQUES (LB-FT): PO=2.65 PU=1.68 LR=1.89 LRA=4.72



7/8/2026 ACPERF, record # 85597

34LYA063



CUSTOMER IS RESPONSIBLE FOR DETERMINING THAT THE PRODUCT WILL PERFORM SUITABLY IN THE INTENDED APPLICATION

REV. DESC: CLEAN UP DIMENSIONING

REV: P | VERSION: 05 | REVISED: 08:51:08 10/31/2024 | TDR: 000001243684

34LYA063

MODEL NO. 34LYA063

BY: ENJEFD0

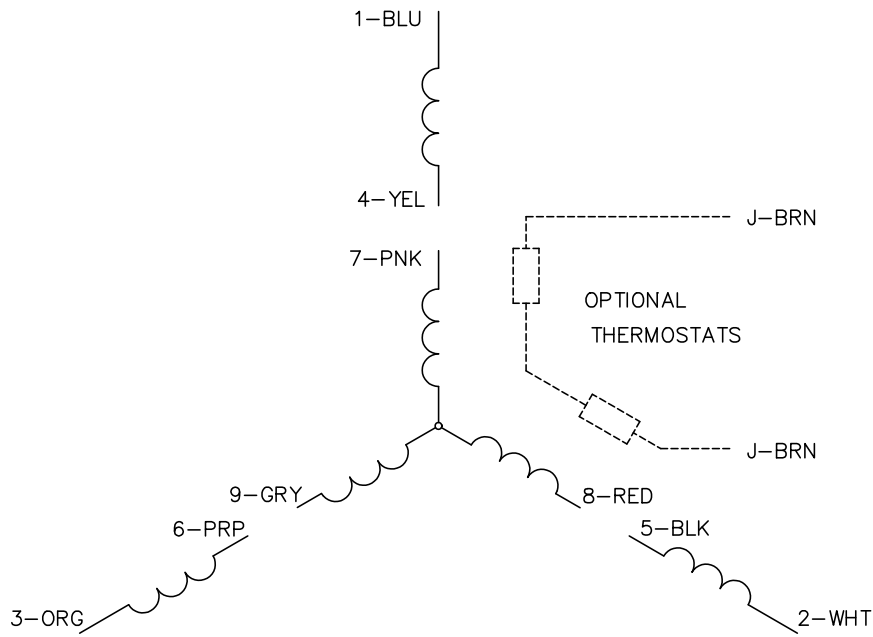
REF: -

BALDOR - RELIANCE®

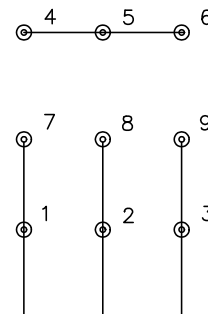
STD VERT 34M NEMA 56C TEFC

34LYA063

CD0005

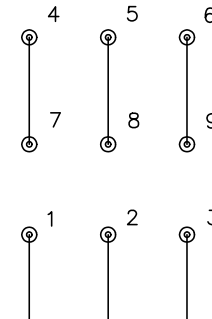


LOW VOLTAGE
(2Y)



LINE

HIGH VOLTAGE
(1Y)



LINE

NOTES:

1. INTERCHANGE ANY TWO LINE LEADS TO REVERSE ROTATION.
2. OPTIONAL THERMOSTATS ARE PROVIDED WHEN SPECIFIED.
3. ACTUAL NUMBER OF INTERNAL PARALLEL CIRCUITS MAY BE A MULTIPLE OF THOSE SHOWN ABOVE.
4. LEAD COLORS ARE OPTIONAL. LEADS MUST ALWAYS BE NUMBERED AS SHOWN.

CD0005

REV. DESC: REVISE TO SHOW OPTIONAL COLORS			
REV. LTR: E	BY: JLP	REVISED: 01/19/99 10:15	TDR: 0171435
S00000		FILE: AAA00005140	MDL: -
		MTL: -	

BALDOR ELECTRIC Co.

3PH, DV, 9 LEADS