



---

# Customer information packet

## VM3537-5

.5HP, 3450RPM, 3PH, 60HZ, 56C, 3410M, TEFC, F1

Class - None

Division - Not Applicable

## Specifications

Enclosure	TEFC
Frame	56C
Frame Material	Steel
Frequency	60.00 Hz
Haz Area Class and Group	None
Haz Area Division	Not Applicable
Motor Letter Type	Three Phase
Output @ Frequency	.500 HP @ 60 HZ
Phase	3
Synchronous Speed @ Frequency	3600 RPM @ 60 HZ
Voltage @ Frequency	575.0 V @ 60 HZ
Agency Approvals	UR CSA
Ambient Temperature	40 °C
Auxillary Box	No Auxillary Box
Auxillary Box Lead Termination	None
Base Indicator	No Mounting
Bearing Grease Type	Polyrex EM (-20F +300F)
Blower	None
Current @ Voltage	.800 A @ 575.0 V
Design Code	B
Drip Cover	No Drip Cover
Duty Rating	CONT
Efficiency @ 100% Load	68.0 %
Electrically Isolated Bearing	Not Electrically Isolated
Feedback Device	NO FEEDBACK
Front Face Code	Standard
Front Shaft Indicator	None
Heater Indicator	No Heater
High Voltage Full Load Amps	0.8 a
Insulation Class	B
Inverter Code	Not Inverter

## Part detail

Revision	Z
Type	AC
Mech. spec.	34A063
Base	
Status	PRD/A
Elec. spec.	34WG0487
Layout	34LYA063
Eff. date	02-10-2025
CD Diagram	CD0006
Poles	02
Leads	3#18
Proprietary	False
Created date	01-01-0001

<b>KVA Code</b>	J
<b>Lifting Lugs</b>	No Lifting Lugs
<b>Locked Bearing Indicator</b>	Locked Bearing
<b>Motor Lead Exit</b>	Ko Box
<b>Motor Lead Quantity/Wire Size</b>	3 @ 18 AWG
<b>Motor Lead Termination</b>	Flying Leads
<b>Motor Standards</b>	NEMA
<b>Motor Type</b>	3410M
<b>Mounting Arrangement</b>	F1
<b>Number of Poles</b>	2
<b>Overall Length</b>	11.35 IN
<b>Power Factor</b>	63
<b>Product Family</b>	General Purpose
<b>Pulley End Bearing Type</b>	Ball
<b>Pulley Face Code</b>	C-Face
<b>Pulley Shaft Indicator</b>	Standard
<b>Rodent Screen</b>	None
<b>RoHS Status</b>	ROHS COMPLIANT
<b>Service Factor</b>	1.25
<b>Shaft Diameter</b>	0.625 IN
<b>Shaft Extension Location</b>	Pulley End
<b>Shaft Ground Indicator</b>	No Shaft Grounding
<b>Shaft Rotation</b>	Reversible
<b>Shaft Slinger Indicator</b>	No Slinger
<b>Speed</b>	3450 rpm
<b>Speed Code</b>	Single Speed
<b>Starting Method</b>	Direct on line
<b>Thermal Device - Bearing</b>	None
<b>Thermal Device - Winding</b>	None
<b>Vibration Sensor Indicator</b>	No Vibration Sensor
<b>Winding Thermal 1</b>	None
<b>Winding Thermal 2</b>	None

**Nameplate**

<b>NP1256L</b>									
<b>CAT.NO.</b>	VM3537-5								
<b>SPEC.</b>	34A63-487								
<b>HP</b>	.5								
<b>VOLTS</b>	575								
<b>AMP</b>	.8								
<b>RPM</b>	3450								
<b>FRAME</b>	56C		<b>HZ</b>	60		<b>PH</b>	3		
<b>SER.F.</b>	1.25	<b>CODE</b>	J	<b>DES</b>	B	<b>CLASS</b>	B		
<b>NEMA-NOM-EFF</b>	68	<b>PF</b>	63						
<b>RATING</b>	40C AMB-CONT								
<b>CC</b>									
<b>DE</b>	6203		<b>ODE</b>	6203					
<b>ENCL</b>	TEFC	<b>SN</b>							
	SFA 1								

**AC Induction Motor Performance Data**

Record # 6584

Typical performance - not guaranteed values

<b>Winding: 34WG0487-R001</b>		<b>Type: 3410M</b>		<b>Enclosure: TEFC</b>	
<b>Nameplate Data</b>			<b>575 V, 60 Hz: Single Voltage Motor</b>		
<b>Rated Output (HP)</b>	.5	<b>Full Load Torque</b>	0.75 LB-FT		
<b>Volts</b>	575	<b>Start Configuration</b>	direct on line		
<b>Full Load Amps</b>	.8	<b>Breakdown Torque</b>	3.4 LB-FT		
<b>R.P.M.</b>	3450	<b>Pull-up Torque</b>	2.7 LB-FT		
<b>Hz</b>	60	<b>Locked-rotor Torque</b>	3 LB-FT		
<b>NEMA Design Code</b>	B	<b>Starting Current</b>	4.8 A		
<b>Service Factor (S.F.)</b>	1.25	<b>No-load Current</b>	0.72 A		
<b>NEMA Nom. Eff.</b>	68	<b>Line-line Res. @ 25°C</b>	56.4 Ω		
<b>Rating - Duty</b>	40C	<b>Temp. Rise @ Rated Load</b>	58°C		
<b>S.F. Amps</b>	1	<b>Temp. Rise @ S.F. Load</b>	69°C		

**Load Characteristics 575 V, 60 Hz, 0.5 HP**

<b>% of Rated Load</b>	<b>25</b>	<b>50</b>	<b>75</b>	<b>100</b>	<b>125</b>	<b>150</b>	<b>S.F.</b>
<b>Power Factor</b>	33	44	56	64	70	77	70
<b>Efficiency</b>	41.4	56.3	64	67.2	68.4	68.5	68.4
<b>Speed</b>	3563	3535	3501	3466	3432	3381	3432
<b>Line amperes</b>	0.73	0.78	0.81	0.88	0.96	1.06	0.96

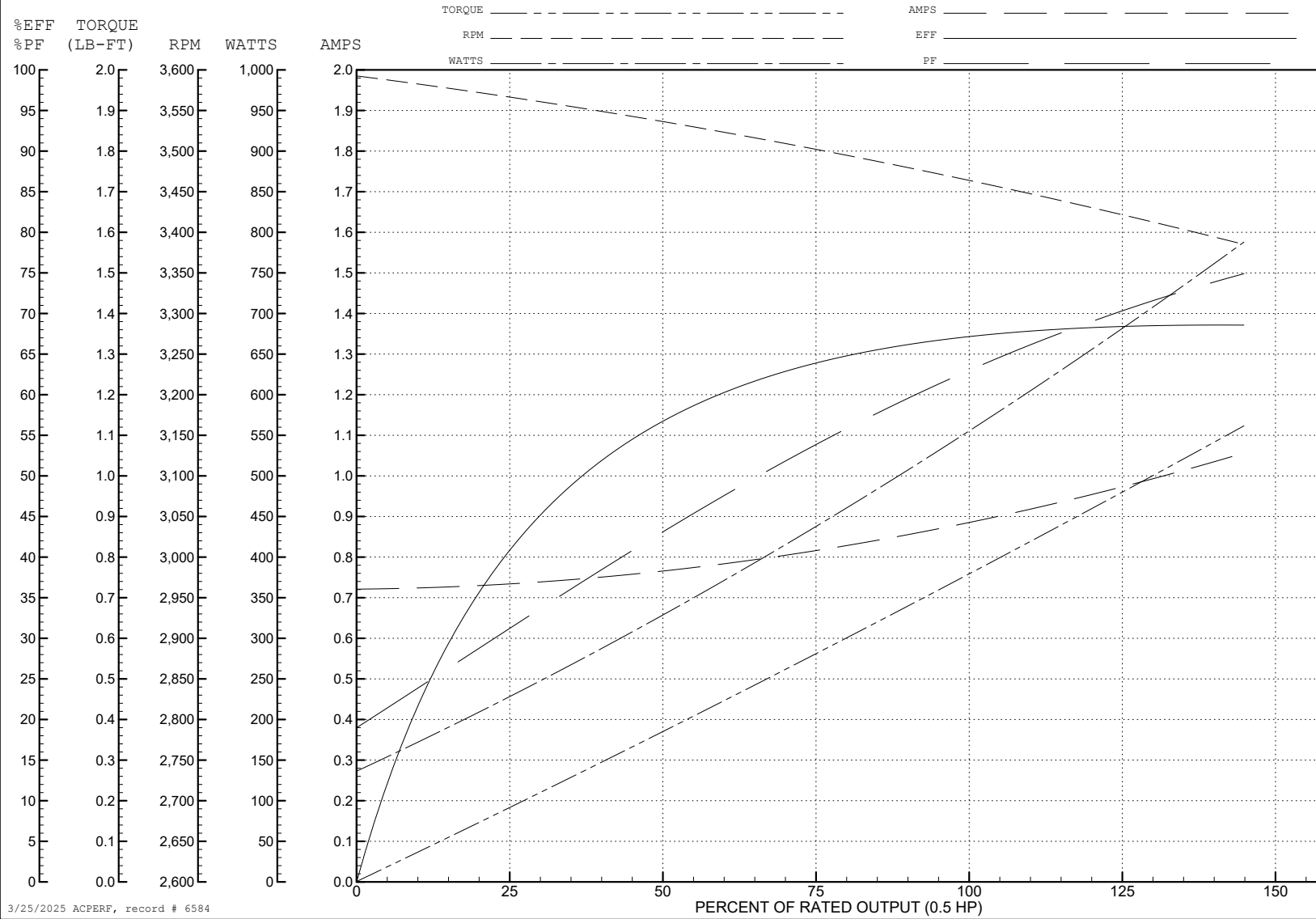
ABB Motors and Mechanical Inc.

WINDING # 34WG0487

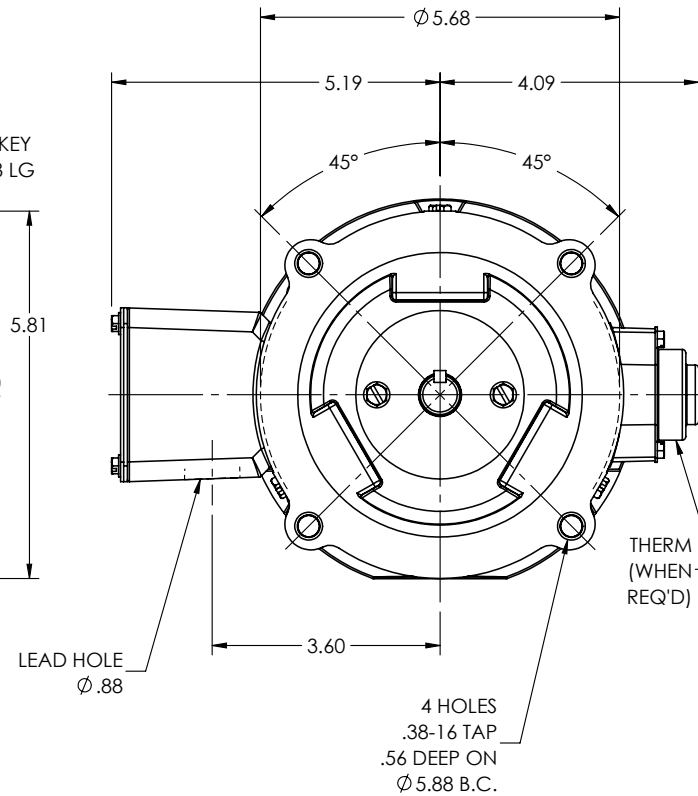
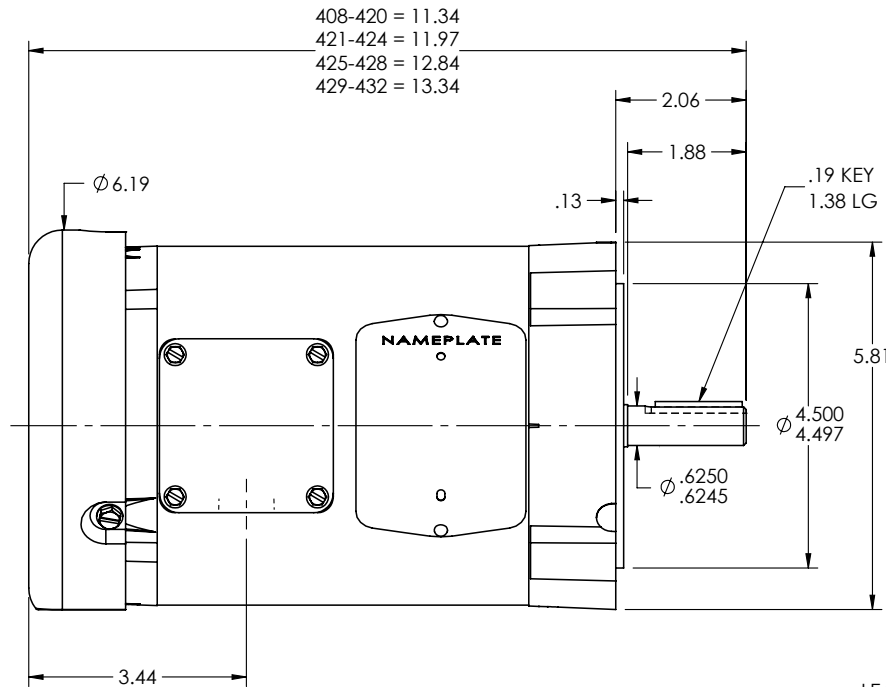
Typical performance - not guaranteed values.

0.5 HP 3 PH 60 HZ 3450 RPM 575 V 3410M

TORQUES (LB-FT): PO=3.4 PU=2.7 LR=3 LRA=4.8



34LYA063



CUSTOMER IS RESPONSIBLE FOR DETERMINING THAT THE PRODUCT WILL PERFORM SUITABLY IN THE INTENDED APPLICATION

REV. DESC: CLEAN UP DIMENSIONING

REV: P    VERSION: 05    REVISED: 08:51:08 10/31/2024    TDR: 000001243684

34LYA063    MODEL NO. 34LYA063    REF: -  
BY: ENJEFD0

**BALDOR - RELIANCE**®

STD VERT 34M NEMA 56C TEFC

34LYA063

CD0006



NOTES:

1. THREE LEAD MOTOR MAY BE EITHER WYE CONNECTED OR DELTA CONNECTED.
2. INTERCHANGE ANY TWO LINE LEADS TO REVERSE ROTATION.
3. OPTIONAL THERMOSTATS ARE PROVIDED WHEN SPECIFIED.
4. ACTUAL NUMBER OF INTERNAL PARALLEL CIRCUITS MAY VARY.
5. LEAD COLORS ARE OPTIONAL. LEADS MUST BE NUMBERED AS SHOWN.

CD0006

REV. DESC: ADD CLASS CONN00000007		
REV. LTR: E	VERSION: 01	TDR: 000001099922
FILE: \AAA\00005\141	REVISED: 10:24:49 02/19/2019	BY: ENBRIRO
MTL: -	© □	

**BALDOR - RELIANCE®**

3PH, SV, 3 LEADS, WYE OR DELTA CONNECTED

SH 1 of 1