



---

# Customer information packet

## VM3534-5

.33HP, 1725RPM, 3PH, 60HZ, 56C, 3413M, TEFC, F1

Class - None

Division - Not Applicable

## Specifications

Enclosure	TEFC
Frame	56C
Frame Material	Steel
Frequency	60.00 Hz
Haz Area Class and Group	None
Haz Area Division	Not Applicable
Motor Letter Type	Three Phase
Output @ Frequency	.330 HP @ 60 HZ
Phase	3
Synchronous Speed @ Frequency	1800 RPM @ 60 HZ
Voltage @ Frequency	575.0 V @ 60 HZ
Agency Approvals	UR CSA
Ambient Temperature	40 °C
Auxillary Box	No Auxillary Box
Auxillary Box Lead Termination	None
Base Indicator	No Mounting
Bearing Grease Type	Polyrex EM (-20F +300F)
Blower	None
Current @ Voltage	.640 A @ 575.0 V
Design Code	B
Drip Cover	No Drip Cover
Duty Rating	CONT
Efficiency @ 100% Load	68.0 %
Electrically Isolated Bearing	Not Electrically Isolated
Feedback Device	NO FEEDBACK
Front Face Code	Standard
Front Shaft Indicator	None
Heater Indicator	No Heater
High Voltage Full Load Amps	0.6 a
Insulation Class	B
Inverter Code	Not Inverter

## Part detail

Revision	AA
Type	AC
Mech. spec.	34A063
Base	
Status	PRD/A
Elec. spec.	34WG0901
Layout	34LYA063
Eff. date	02-08-2024
CD Diagram	CD0006
Poles	04
Leads	3#18
Proprietary	False
Created date	01-01-0001

<b>KVA Code</b>	L
<b>Lifting Lugs</b>	No Lifting Lugs
<b>Locked Bearing Indicator</b>	Locked Bearing
<b>Motor Lead Exit</b>	Ko Box
<b>Motor Lead Quantity/Wire Size</b>	3 @ 18 AWG
<b>Motor Lead Termination</b>	Flying Leads
<b>Motor Standards</b>	NEMA
<b>Motor Type</b>	3413M
<b>Mounting Arrangement</b>	F1
<b>Number of Poles</b>	4
<b>Overall Length</b>	11.35 IN
<b>Power Factor</b>	57
<b>Product Family</b>	General Purpose
<b>Pulley End Bearing Type</b>	Ball
<b>Pulley Face Code</b>	C-Face
<b>Pulley Shaft Indicator</b>	Standard
<b>Rodent Screen</b>	None
<b>RoHS Status</b>	ROHS COMPLIANT
<b>Service Factor</b>	1.35
<b>Shaft Diameter</b>	0.625 IN
<b>Shaft Extension Location</b>	Pulley End
<b>Shaft Ground Indicator</b>	No Shaft Grounding
<b>Shaft Rotation</b>	Reversible
<b>Shaft Slinger Indicator</b>	No Slinger
<b>Speed</b>	1725 rpm
<b>Speed Code</b>	Single Speed
<b>Starting Method</b>	Direct on line
<b>Thermal Device - Bearing</b>	None
<b>Thermal Device - Winding</b>	None
<b>Vibration Sensor Indicator</b>	No Vibration Sensor
<b>Winding Thermal 1</b>	None
<b>Winding Thermal 2</b>	None

**Nameplate**

<b>NP1256L</b>									
<b>CAT.NO.</b>	VM3534-5								
<b>SPEC.</b>	34A63-901								
<b>HP</b>	.33								
<b>VOLTS</b>	575								
<b>AMP</b>	.64								
<b>RPM</b>	1725								
<b>FRAME</b>	56C		<b>HZ</b>	60		<b>PH</b>	3		
<b>SER.F.</b>	1.35	<b>CODE</b>	L	<b>DES</b>	B	<b>CLASS</b>	B		
<b>NEMA-NOM-EFF</b>	68	<b>PF</b>	57						
<b>RATING</b>	40C AMB-CONT								
<b>CC</b>									
<b>DE</b>	6203		<b>ODE</b>	6203					
<b>ENCL</b>	TEFC	<b>SN</b>							
	SFA .7								

**AC Induction Motor Performance Data**

Record # 94834

Typical performance - not guaranteed values

Winding: 34WG0901-R019		Type: 3413M	Enclosure: XPFC	
<b>Nameplate Data</b>			<b>575 V, 60 Hz: Single Voltage Motor</b>	
Rated Output (HP)	.33	Full Load Torque	0.9904 LB-FT	
Volts	575	Start Configuration	direct on line	
Full Load Amps	.64	Breakdown Torque	4.9 LB-FT	
R.P.M.	1745	Pull-up Torque	3.35 LB-FT	
Hz	60	Locked-rotor Torque	3.5 LB-FT	
NEMA Design Code	B	Starting Current	3.6 A	
Service Factor (S.F.)	1.15	No-load Current	0.5921 A	
NEMA Nom. Eff.	67	Line-line Res. @ 25°C	78 Ω	
Rating - Duty	34WG0901-R019	Temp. Rise @ Rated Load	47°C	
S.F. Amps		Temp. Rise @ S.F. Load	50°C	
		Locked-rotor Power Factor	69.8	
		Rotor inertia	0.031 lb-ft <sup>2</sup>	

**Load Characteristics 575 V, 60 Hz, 0.33 HP**

% of Rated Load	25	50	75	100	125	150	S.F.
Power Factor	25.8953	35.9552	45.283	53.4828	57.8665	60.5621	56
Efficiency	40.0473	56.1344	64.3514	68.8858	70.6093	71.4645	69.9
Speed	1785.321	1774.521	1763.091	1751.121	1743.561	1738.34	1747
Line amperes	0.5981	0.6132	0.6377	0.6712	0.6958	0.714	0.686

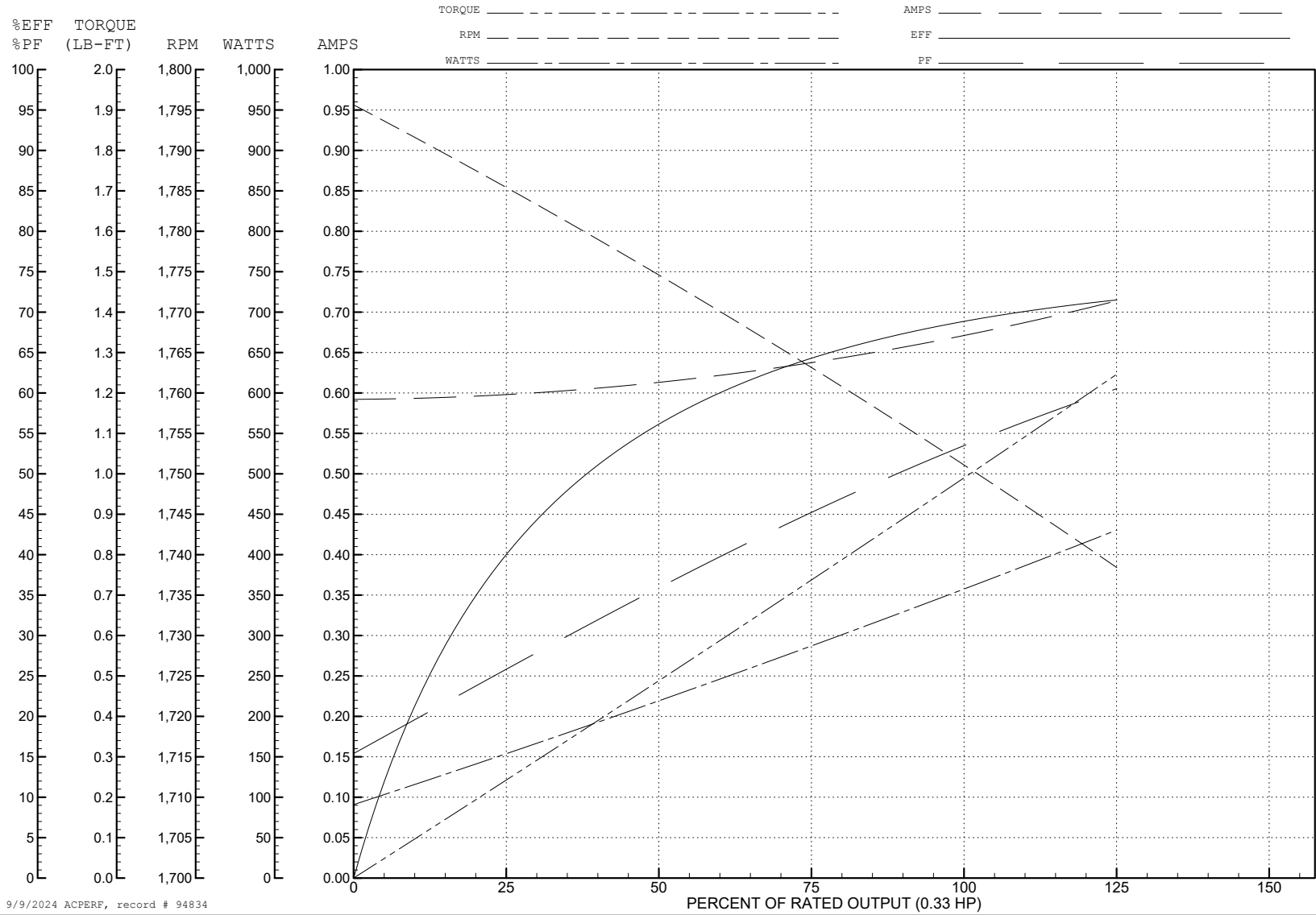
ABB Motors and Mechanical Inc.

WINDING # 34WG0901

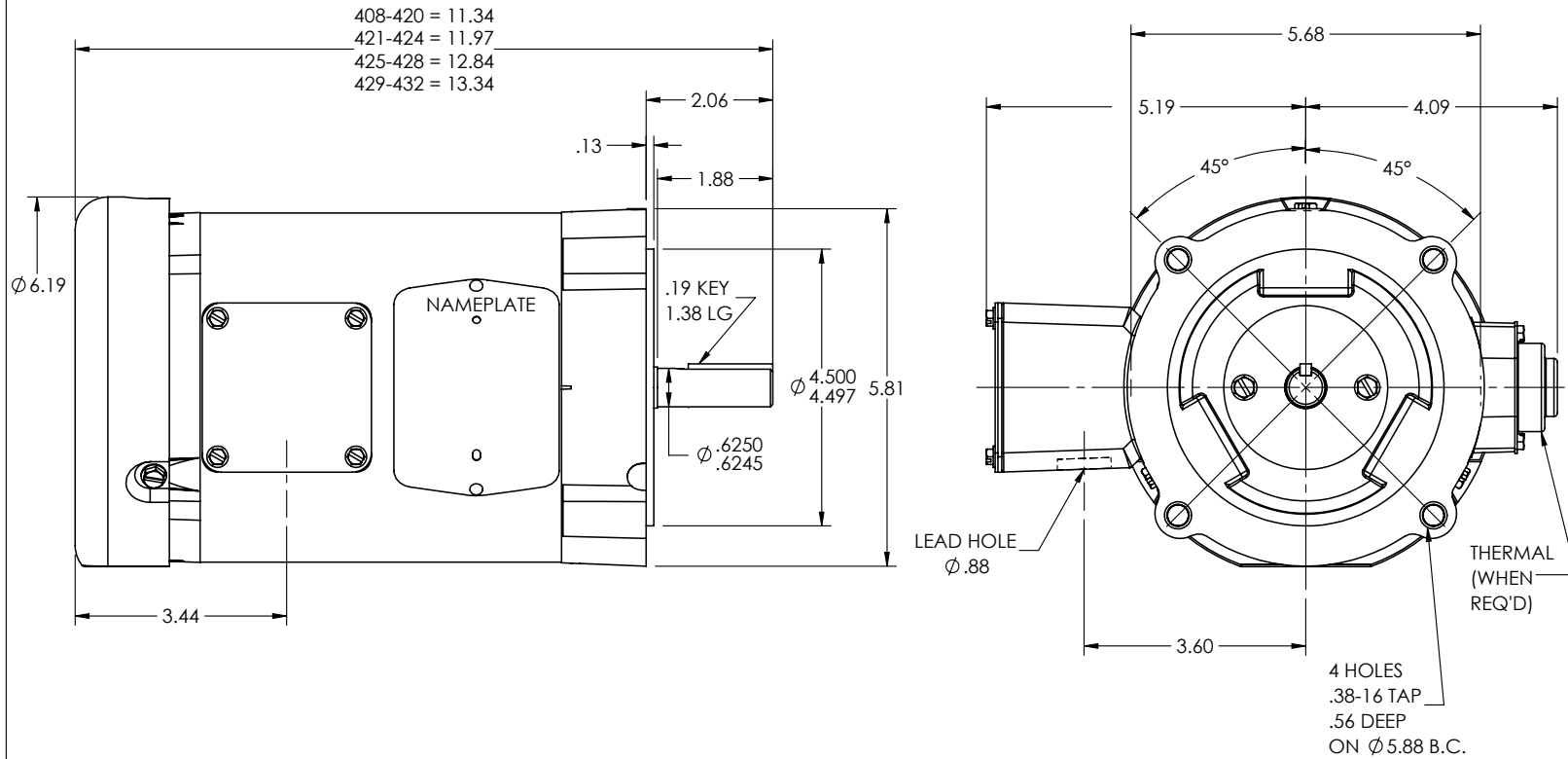
0.33 HP 3 PH 60 HZ 1745 RPM 575 V 3413M

Typical performance - not guaranteed values.

TORQUES (LB-FT): PO=4.9 PU=3.35 LR=3.5 LRA=3.6



34LYA063



CUSTOMER IS RESPONSIBLE FOR DETERMINING THAT THE PRODUCT WILL PERFORM SUITABLY IN THE INTENDED APPLICATION

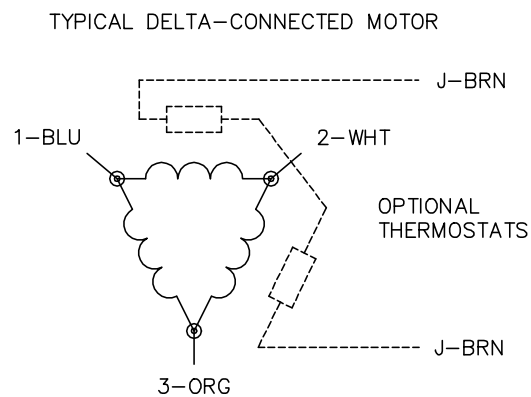
REV. DESC: LOAD TO SOLIDWORKS			
REV: N	VERSION: 04	REVISED: 01:33:59 09/21/2022	TDR: 000001194274
34LYA063	MODEL NO. 34LYA063	REF: -	
	BY: ENFRAJ0		

**BALDOR - RELIANCE®**

STD VERT 34M NEMA 56C TEFC

34LYA063

CD0006



NOTES:

1. THREE LEAD MOTOR MAY BE EITHER WYE CONNECTED OR DELTA CONNECTED.
2. INTERCHANGE ANY TWO LINE LEADS TO REVERSE ROTATION.
3. OPTIONAL THERMOSTATS ARE PROVIDED WHEN SPECIFIED.
4. ACTUAL NUMBER OF INTERNAL PARALLEL CIRCUITS MAY VARY.
5. LEAD COLORS ARE OPTIONAL. LEADS MUST BE NUMBERED AS SHOWN.

CD0006

REV. DESC: ADD CLASS CONN00000007		
REV. LTR: E	VERSION: 01	TDR: 000001099922
FILE: \AAA\00005\141	REVISED: 10:24:49 02/19/2019	BY: ENBRIRO
MTL: -	© □	

**BALDOR - RELIANCE®**

3PH, SV, 3 LEADS, WYE OR DELTA CONNECTED

SH 1 of 1