



Customer information packet

VM3211T

3HP, 1745RPM, 3PH, 60HZ, 182TC, 3536M, ODTF, F1

Class - None

Division - Not Applicable

Specifications

Enclosure	ODTF
Frame	182TC
Frame Material	Steel
Frequency	60.00 Hz
Motor Letter Type	Three Phase
Output @ Frequency	3.000 HP @ 60 HZ
Phase	3
Synchronous Speed @ Frequency	1800 RPM @ 60 HZ
Voltage @ Frequency	460.0 V @ 60 HZ 230.0 V @ 60 HZ 208.0 V @ 60 HZ
XP Class and Group	None
XP Division	Not Applicable
Agency Approvals	CSA UR
Ambient Temperature	40 °C
Auxillary Box	No Auxillary Box
Auxillary Box Lead Termination	None
Base Indicator	No Mounting
Bearing Grease Type	Polyrex EM (-20F +300F)
Blower	None
Current @ Voltage	8.900 A @ 208.0 V 8.200 A @ 230.0 V 4.100 A @ 460.0 V
Design Code	B
Drip Cover	Drip Cover
Duty Rating	CONT
Efficiency @ 100% Load	86.5 %
Electrically Isolated Bearing	Not Electrically Isolated
Feedback Device	NO FEEDBACK
Front Face Code	Drip Cover Mounting
Front Shaft Indicator	None

Part detail

Revision	H
Type	AC
Mech. spec.	35K701
Base	
Status	NLA/A
Elec. spec.	35WGP741
Layout	35LYK701
Eff. date	03-08-2016
CD Diagram	CD0005
Poles	04
Leads	9#18
Proprietary	False
Created date	06-15-2010

Heater Indicator	No Heater
High Voltage Full Load Amps	4.1 a
Insulation Class	F
Inverter Code	Inverter Ready
KVA Code	K
Lifting Lugs	No Lifting Lugs
Locked Bearing Indicator	Locked Bearing
Motor Lead Exit	Ko Box
Motor Lead Quantity/Wire Size	9 @ 18 AWG
Motor Lead Termination	Flying Leads
Motor Standards	NEMA
Motor Type	3536M
Mounting Arrangement	F1
Number of Poles	4
Overall Length	16.55 IN
Power Factor	80
Product Family	General Purpose
Pulley End Bearing Type	Ball
Pulley Face Code	C-Face
Pulley Shaft Indicator	Standard
Rodent Screen	None
RoHS Status	ROHS COMPLIANT
Service Factor	1.15
Shaft Diameter	1.125 IN
Shaft Extension Location	Pulley End
Shaft Ground Indicator	No Shaft Grounding
Shaft Rotation	Reversible
Shaft Slinger Indicator	No Slinger
Speed	1745 rpm
Speed Code	Single Speed
Starting Method	Direct on line
Thermal Device - Bearing	None
Thermal Device - Winding	None
Vibration Sensor Indicator	No Vibration Sensor

Winding Thermal 1	None
Winding Thermal 2	None

Nameplate

NP1256L									
CAT.NO.	VM3211T								
SPEC.	35K701P741H1								
HP	3								
VOLTS	208-230/460								
AMP	8.9-8.2/4.1								
RPM	1745								
FRAME	182TC		HZ	60		PH	3		
SER.F.	1.15	CODE	K	DES	B	CLASS	F		
NEMA-NOM-EFF	86.5	PF	80						
RATING	40C AMB-CONT								
CC	010A								
DE	6206		ODE	6203					
ENCL	ODTF	SN							

AC Induction Motor Performance Data

Record # 36560

Typical performance - not guaranteed values

Winding: 35WGP741-R002		Type: 3536M	Enclosure: OPSB	
Nameplate Data			460 V, 60 Hz: High Voltage Connection	
Rated Output (HP)		3	Full Load Torque	9.07 LB-FT
Volts		208-230/460	Start Configuration	direct on line
Full Load Amps		8.9-8.2/4.1	Breakdown Torque	34.3 LB-FT
R.P.M.		1745	Pull-up Torque	19.5 LB-FT
Hz	60 Phase	3	Locked-rotor Torque	26.3 LB-FT
NEMA Design Code	B KVA Code	K	Starting Current	31.5 A
Service Factor (S.F.)		1.15	No-load Current	2.04 A
NEMA Nom. Eff.	86.5 Power Factor	80	Line-line Res. @ 25°C	5.35 Ω
Rating - Duty		40C AMB-CONT	Temp. Rise @ Rated Load	54°C
S.F. Amps			Temp. Rise @ S.F. Load	65°C
			Locked-rotor Power Factor	47
			Rotor inertia	0.213 LB-FT ²

Load Characteristics 460 V, 60 Hz, 3 HP

% of Rated Load	25	50	75	100	125	150	S.F.
Power Factor	40	62	74	80	83	85	82
Efficiency	78.7	85.6	87.2	86.5	85.3	83.2	85.8
Speed	1787	1774	1760	1745	1728	1709	1735
Line amperes	2.26	2.72	3.35	4.08	5	5.98	4.63

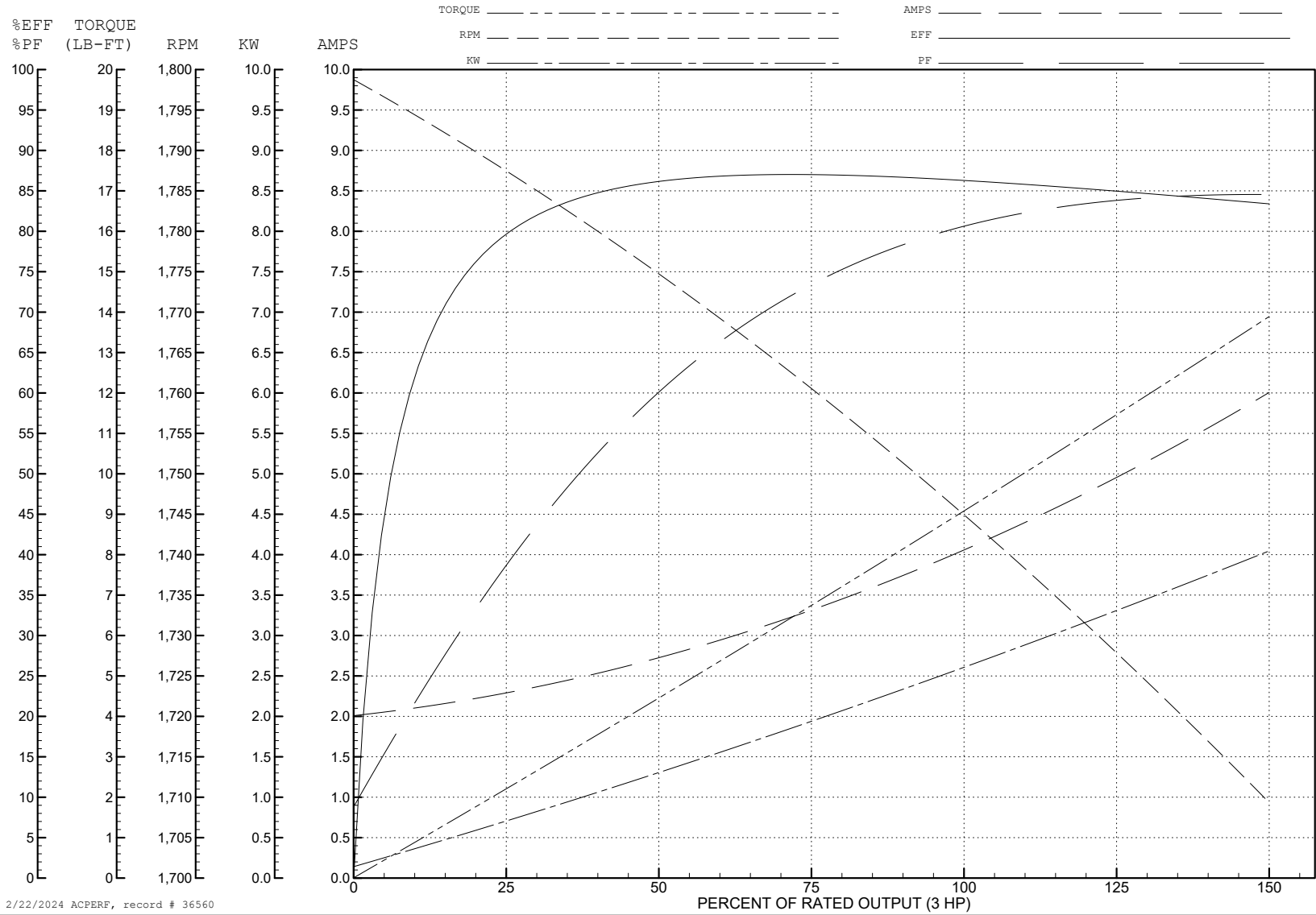
ABB Motors and Mechanical Inc.

WINDING # 35WGP741

3 HP 3 PH 60 HZ 1745 RPM 460 V 3536M

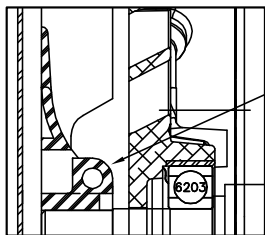
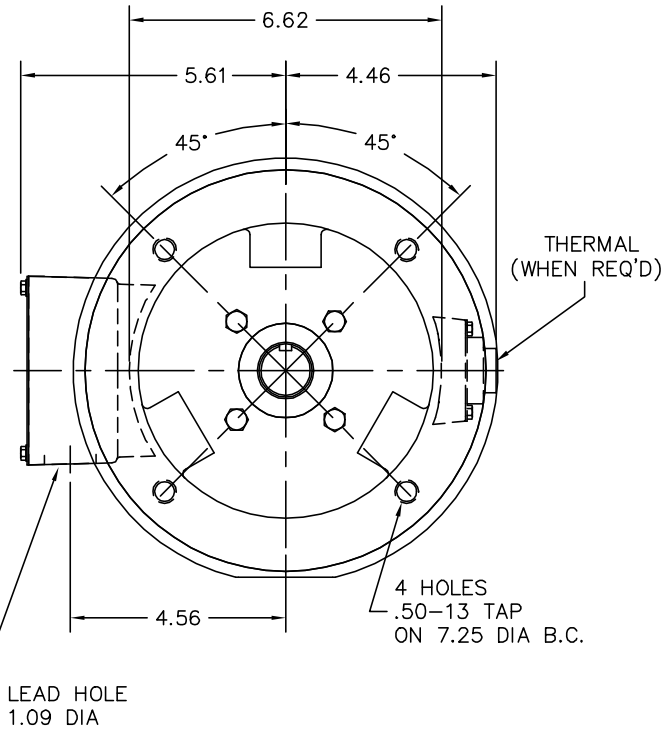
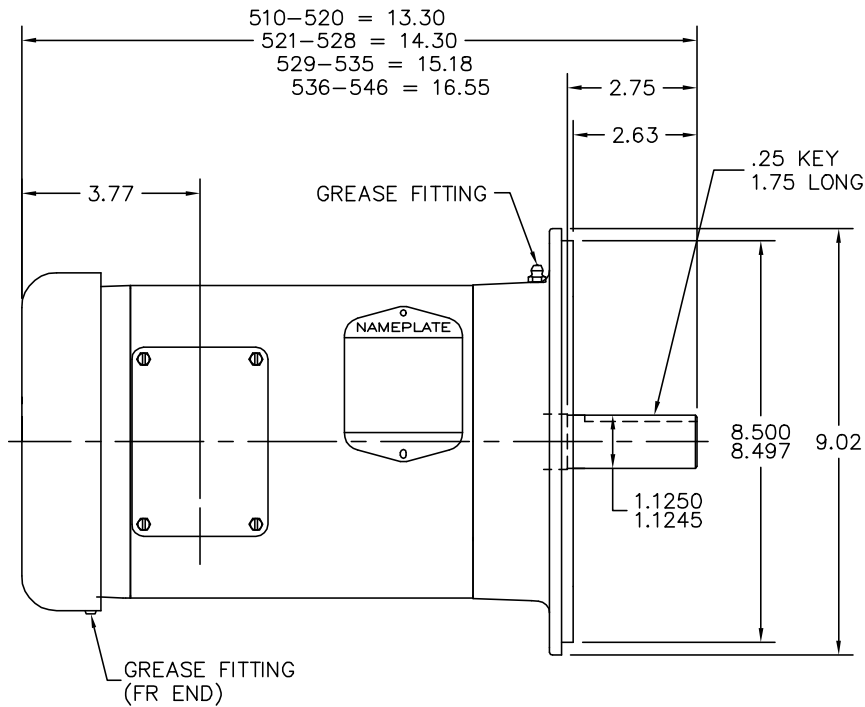
Typical performance - not guaranteed values.

TORQUES (LB-FT): PO=34.3 PU=19.5 LR=26.3 LRA=31.5

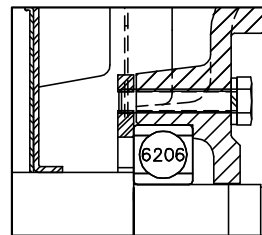


2/22/2024 ACPERF, record # 36560

35LYK701



FRONT END DETAIL



PULLEY END DETAIL

CUSTOMER IS RESPONSIBLE FOR DETERMINING THAT BALDOR'S PRODUCT WILL PERFORM SUITABLY IN THE INTENDED APPLICATION.

REV. DESC: REPLACE ENDPLATES		
REV. LTR: L	VERSION: 03	TDR: 000001041474
FILE: \AAA\00015\716	REVISED: 11:36:44 09/07/2017	BY: USJOBUR22
MTL: -		

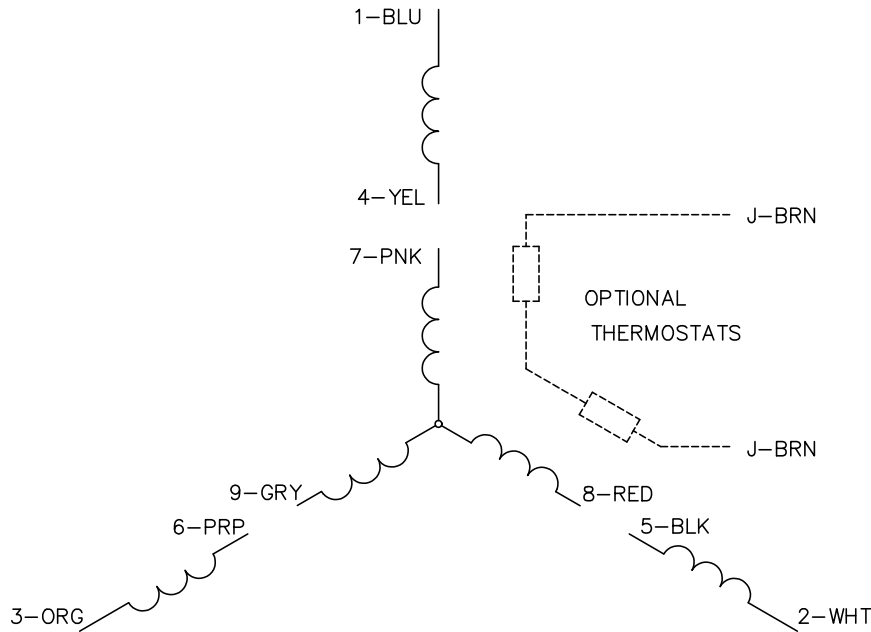
BALDOR

VERT 182-4TC ODTF 35M

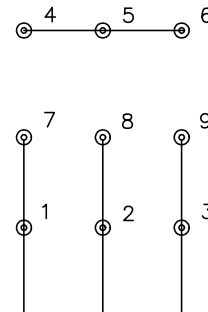
SH 1 of 1

35LYK701

CD0005

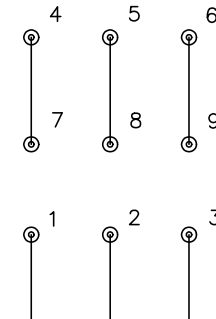


LOW VOLTAGE
(2Y)



LINE

HIGH VOLTAGE
(1Y)



LINE

NOTES:

1. INTERCHANGE ANY TWO LINE LEADS TO REVERSE ROTATION.
2. OPTIONAL THERMOSTATS ARE PROVIDED WHEN SPECIFIED.
3. ACTUAL NUMBER OF INTERNAL PARALLEL CIRCUITS MAY BE A MULTIPLE OF THOSE SHOWN ABOVE.
4. LEAD COLORS ARE OPTIONAL. LEADS MUST ALWAYS BE NUMBERED AS SHOWN.

CD0005

REV. DESC: REVISE TO SHOW OPTIONAL COLORS			
REV. LTR: E	BY: JLP	REVISED: 01/19/99 10:15	TDR: 0171435
S00000		FILE: AAA00005140	MDL: -
		MTL: -	

BALDOR ELECTRIC Co.

3PH, DV, 9 LEADS