



Customer information packet

VLECP84108T-4

30HP, 3525RPM, 3PH, 60HZ, 286LP, 1048M, TEFC, W

Class - CLI GP A,B,C,D

Division - Division II

Specifications

Enclosure	TEFC
Frame	286LP
Frame Material	Iron
Frequency	60.00 Hz
Haz Area Class and Group	CLI GP A,B,C,D
Haz Area Division	Division II
Motor Letter Type	Three Phase
Output @ Frequency	30.000 HP @ 60 HZ
Phase	3
Synchronous Speed @ Frequency	3600 RPM @ 60 HZ
Voltage @ Frequency	460.0 V @ 60 HZ
Agency Approvals	UR CCSA US CSA EEV
Ambient Temperature	40 °C
Auxillary Box	No Auxillary Box
Auxillary Box Lead Termination	None
Base Indicator	No Mounting
Bearing Grease Type	Polyrex EM (-20F +300F)
Blower	None
Constant Torque Speed Range	6
Current @ Voltage	34.000 A @ 460.0 V
Design Code	B
Drip Cover	Drip Cover
Duty Rating	CONT
Efficiency @ 100% Load	91.7 %
Electrically Isolated Bearing	Not Electrically Isolated
Feedback Device	NO FEEDBACK
Front Face Code	Standard
Front Shaft Indicator	Standard
Haz Area Temp Code	T3
Heater Indicator	No Heater

Part detail

Revision	J
Type	AC
Mech. spec.	10K389
Base	
Status	PRD/A
Elec. spec.	10WGZ522
Layout	10LYK389
Eff. date	03-21-2024
CD Diagram	CD0006
Poles	02
Leads	3#10
Proprietary	False
Created date	03-01-2017

High Voltage Full Load Amps	34.0 a
Insulation Class	F
Inverter Code	Inverter Duty
KVA Code	G
Lifting Lugs	Vertical Lifting Lugs
Locked Bearing Indicator	Locked Bearing
Max Speed	5400 rpm
Motor Lead Exit	Ko Box
Motor Lead Quantity/Wire Size	3 @ 10 AWG
Motor Lead Termination	Ring Terminals
Motor Standards	NEMA
Motor Type	1048M
Mounting Arrangement	W6
Number of Poles	2
Overall Length	36.31 IN
Power Factor	90
Product Family	Chem Process S/P 32-8 IEEE 841
Pulley End Bearing Type	Ball
Pulley Face Code	P-Base
Pulley Shaft Indicator	P-Base Groove & Key
Rodent Screen	None
RoHS Status	ROHS NON-COMPLIANT
Service Factor	1.15
Shaft Diameter	2.125 IN
Shaft Extension Location	Pulley End
Shaft Ground Indicator	No Shaft Grounding
Shaft Rotation	Reversible
Shaft Slinger Indicator	No Slinger
Speed	3525 rpm
Speed Code	Single Speed
Starting Method	Direct on line
Thermal Device - Bearing	NONE (OLD)
Thermal Device - Winding	None
Vibration Sensor Indicator	No Vibration Sensor

Winding Thermal 1

None

Winding Thermal 2

None

Nameplate

NP4332

STK.NO.	VLECP84108T-4	P/N		ENCLOSURE	TEFC
SPEC.	10K389Z522G1	CC	010A	FRAME	286LP
HP	30	CLASS	F	HZ	60
RPM	3525	RPM MAX	5400	ODE BRG	7309
VOLT	460	PH	3	DE BRG	6213
AMP	34	DES	B	D.E. BRG.	65BC02X30X
RATING	40C AMB-CONT	KVA-CODE	G	O.D.E. BRG.	45BT03X30X
NEMA-NOM-EFF	91.7	MOTOR WEIGHT	592	GREASE	POLYREX EM
G.MIN.EFF	90.2	MAX. KVAR	3.7	BLANK	
TEMP CODE	T3	# OF ROTOR BARS	28	SER.F.	1.15
TEMP =	200	# OF STATOR SLOTS	36	IP	56
CT HZ FROM	6	PF	90	INV.TYPE	PWM
HTR-VOLTS		INVERTER-TEMP-CODE	200		
HTR-AMPS		C HP FR	60	C HP TO	90
HTR-WATTS		CT HZ TO	60		
MAX. SPACE HEATER TEMP.				VT HZ FROM	3
				VT HZ TO	60

AC Induction Motor Performance Data

Record # 55456

Typical performance - not guaranteed values

Winding: 10WGZ522-R001		Type: 1048M		Enclosure: TEFC	
Nameplate Data			460 V, 60 Hz: Single Voltage Motor		
Rated Output (HP)	30	Full Load Torque	44.8 LB-FT		
Volts	460	Start Configuration	direct on line		
Full Load Amps	34	Breakdown Torque	135 LB-FT		
R.P.M.	3525	Pull-up Torque	47 LB-FT		
Hz	60 Phase	3	Locked-rotor Torque	65.2 LB-FT	
NEMA Design Code	B KVA Code	G	Starting Current	212 A	
Service Factor (S.F.)		1.15	No-load Current	8.74 A	
NEMA Nom. Eff.	91.7 Power Factor	90	Line-line Res. @ 25°C	0.24052 Ω	
Rating - Duty	40C AMB-CONT		Temp. Rise @ Rated Load	69°C	
S.F. Amps			Temp. Rise @ S.F. Load	85°C	
			Locked-rotor Power Factor	23.2	

Load Characteristics 460 V, 60 Hz, 30 HP

% of Rated Load	25	50	75	100	125	150	S.F.
Power Factor	67	83	88	90	90	90	90
Efficiency	87	91.3	92	91.7	90.9	89.7	91.2
Speed	3583	3565.7	3547.3	3526.7	3504.4	3479.1	3513
Line amperes	12.4	18.7	26.1	34.1	43.1	52.5	39.5

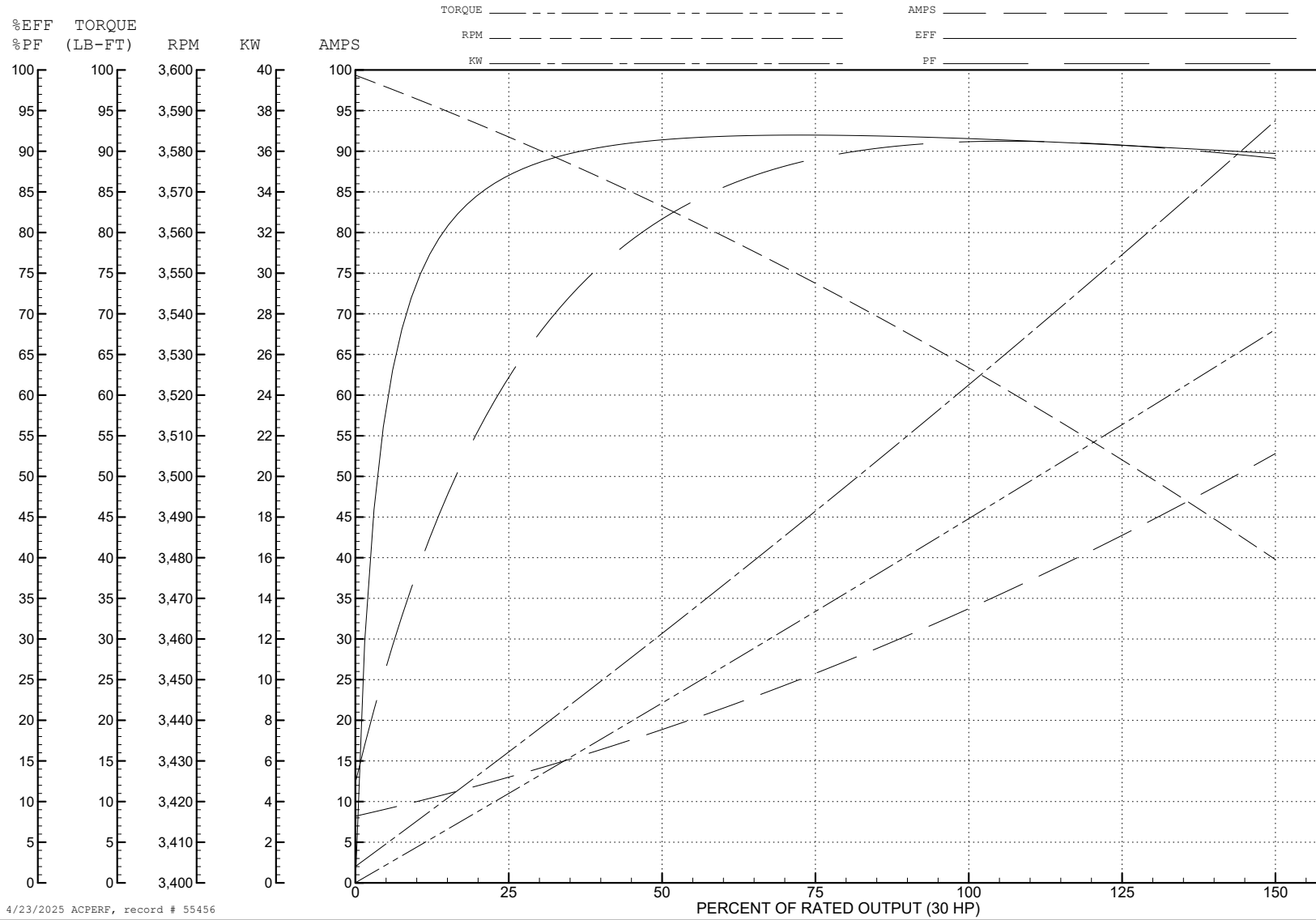
ABB Motors and Mechanical Inc.

WINDING # 10WGZ522

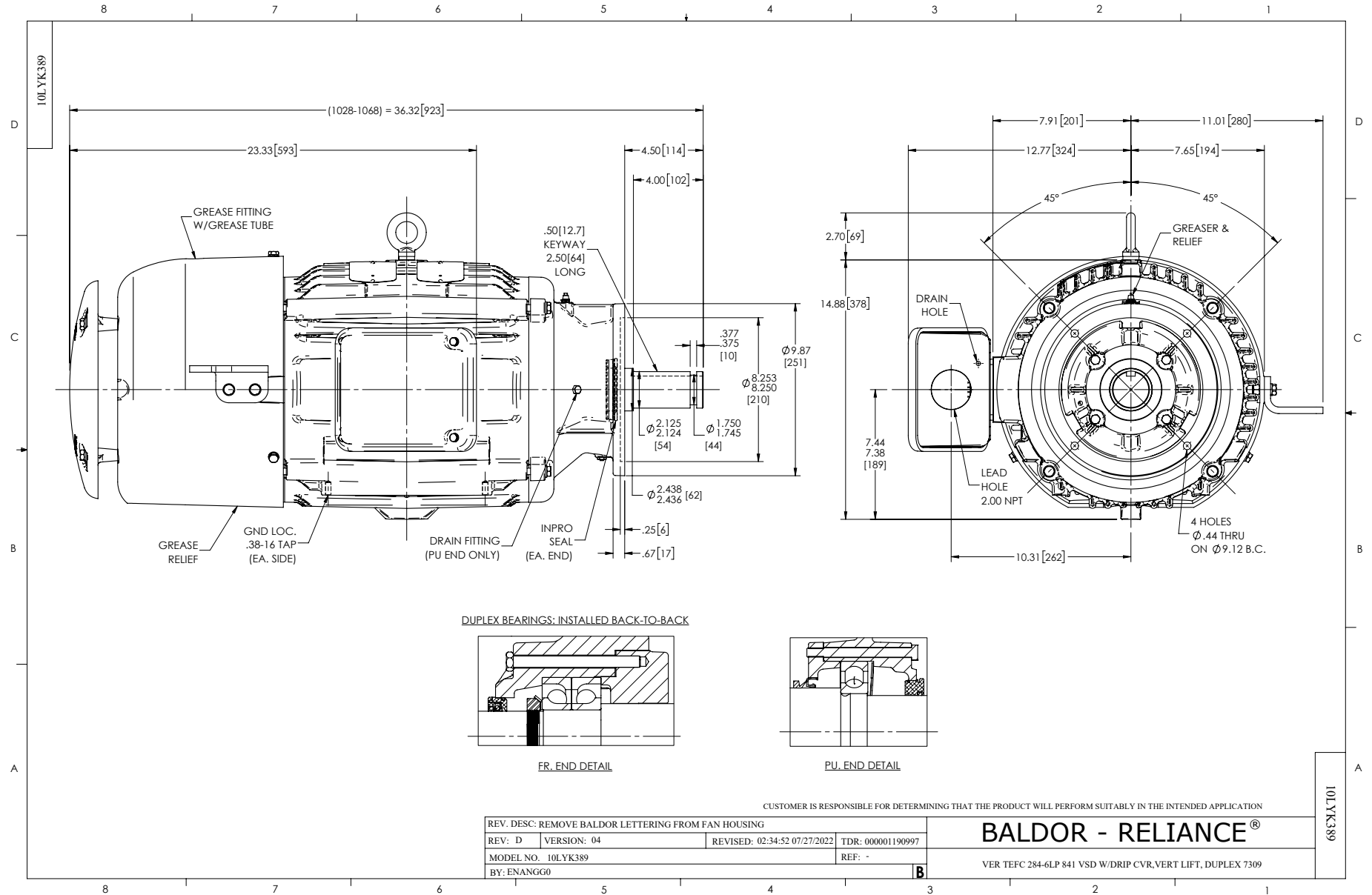
30 HP 3 PH 60 HZ 3525 RPM 460 V 1048M

Typical performance - not guaranteed values.

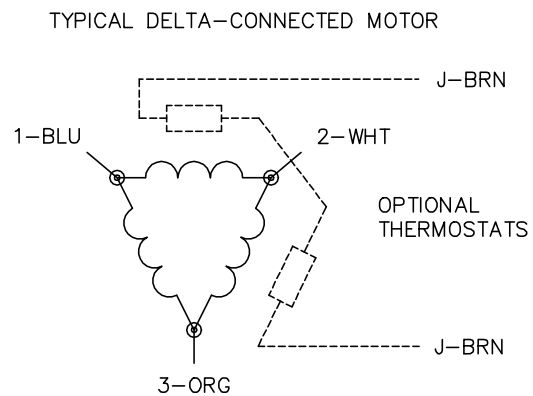
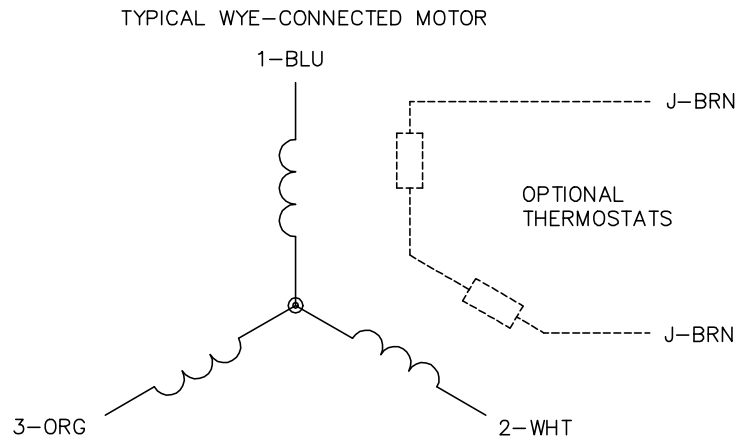
TORQUES (LB-FT): PO=135 PU=47 LR=65.2 LRA=212



4/23/2025 ACPERF, record # 55456



CD0006



NOTES:

1. THREE LEAD MOTOR MAY BE EITHER WYE CONNECTED OR DELTA CONNECTED.
2. INTERCHANGE ANY TWO LINE LEADS TO REVERSE ROTATION.
3. OPTIONAL THERMOSTATS ARE PROVIDED WHEN SPECIFIED.
4. ACTUAL NUMBER OF INTERNAL PARALLEL CIRCUITS MAY VARY.
5. LEAD COLORS ARE OPTIONAL. LEADS MUST BE NUMBERED AS SHOWN.

CD0006

REV. DESC: ADD CLASS CONN00000007		
REV. LTR: E	VERSION: 01	TDR: 000001099922
FILE: \AAA\00005\141	REVISED: 10:24:49 02/19/2019	BY: ENBRIRO
MTL: -		© □

BALDOR - RELIANCE®

3PH, SV, 3 LEADS, WYE OR DELTA CONNECTED

SH 1 of 1