

**BALDOR • RELIANCE**

---

# Customer information packet

## VLECP84104T-4

60M 4P TEFC VER 286LP IEEE841 32-8 DRIP

Class - CLI GP A,B,C,D

Division - Division II

Copyright © All product information within this document is subject to ABB Motors and Mechanical Inc. copyright © protection, unless otherwise noted.

8/10/2024 2:36:57 AM

## Specifications

Enclosure	TEFC
Frame	286LP
Frame Material	Iron
Frequency	60.00 Hz
Haz Area Class and Group	CLI GP A,B,C,D
Haz Area Division	Division II
Motor Letter Type	Three Phase
Output @ Frequency	30.000 HP @ 60 HZ
Phase	3
Synchronous Speed @ Frequency	1800 RPM @ 60 HZ
Voltage @ Frequency	460.0 V @ 60 HZ
Agency Approvals	CCSA US CSA EEV UR
Ambient Temperature	40 °C
Auxillary Box	No Auxillary Box
Auxillary Box Lead Termination	None
Base Indicator	No Mounting
Bearing Grease Type	Polyrex EM (-20F +300F)
Blower	None
Constant Torque Speed Range	1
Current @ Voltage	36.000 A @ 460.0 V
Design Code	B
Drip Cover	Drip Cover
Duty Rating	CONT
Efficiency @ 100% Load	93.6 %
Electrically Isolated Bearing	Not Electrically Isolated
Enclosure Modification	841
Feedback Device	NO FEEDBACK
Front Shaft Indicator	Standard
Haz Area Temp Code	T3C
Heater Indicator	No Heater

## Part detail

Revision	H
Type	AC
Mech. spec.	10K389
Base	
Status	PRD/A
Elec. spec.	10WGZ438
Layout	10LYK389
Eff. date	02-29-2024
CD Diagram	CD0006
Poles	04
Leads	3#10
Proprietary	False
Created date	03-25-2019

High Voltage Full Load Amps	36.0 a
Insulation Class	F
Inverter Code	Inverter Duty
IP Rating	IP56
KVA Code	G
Lifting Lugs	Vertical Lifting Lugs
Locked Bearing Indicator	Locked Bearing
Max Speed	2700 rpm
Motor Lead Quantity/Wire Size	3 @ 10 AWG
Motor Lead Termination	Ring Terminals
Motor Standards	NEMA
Motor Type	1060M
Mounting Arrangement	V1
Number of Poles	4
Overall Length	36.31 IN
Power Factor	84
Product Family	Chem Process S/P 32-8 IEEE 841
Pulley End Bearing Type	Ball
Pulley Face Code	P-Base
Pulley Shaft Indicator	P-Base Groove & Key
Rodent Screen	None
RoHS Status	ROHS NON-COMPLIANT
Service Factor	1.15
Shaft Diameter	2.125 IN
Shaft Ground Indicator	No Shaft Grounding
Shaft Rotation	Reversible
Shaft Slinger Indicator	No Slinger
Speed	1770 rpm
Speed Code	Single Speed
Starting Method	Direct on line
Thermal Device - Bearing	None
Thermal Device - Winding	None
Vibration Sensor Indicator	No Vibration Sensor
Winding Thermal 1	None

**Winding Thermal 2**

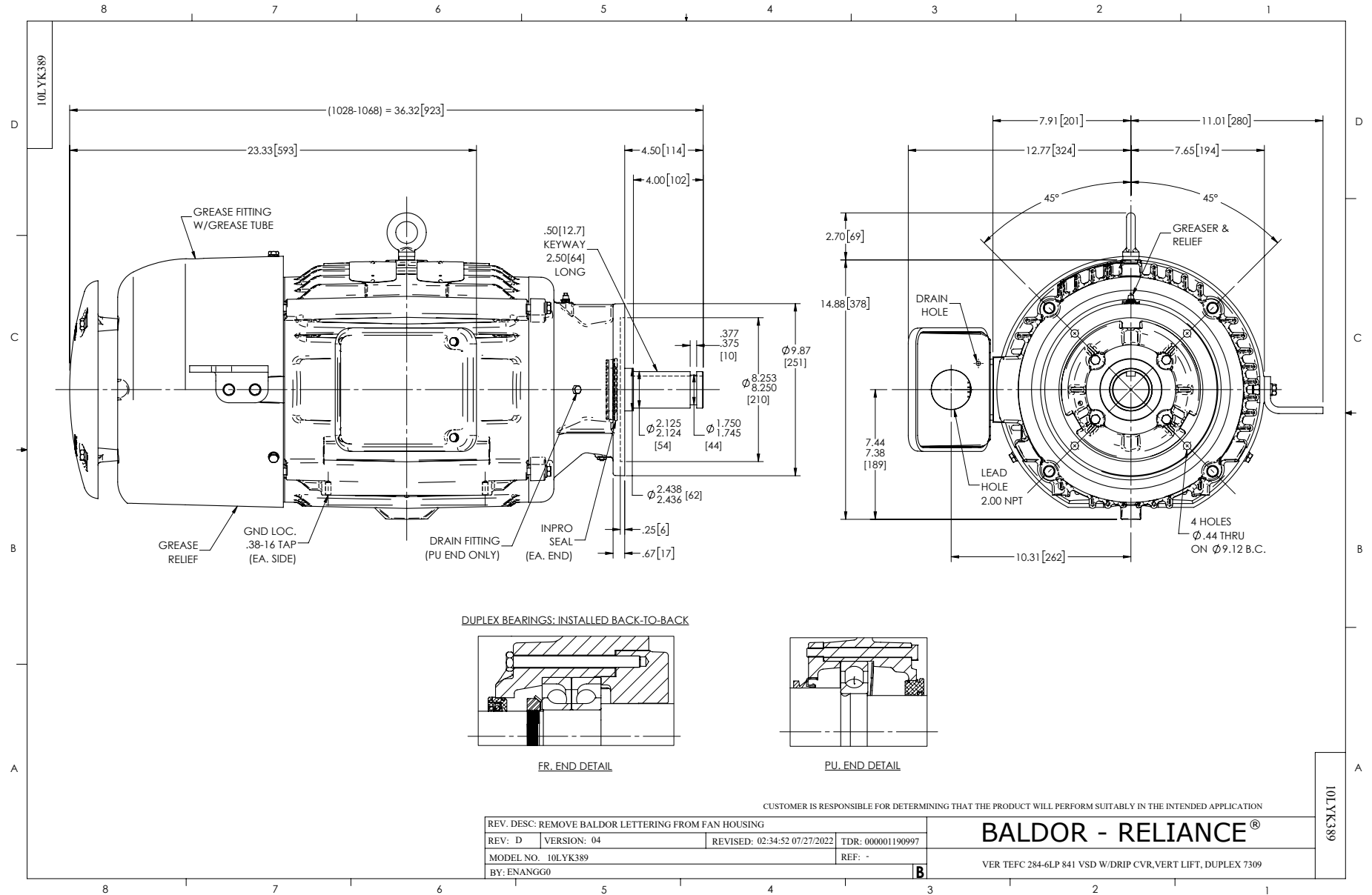
**None**

---

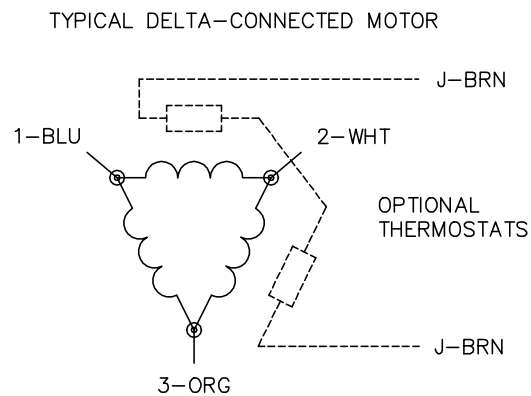
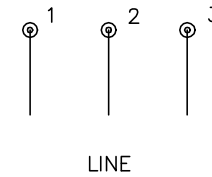
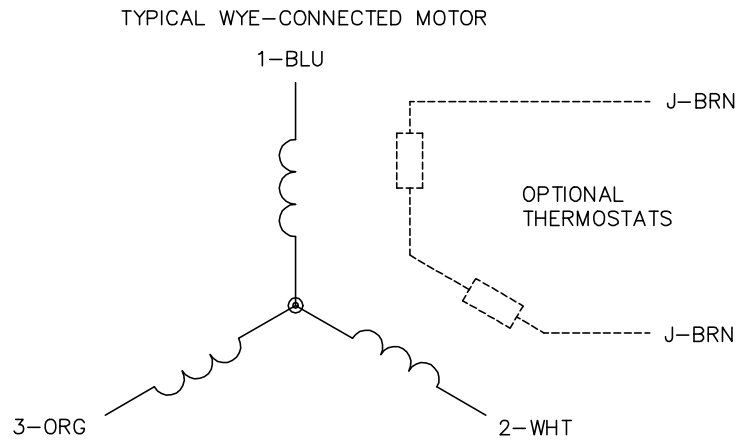
**Nameplate**

**NP4332**

<b>STK.NO.</b>	VLECP84104T-4	<b>P/N</b>		<b>ENCLOSURE</b>	TEFC
<b>SPEC.</b>	10K389Z438G1	<b>CC</b>	010A	<b>FRAME</b>	286LP
<b>HP</b>	30	<b>CLASS</b>	F	<b>HZ</b>	60
<b>RPM</b>	1770	<b>RPM MAX</b>	2700	<b>PH</b>	3
<b>VOLT</b>	460	<b>KVA-CODE</b>	G	<b>ODE BRG</b>	7309
<b>AMP</b>	35.6	<b>MOTOR WEIGHT</b>	619	<b>DE BRG</b>	6213
<b>RATING</b>	40C AMB-CONT	<b>MAX. KVAR</b>	7.7	<b>D.E. BRG.</b>	65BC02X30X
<b>NEMA-NOM-EFF</b>	93.6	<b># OF ROTOR BARS</b>	40	<b>O.D.E. BRG.</b>	45BT03X30X
<b>G.MIN.EFF</b>	92.4	<b># OF STATOR SLOTS</b>	48	<b>BLANK</b>	
<b>TEMP CODE</b>	T3	<b>PF</b>	84	<b>INV.TYPE</b>	PWM
<b>TEMP =</b>	200	<b>SER.F.</b>	1.15	<b>IP</b>	56
<b>CT HZ FROM</b>	30	<b>INVERTER-TEMP-CODE</b>	200	<b>C HP FR</b>	60
<b>HTR-VOLTS</b>		<b>C HP TO</b>	90	<b>CT HZ TO</b>	60
<b>HTR-AMPS</b>		<b>HTR-WATTS</b>		<b>MAX. SPACE HEATER TEMP.</b>	
<b>HTR-VOLTS</b>		<b>HTR-AMPS</b>		<b>VT HZ FROM</b>	30
<b>HTR-WATTS</b>		<b>HTR-WATTS</b>		<b>VT HZ TO</b>	60



CD0006



NOTES:

1. THREE LEAD MOTOR MAY BE EITHER WYE CONNECTED OR DELTA CONNECTED.
2. INTERCHANGE ANY TWO LINE LEADS TO REVERSE ROTATION.
3. OPTIONAL THERMOSTATS ARE PROVIDED WHEN SPECIFIED.
4. ACTUAL NUMBER OF INTERNAL PARALLEL CIRCUITS MAY VARY.
5. LEAD COLORS ARE OPTIONAL. LEADS MUST BE NUMBERED AS SHOWN.

CD0006

REV. DESC: ADD CLASS CONN00000007		
REV. LTR: E	VERSION: 01	TDR: 000001099922
FILE: \AAA\00005\141	REVISED: 10:24:49 02/19/2019	BY: ENBRIRO
MTL: -	© □	

**BALDOR - RELIANCE®**

3PH, SV, 3 LEADS, WYE OR DELTA CONNECTED

SH 1 of 1