

Specifications

Enclosure	TEFC
Frame	215LP
Frame Material	Iron
Frequency	60.00 Hz
Haz Area Class and Group	CLI GP A,B,C,D
Haz Area Division	Division II
Motor Letter Type	Three Phase
Output @ Frequency	10.000 HP @ 60 HZ
Phase	3
Synchronous Speed @ Frequency	3600 RPM @ 60 HZ
Voltage @ Frequency	460.0 V @ 60 HZ
Agency Approvals	CSA EEV NEMA PREMIUM UR CSA
Ambient Temperature	40 °C
Auxillary Box	No Auxillary Box
Auxillary Box Lead Termination	None
Base Indicator	No Mounting
Bearing Grease Type	Polyrex EM (-20F +300F)
Blower	None
Constant Torque Speed Range	6
Current @ Voltage	11.300 A @ 460.0 V
Design Code	B
Drip Cover	Drip Cover
Duty Rating	CONT
Efficiency @ 100% Load	91.0 %
Electrically Isolated Bearing	Not Electrically Isolated
Enclosure Modification	841
Feedback Device	NO FEEDBACK
Front Shaft Indicator	None
Haz Area Temp Code	T3C

Part detail

Revision	F
Type	AC
Mech. spec.	07D516
Base	
Status	PRD/A
Elec. spec.	07WGY930
Layout	07LYD516
Eff. date	07-06-2023
CD Diagram	CD0006
Poles	02
Leads	3#14
Proprietary	False
Created date	03-27-2019

Heater Indicator	No Heater
High Voltage Full Load Amps	11.3 a
Insulation Class	F
Inverter Code	Inverter Duty
IP Rating	IP56
KVA Code	H
Lifting Lugs	Vertical Lifting Lugs
Locked Bearing Indicator	Locked Bearing
Max Speed	5400 rpm
Motor Lead Quantity/Wire Size	3 @ 14 AWG
Motor Lead Termination	Flying Leads
Motor Standards	NEMA
Motor Type	0742M
Mounting Arrangement	W6
Number of Poles	2
Overall Length	24.71 IN
Power Factor	91
Product Family	Chem Process S/P 32-8 IEEE 841
Pulley End Bearing Type	Roller
Pulley Face Code	P-Base
Pulley Shaft Indicator	P-Base Groove & Key
Rodent Screen	None
RoHS Status	ROHS COMPLIANT
Service Factor	1.15
Shaft Diameter	1.625 IN
Shaft Ground Indicator	No Shaft Grounding
Shaft Rotation	Reversible
Shaft Slinger Indicator	No Slinger
Speed	3500 rpm
Speed Code	Single Speed
Starting Method	Direct on line
Thermal Device - Winding	None
Vibration Sensor Indicator	No Vibration Sensor
Winding Thermal 1	None

Winding Thermal 2

None

Nameplate

NP4328									
CAT.NO.	VLECP83771T-4								
SPEC.	07D516Y930G1								
HP	10 TE					IP	56		
VOLTS	460								
AMPS	11.3								
R.P.M.	3500								
FRAME	215LP		HZ	60		PH	3		
SER.F.	1.15	CODE	H	DES.	B	CLASS	F		
RATING	40C AMB-CONT								
SN									
DE	6309		ODE	7306					
NEMA NOM. EFF.	91		P.F.	91					
GUAR. MIN. EFF.	89.5	CC	010A						
T. CODE	T3C		TEMP=	160					

NP3186

SPEC.	07D516Y930G1		
ABMA DE BRG	45BC03X30X		
ABMA ODE BRG	30BT03X30X		
GREASE	POLYREX EM		
MOTOR WEIGHT	189	ROTOR BARS	28
		STATOR BARS	36
MAX. R.P.M.	5400	MAX. KVAR	
INV.TYPE	PWM		
T=	160		
CHP	60	TO	90
CT	6	TO	60
VT	3	TO	60
HTR-VOLTS	N/A	HTR-AMPS	N/A
HTR-WATTS	N/A	MAX. SPACE HEATER TEMP.	N/A

AC Induction Motor Performance Data

Record # 47355

Typical performance - not guaranteed values

Winding: 07WGY930-R013		Type: 0742M	Enclosure: TEFC	
Nameplate Data			460 V, 60 Hz: Single Voltage Motor	
Rated Output (HP)	10	Full Load Torque	14.8 LB-FT	
Volts	460	Start Configuration	direct on line	
Full Load Amps	11.3	Breakdown Torque	67.3 LB-FT	
R.P.M.	3500	Pull-up Torque	22.4 LB-FT	
Hz	60	Locked-rotor Torque	29 LB-FT	
NEMA Design Code	B	Starting Current	81 A	
Service Factor (S.F.)	1.15	No-load Current	3.11 A	
NEMA Nom. Eff.	91	Line-line Res. @ 25°C	0.791 Ω	
Rating - Duty	40C AMB-CONT	Temp. Rise @ Rated Load	50°C	
S.F. Amps		Temp. Rise @ S.F. Load	62°C	
		Locked-rotor Power Factor	30.3	
		Rotor inertia	0.383 LB-FT ²	

Load Characteristics 460 V, 60 Hz, 10 HP

% of Rated Load	25	50	75	100	125	150	S.F.
Power Factor	64	81	88	89	91	90	91
Efficiency	89.1	92.2	92.3	91.6	90.3	89.1	90.9
Speed	3576	3554	3530	3504	3474	3442	3486
Line amperes	4.08	6.21	8.61	11.3	14.1	17.4	13

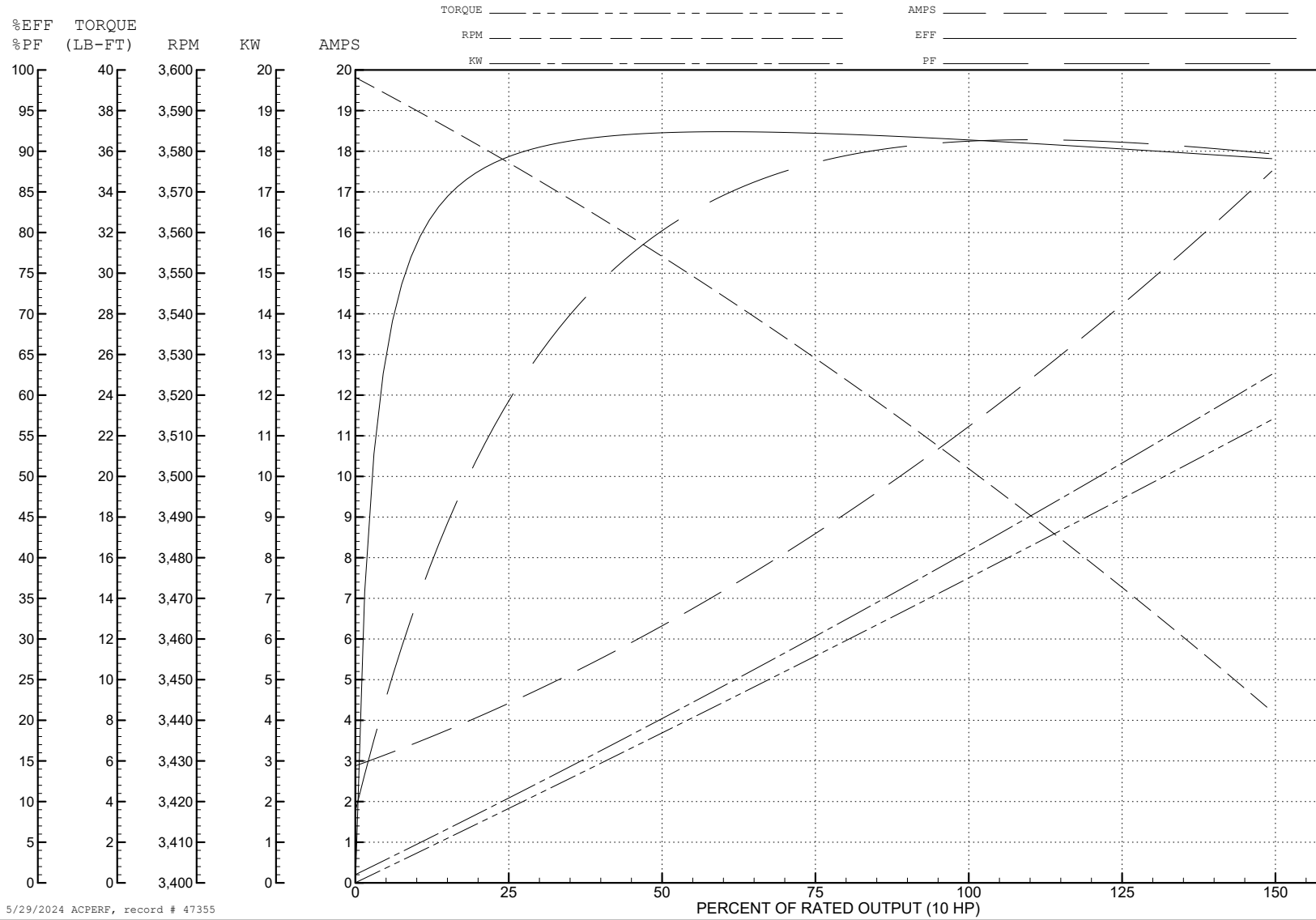
ABB Motors and Mechanical Inc.

WINDING # 07WGY930

10 HP 3 PH 60 HZ 3500 RPM 460 V 0742M

Typical performance - not guaranteed values.

TORQUES (LB-FT): PO=67.3 PU=22.4 LR=29 LRA=81



5/29/2024 ACPERF, record # 47355

AC Induction Motor Performance Data

Record # 65135

Typical performance - not guaranteed values

Winding: 07WGY930-R013		Type: 0742M		Enclosure: TEFC	
Nameplate Data			368 V, 60 Hz: Single Voltage Motor		
Rated Output (HP)	10	Full Load Torque	15.02 LB-FT		
Volts	460	Start Configuration	direct on line		
Full Load Amps	11.3	Breakdown Torque	42.64 LB-FT		
R.P.M.	3500	Pull-up Torque	14.18 LB-FT		
Hz	60	Phase	3	Locked-rotor Torque	18.36 LB-FT
NEMA Design Code	B	KVA Code	H	Starting Current	64.41 A
Service Factor (S.F.)	1.15	No-load Current	2.43 A		
NEMA Nom. Eff.	91	Power Factor	91	Line-line Res. @ 25°C	0.791 Ω
Rating - Duty	40C AMB-CONT		Temp. Rise @ Rated Load	66°C	
S.F. Amps			Temp. Rise @ S.F. Load	87°C	
			Locked-rotor Power Factor	30.1	
			Rotor inertia	0.383 LB-FT ²	

Load Characteristics 368 V, 60 Hz, 10 HP

% of Rated Load	25	50	75	100	125	150	S.F.
Power Factor	79	89	91	90	90	86	90
Efficiency	90.5	92.3	91.4	89.7	87.4	84.6	88.3
Speed	3565	3532	3495	3453	3401	3335	3422
Line amperes	4.09	7.1	10.43	14.25	18.44	23.94	16.8

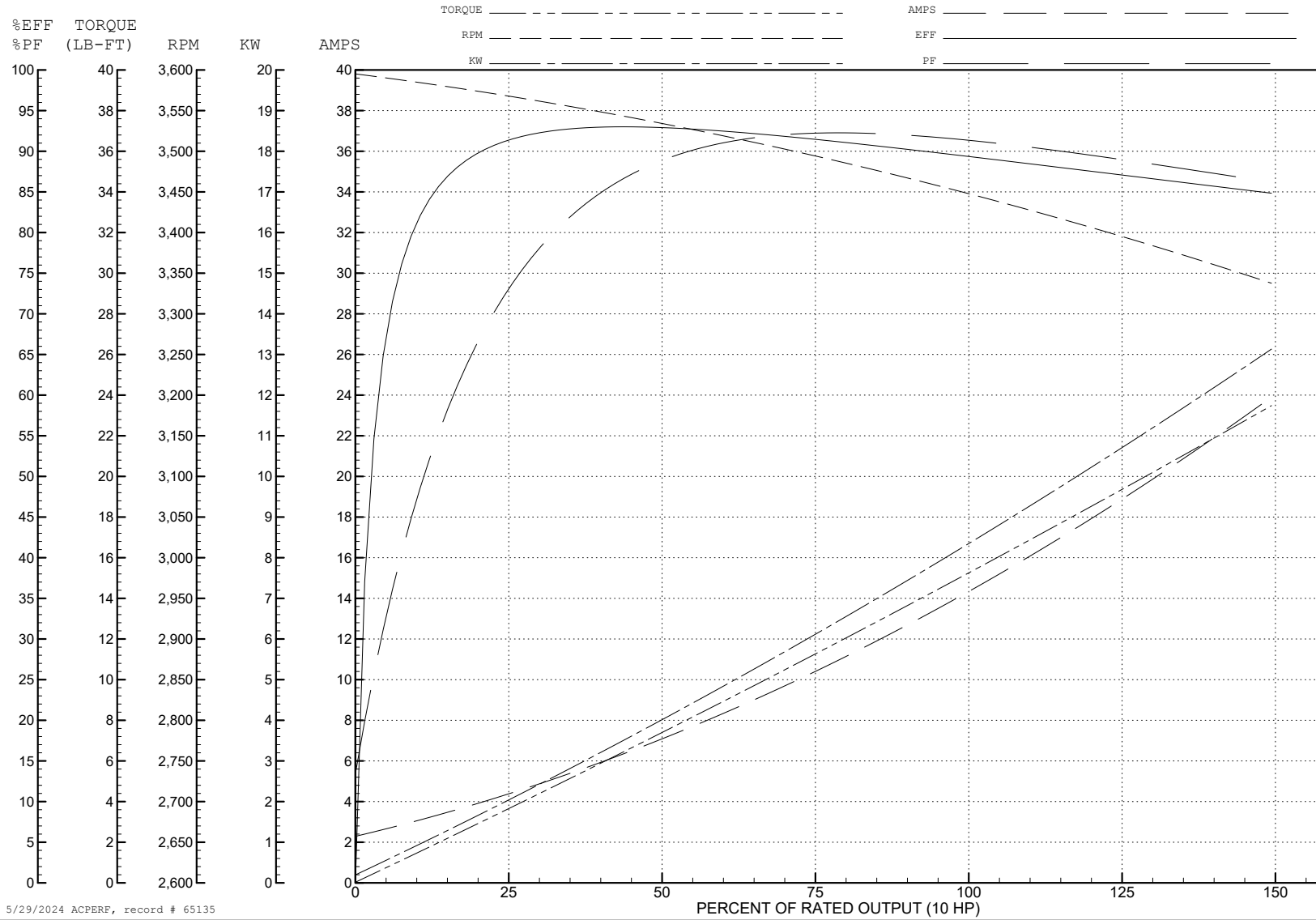
ABB Motors and Mechanical Inc.

WINDING # 07WGY930

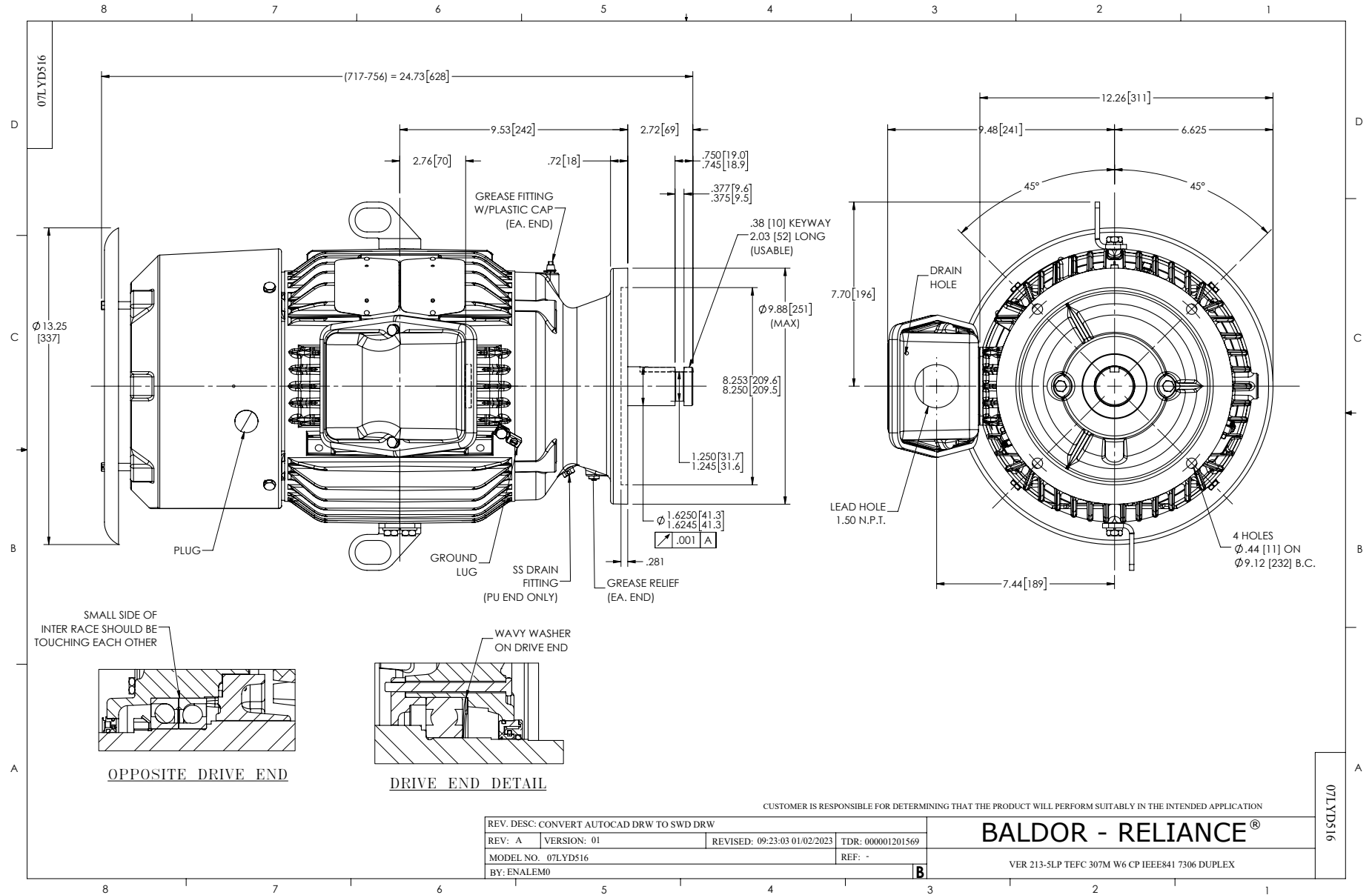
Typical performance - not guaranteed values.

10 HP 3 PH 60 HZ 3500 RPM 368 V 0742M

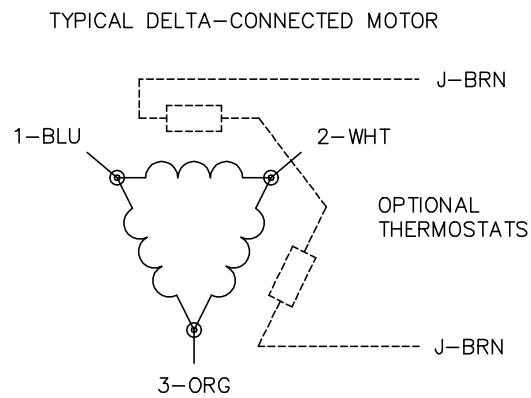
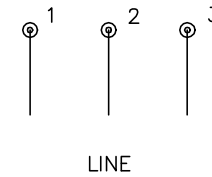
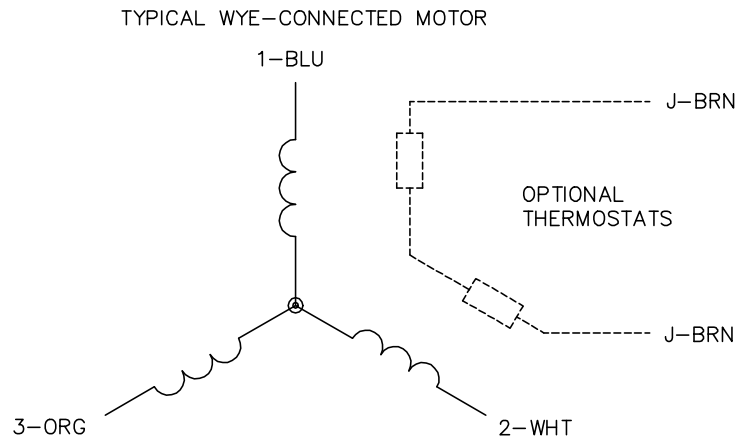
TORQUES (LB-FT): PO=42.64 PU=14.18 LR=18.36 LRA=64.41



5/29/2024 ACPERF, record # 65135



CD0006



NOTES:

1. THREE LEAD MOTOR MAY BE EITHER WYE CONNECTED OR DELTA CONNECTED.
2. INTERCHANGE ANY TWO LINE LEADS TO REVERSE ROTATION.
3. OPTIONAL THERMOSTATS ARE PROVIDED WHEN SPECIFIED.
4. ACTUAL NUMBER OF INTERNAL PARALLEL CIRCUITS MAY VARY.
5. LEAD COLORS ARE OPTIONAL. LEADS MUST BE NUMBERED AS SHOWN.

CD0006

REV. DESC: ADD CLASS CONN00000007		
REV. LTR: E	VERSION: 01	TDR: 000001099922
FILE: \AAA\00005\141	REVISED: 10:24:49 02/19/2019	BY: ENBRIRO
MTL: -	© □	

BALDOR - RELIANCE®

3PH, SV, 3 LEADS, WYE OR DELTA CONNECTED

SH 1 of 1