



Customer information packet

VLECP82394T-4

15HP, 3520RPM, 3PH, 60HZ, 254LP, TEFC, V1

Class - CLI GP A,B,C,D

Division - Division II

Specifications

Enclosure	TEFC
Frame	254LP
Frame Material	Iron
Frequency	60.00 Hz
Haz Area Class and Group	CLI GP A,B,C,D
Haz Area Division	Division II
Motor Letter Type	Three Phase
Output @ Frequency	15.000 HP @ 60 HZ
Phase	3
Synchronous Speed @ Frequency	3600 RPM @ 60 HZ
Voltage @ Frequency	460.0 V @ 60 HZ
Agency Approvals	CCSA US CSA EEV NEMA PREMIUM UR
Ambient Temperature	40 °C
Auxillary Box	No Auxillary Box
Auxillary Box Lead Termination	None
Base Indicator	No Mounting
Bearing Grease Type	Polyrex EM (-20F +300F)
Blower	None
Constant Torque Speed Range	6
Current @ Voltage	17.000 A @ 460.0 V
Design Code	B
Drip Cover	Drip Cover
Duty Rating	CONT
Efficiency @ 100% Load	91.0 %
Electrically Isolated Bearing	Not Electrically Isolated
Enclosure Modification	841
Feedback Device	NO FEEDBACK
Haz Area Temp Code	T3C
Heater Indicator	No Heater

Part detail

Revision	P
Type	AC
Mech. spec.	
Base	
Status	PRD/A
Elec. spec.	09WGY948
Layout	09LY-000-166
Eff. date	02-01-2024
CD Diagram	CD0006
Poles	02
Leads	3#12
Proprietary	False
Created date	03-27-2019

High Voltage Full Load Amps	17.0 a
Insulation Class	F
Inverter Code	Inverter Duty
IP Rating	IP56
KVA Code	G
Lifting Lugs	Vertical Lifting Lugs
Locked Bearing Indicator	Locked Bearing
Max Speed	5400 rpm
Motor Lead Termination	Ring Terminals
Motor Standards	NEMA
Motor Type	0934M
Mounting Arrangement	V1
Number of Poles	2
Overall Length	29.53 IN
Power Factor	89
Product Family	Chem Process S/P 32-8 IEEE 841
Pulley Face Code	P-Base
Rodent Screen	None
Service Factor	1.15
Shaft Diameter	1.625 IN
Shaft Ground Indicator	No Shaft Grounding
Shaft Rotation	Reversible
Speed	3520 rpm
Speed Code	Single Speed
Starting Method	Direct on line
Thermal Device - Winding	None
Vibration Sensor Indicator	No Vibration Sensor
Winding Thermal 1	None
Winding Thermal 2	None

Nameplate

NP4332

STK.NO.	VLECP82394T-4		P/N				ENCLOSURE	TEFC			
SPEC.	09-0000-1150		CC	010A	FRAME	254LP	S/N				
HP	15		CLASS	F	HZ	60	ODE BRG	7308	DE BRG 6213		
RPM	3520	RPM MAX	5400	PH	3	DES	B	D.E. BRG.	65BC02X30X		
VOLT	460		KVA-CODE	G		O.D.E. BRG.	40BT03X30X				
AMP	17		MOTOR WEIGHT	240		GREASE	POLYREX EM				
RATING	40C AMB-CONT		MAX. KVAR	2.2		BLANK					
NEMA-NOM-EFF	91	# OF ROTOR BARS	28	SER.F.	1.15	IP	56				
G.MIN.EFF	89.5	# OF STATOR SLOTS	36	PF	89	INV.TYPE	PWM				
TEMP CODE	T3C		INVERTER-TEMP-CODE	180							
TEMP =	160	C HP FR	60	C HP TO	90						
CT HZ FROM	1.3	CT HZ TO	60								
HTR-VOLTS		HTR-AMPS		HTR-WATTS		MAX. SPACE HEATER TEMP.		VT HZ FROM	0-	VT HZ TO	60

AC Induction Motor Performance Data

Record # 49591

Typical performance - not guaranteed values

Winding: 09WGY948-R035		Type: 0934M	Enclosure: TEFC		
Nameplate Data			460 V, 60 Hz: Single Voltage Motor		
Rated Output (HP)	15	Full Load Torque	22.4 LB-FT		
Volts	460	Start Configuration	direct on line		
Full Load Amps	17	Breakdown Torque	87.8 LB-FT		
R.P.M.	3520	Pull-up Torque	26 LB-FT		
Hz	60	Phase	3	Locked-rotor Torque	32.7 LB-FT
NEMA Design Code	B	KVA Code	G	Starting Current	114 A
Service Factor (S.F.)	1.15	No-load Current	5.1 A		
NEMA Nom. Eff.	91	Power Factor	89	Line-line Res. @ 25°C	0.622 Ω
Rating - Duty	40C AMB-CONT		Temp. Rise @ Rated Load	54°C	
S.F. Amps			Temp. Rise @ S.F. Load	67°C	
			Locked-rotor Power Factor	28.4	
			Rotor inertia	0.868 lb-ft ²	

Load Characteristics 460 V, 60 Hz, 15 HP

% of Rated Load	25	50	75	100	125	150	S.F.
Power Factor	61	80	88	89	90	90	90
Efficiency	87.4	91.1	91.7	91.3	90.1	88.7	90.5
Speed	3581	3563	3544	3522	3499	3472	3508
Line amperes	6.66	9.71	13.1	17.3	21.7	26.5	19.9

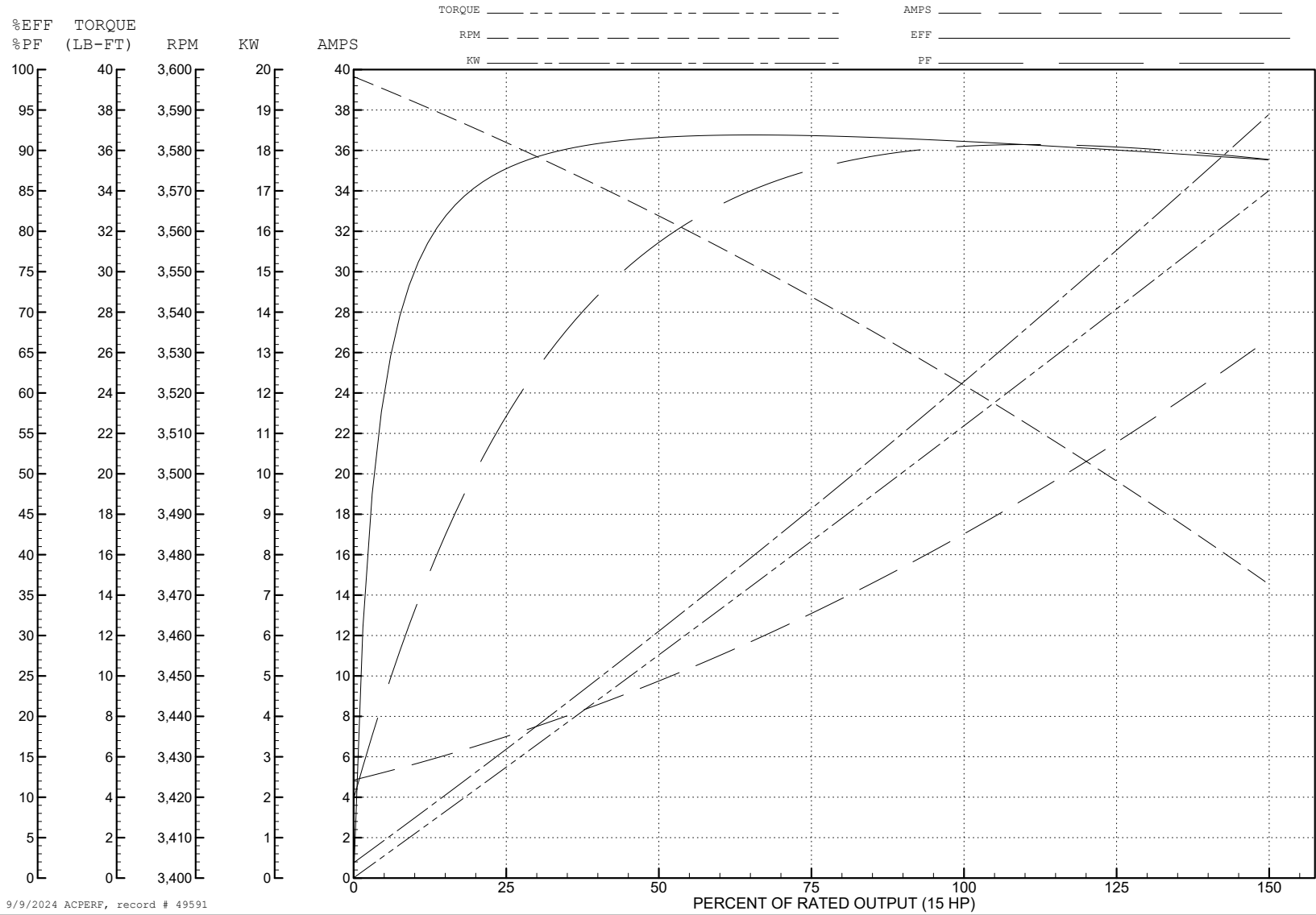
ABB Motors and Mechanical Inc.

WINDING # 09WGY948

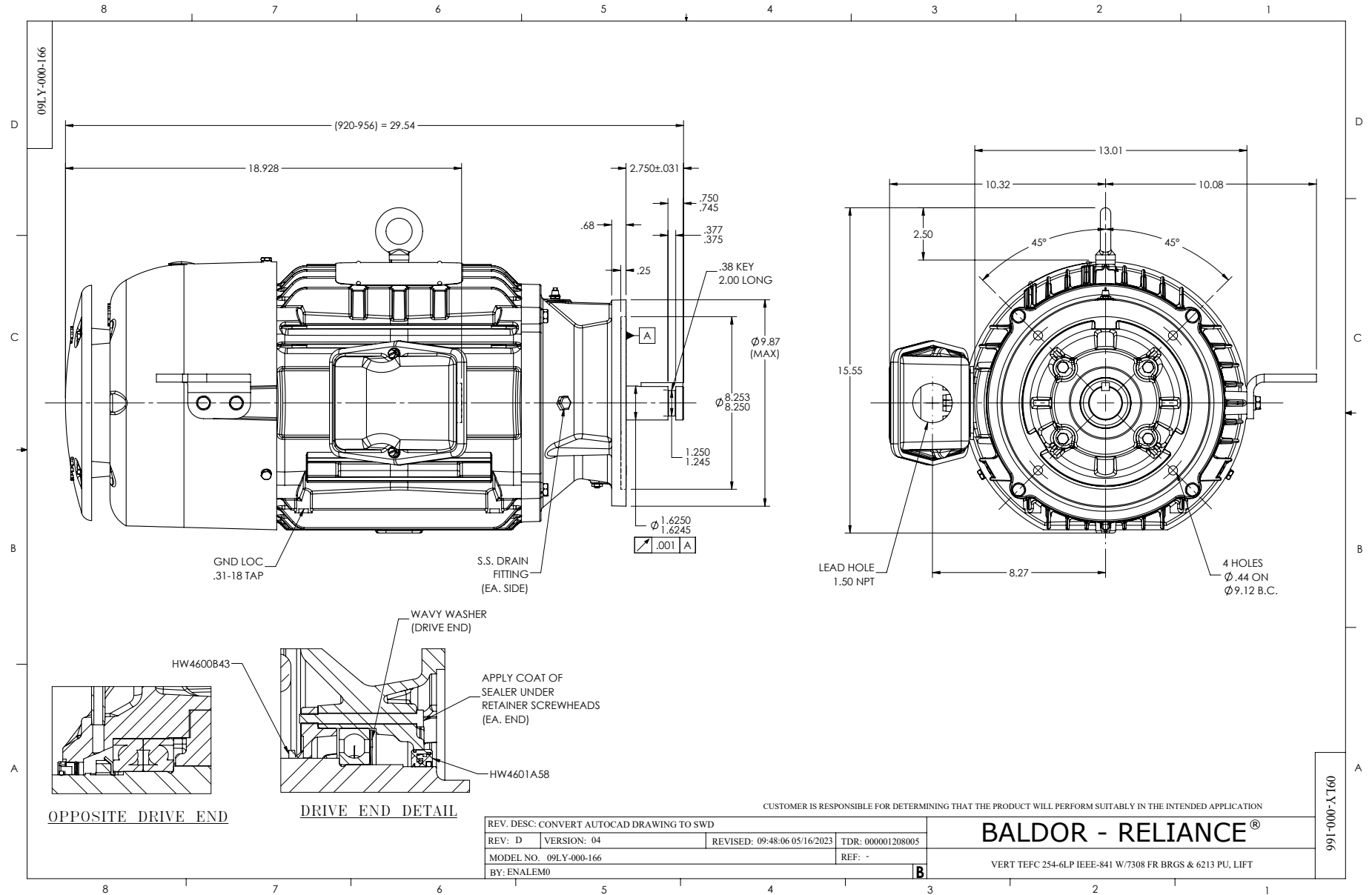
Typical performance - not guaranteed values.

15 HP 3 PH 60 HZ 3520 RPM 460 V 0934M

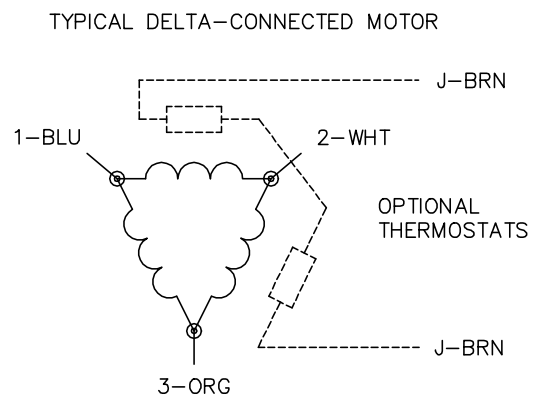
TORQUES (LB-FT): PO=87.8 PU=26 LR=32.7 LRA=114



9/9/2024 ACPERF, record # 49591



CD0006



NOTES:

1. THREE LEAD MOTOR MAY BE EITHER WYE CONNECTED OR DELTA CONNECTED.
2. INTERCHANGE ANY TWO LINE LEADS TO REVERSE ROTATION.
3. OPTIONAL THERMOSTATS ARE PROVIDED WHEN SPECIFIED.
4. ACTUAL NUMBER OF INTERNAL PARALLEL CIRCUITS MAY VARY.
5. LEAD COLORS ARE OPTIONAL. LEADS MUST BE NUMBERED AS SHOWN.

CD0006

REV. DESC: ADD CLASS CONN00000007		
REV. LTR: E	VERSION: 01	TDR: 000001099922
FILE: \AAA\00005\141	REVISED: 10:24:49 02/19/2019	BY: ENBRIRO
MTL: -	© □	

BALDOR - RELIANCE®

3PH, SV, 3 LEADS, WYE OR DELTA CONNECTED

SH 1 of 1