



---

# Customer information packet

## VLECP4108T

30HP, 3525RPM, 3PH, 60HZ, 286LP, 1048M, TEFC, F

Class - None

Division - Not Applicable

## Specifications

Enclosure	TEFC
Frame	286LP
Frame Material	Iron
Frequency	60.00 Hz
Haz Area Class and Group	None
Haz Area Division	Not Applicable
Motor Letter Type	Three Phase
Output @ Frequency	30.000 HP @ 60 HZ
Phase	3
Synchronous Speed @ Frequency	3600 RPM @ 60 HZ
Voltage @ Frequency	460.0 V @ 60 HZ 230.0 V @ 60 HZ
Agency Approvals	CSA CSA EEV UR
Ambient Temperature	40 °C
Auxillary Box	No Auxillary Box
Auxillary Box Lead Termination	None
Base Indicator	No Mounting
Bearing Grease Type	Polyrex EM (-20F +300F)
Blower	None
Constant Torque Speed Range	6
Current @ Voltage	34.000 A @ 460.0 V 68.000 A @ 230.0 V
Design Code	B
Drip Cover	Drip Cover
Duty Rating	CONT
Efficiency @ 100% Load	91.7 %
Electrically Isolated Bearing	Not Electrically Isolated
Feedback Device	NO FEEDBACK
Front Face Code	Standard
Front Shaft Indicator	None

## Part detail

Revision	N
Type	AC
Mech. spec.	10M69
Base	
Status	PRD/A
Elec. spec.	10WGZ501
Layout	10LYM069
Eff. date	11-03-2023
CD Diagram	CD0180
Poles	02
Leads	9#10
Proprietary	False
Created date	02-17-2016

Haz Area Temp Code	T3
Heater Indicator	No Heater
High Voltage Full Load Amps	34.0 a
Insulation Class	F
Inverter Code	Inverter Duty
KVA Code	G
Lifting Lugs	Vertical Lifting Lugs
Locked Bearing Indicator	Locked Bearing
Max Speed	5400 rpm
Motor Lead Exit	Ko Box
Motor Lead Quantity/Wire Size	9 @ 10 AWG
Motor Lead Termination	Flying Leads
Motor Standards	NEMA
Motor Type	1048M
Mounting Arrangement	F1
Number of Poles	2
Overall Length	32.44 IN
Power Factor	90
Product Family	Super-E Chemical Processing
Pulley End Bearing Type	Thrust
Pulley Face Code	P-Base
Pulley Shaft Indicator	P-Base Groove & Key
Rodent Screen	None
Service Factor	1.15
Shaft Diameter	1.750 IN
Shaft Extension Location	Pulley End
Shaft Ground Indicator	No Shaft Grounding
Shaft Rotation	Reversible
Shaft Slinger Indicator	Shaft Slinger
Speed	3525 rpm
Speed Code	Single Speed
Starting Method	Direct on line
Thermal Device - Bearing	NONE (OLD)
Thermal Device - Winding	None

**Vibration Sensor Indicator****No Vibration Sensor****Winding Thermal 1****None****Winding Thermal 2****None**

---

**Nameplate**

**NP3241**

<b>CAT.NO.</b>	VLECP4108T	<b>P/N</b>		<b>ENCLOSURE</b>	TEFC
<b>SPEC.</b>	10M069Z501G1	<b>CC</b>	010A	<b>FRAME</b>	286LP
<b>HP</b>	30	<b>CLASS</b>	F	<b>HZ</b>	60
<b>RPM</b>	3525	<b>RPM MAX</b>	5400	<b>PH</b>	3
<b>VOLT</b>	230/460	<b>MOTOR WEIGHT</b>	400	<b>DES</b>	B
<b>AMP</b>	68/34	<b>SER.F.</b>	1.15	<b>PF</b>	90
<b>RATING</b>	40C AMB-CONT	<b>NEMA-NOM-EFF</b>	91.7	<b>ODE BRG</b>	6309
				<b>DE BRG</b>	QJ213
				<b>GREASE</b>	POLYREX EM
				<b>INV.TYPE</b>	PWM
<b>TEMP CODE</b>	T3	<b>INVERTER-TEMP-CODE</b>	200		
<b>TEMP =</b>	200	<b>C HP FR</b>	60	<b>C HP TO</b>	90
<b>CT HZ FROM</b>	6	<b>CT HZ TO</b>	60		
<b>HTR-VOLTS</b>		<b>HTR-AMPS</b>		<b>HTR-WATTS</b>	
				<b>MAX. SPACE HEATER TEMP.</b>	
				<b>VT HZ FROM</b>	3
				<b>VT HZ TO</b>	60

**AC Induction Motor Performance Data**

Record # 55452

Typical performance - not guaranteed values

<b>Winding: 10WGZ501-R001</b>		<b>Type: 1048M</b>		<b>Enclosure: TEFC</b>	
<b>Nameplate Data</b>			<b>460 V, 60 Hz: High Voltage Connection</b>		
Rated Output (HP)		30	Full Load Torque		44.8 LB-FT
Volts		230/460	Start Configuration		direct on line
Full Load Amps		68/34	Breakdown Torque		135 LB-FT
R.P.M.		3520	Pull-up Torque		47 LB-FT
Hz	60 Phase	3	Locked-rotor Torque		65.2 LB-FT
NEMA Design Code	B KVA Code	G	Starting Current		212 A
Service Factor (S.F.)		1.15	No-load Current		8.74 A
NEMA Nom. Eff.	91.7 Power Factor	90	Line-line Res. @ 25°C		0.24052 Ω
Rating - Duty		40C AMB-CONT	Temp. Rise @ Rated Load		69°C
S.F. Amps			Temp. Rise @ S.F. Load		85°C
			Locked-rotor Power Factor		23.2

**Load Characteristics 460 V, 60 Hz, 30 HP**

<b>% of Rated Load</b>	<b>25</b>	<b>50</b>	<b>75</b>	<b>100</b>	<b>125</b>	<b>150</b>	<b>S.F.</b>
Power Factor	67	83	88	90	90	90	90
Efficiency	87	91.3	92	91.7	90.9	89.7	91.2
Speed	3583	3565.7	3547.3	3526.7	3504.4	3479.1	3513
Line amperes	12.4	18.7	26.1	34.1	43.1	52.5	39.5

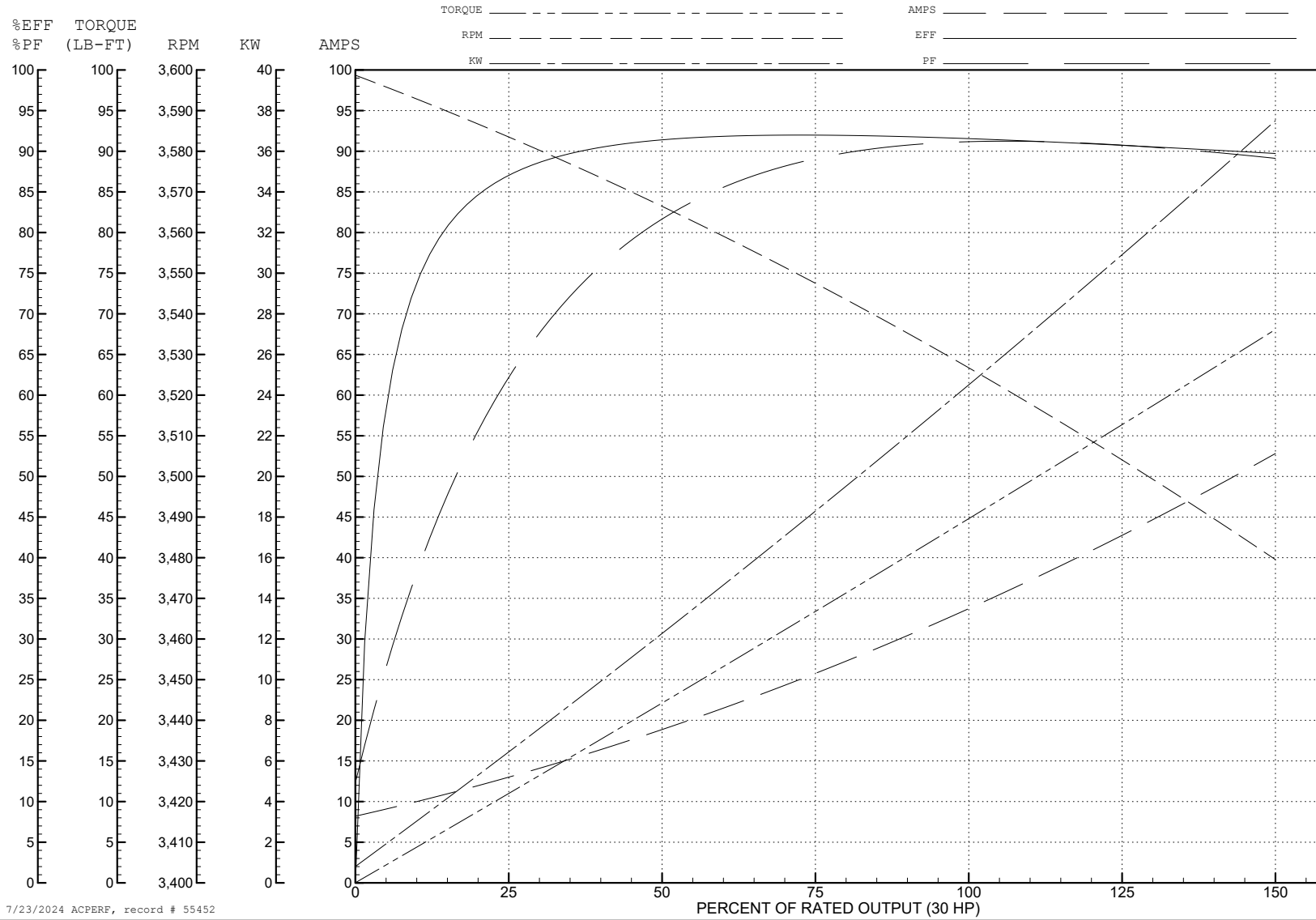
ABB Motors and Mechanical Inc.

WINDING # 10WGZ501

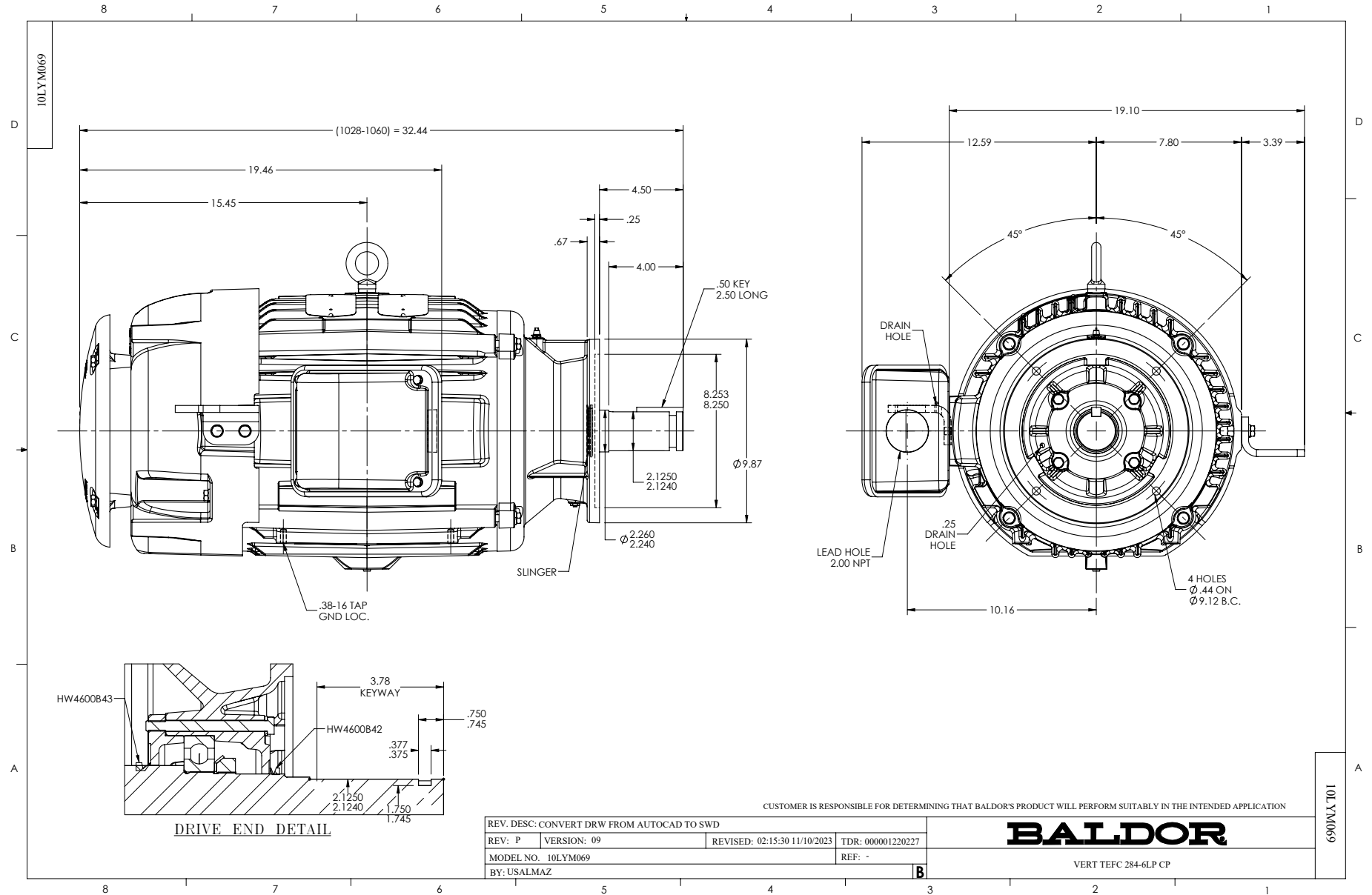
30 HP 3 PH 60 HZ 3520 RPM 460 V 1048M

Typical performance - not guaranteed values.

TORQUES (LB-FT): PO=135 PU=47 LR=65.2 LRA=212

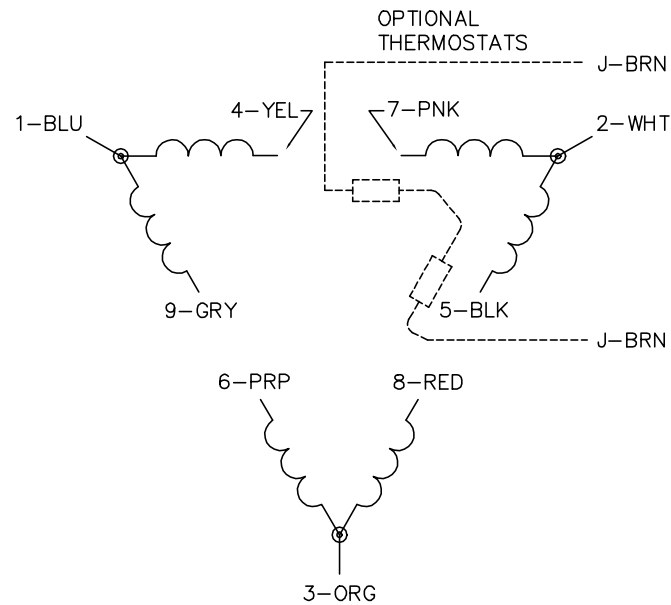


7/23/2024 ACPERF, record # 55452

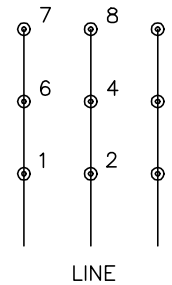




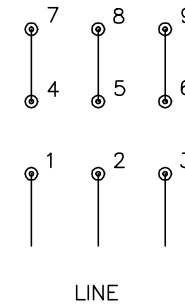
CD0180



LOW VOLTAGE  
(2D)



HIGH VOLTAGE  
(1D)



NOTES:

1. INTERCHANGE ANY TWO LINE LEADS TO REVERSE ROTATION.
2. OPTIONAL THERMOSTATS ARE PROVIDED WHEN SPECIFIED.
3. ACTUAL NUMBER OF INTERNAL PARALLEL CIRCUITS MAY BE A MULTIPLE OF THOSE SHOWN ABOVE.
4. LEAD COLORS ARE OPTIONAL. LEADS MUST ALWAYS BE NUMBERED AS SHOWN.

CD0180

REV. DESC: ADD CLASS CONN00000007		
REV. LTR: D	VERSION: 01	TDR: 000001099922
FILE: \AAA\00005\148	REVISED: 10: 25: 29 02/19/2019	BY: ENBRIRO
MTL: -	© □	

**BALDOR - RELIANCE®**

3PH, DV, 9 LEADS, DELTA CONNECTION

SH 1 of 1