



Customer information packet

VLECP4107T

25HP, 3520RPM, 3PH, 60HZ, 284LP, 1048M, TEFC, F

Class - None

Division - Not Applicable

Specifications

Enclosure	TEFC
Frame	284LP
Frame Material	Iron
Frequency	60.00 Hz
Haz Area Class and Group	None
Haz Area Division	Not Applicable
Motor Letter Type	Three Phase
Output @ Frequency	25.000 HP @ 60 HZ
Phase	3
Synchronous Speed @ Frequency	3600 RPM @ 60 HZ
Voltage @ Frequency	460.0 V @ 60 HZ 230.0 V @ 60 HZ
Agency Approvals	CSA CSA EEV UR
Ambient Temperature	40 °C
Auxiliary Box	NO AUXILLARY BOX
Auxiliary Box Lead Termination	None
Base Indicator	No Mounting
Bearing Grease Type	Polyrex EM (-20F +300F)
Blower	None
Constant Torque Speed Range	6
Current @ Voltage	28.000 A @ 460.0 V 56.000 A @ 230.0 V
Design Code	B
Drip Cover	Drip Cover
Duty Rating	CONT
Efficiency @ 100% Load	91.7 %
Electrically Isolated Bearing	Not Electrically Isolated
Feedback Device	NO FEEDBACK
Front Face Code	Standard
Front Shaft Indicator	None

Part detail

Revision	R
Type	AC
Mech. spec.	10M69
Base	
Status	PRD/A
Elec. spec.	10WGZ273
Layout	10LYM069
Eff. date	11-03-2025
CD Diagram	CD0180
Poles	02
Leads	9#10
Proprietary	False
Created date	07-13-2015

Haz Area Temp Code	T3
Heater Indicator	No Heater
High Voltage Full Load Amps	28.0 a
Insulation Class	F
Inverter Code	Inverter Duty
KVA Code	F
Lifting Lugs	Vertical Lifting Lugs
Locked Bearing Indicator	Locked Bearing
Max Speed	5400 rpm
Motor Lead Exit	Ko Box
Motor Lead Quantity/Wire Size	9 @ 10 AWG
Motor Lead Termination	Flying Leads
Motor Standards	NEMA
Motor Type	1048M
Mounting Arrangement	F1
Number of Poles	2
Overall Length	32.44 IN
Power Factor	90
Product Family	Super-E Chemical Processing
Pulley End Bearing Type	Thrust
Pulley Face Code	P-Base
Pulley Shaft Indicator	P-Base Groove & Key
Rodent Screen	None
Service Factor	1.15
Shaft Diameter	1.750 IN
Shaft Extension Location	Pulley End
Shaft Ground Indicator	No Shaft Grounding
Shaft Rotation	Reversible
Shaft Slinger Indicator	Shaft Slinger
Speed	3520 rpm
Speed Code	Single Speed
Starting Method	Direct on line
Thermal Device - Bearing	NONE (OLD)
Thermal Device - Winding	None

Vibration Sensor Indicator	No Vibration Sensor
Winding Thermal 1	None
Winding Thermal 2	None

Nameplate

NP3241

CAT.NO.	VLECP4107T	P/N		ENCLOSURE	TEFC
SPEC.	10M069Z273G1	CC	010A	FRAME	284LP
HP	25	CLASS	F	HZ	60
RPM	3520	RPM MAX	5400	PH	3
VOLT	230/460	MOTOR WEIGHT	400	KVA-CODE	F
AMP	56/28	SER.F.	1.15	PF	90
RATING	40C AMB-CONT	NEMA-NOM-EFF	91.7	ODE BRG	6309
				DE BRG	QJ213
				GREASE	POLYREX EM
				INV.TYPE	PWM
TEMP CODE	T3	INVERTER-TEMP-CODE	200		
TEMP =	200	C HP FR	60	C HP TO	90
CT HZ FROM	6	CT HZ TO	60		
HTR-VOLTS		HTR-AMPS		HTR-WATTS	
				MAX. SPACE HEATER TEMP.	
				VT HZ FROM	3
				VT HZ TO	60

AC Induction Motor Performance Data

Record # 47234

Typical performance - not guaranteed values

Winding: 10WGZ273-R002		Type: 1048M	Enclosure: TEFC
Nameplate Data		460 V, 60 Hz: Single Voltage Motor	
Rated Output (HP)	25	Full Load Torque	37.3 LB-FT
Volts	230/460	Start Configuration	direct on line
Full Load Amps	56/28	Breakdown Torque	103 LB-FT
R.P.M.	3520	Pull-up Torque	42.1 LB-FT
Hz	60 Phase	Locked-rotor Torque	54 LB-FT
NEMA Design Code	B KVA Code	Starting Current	171 A
Service Factor (S.F.)	1.15	No-load Current	6.99 A
NEMA Nom. Eff.	91.7 Power Factor	Line-line Res. @ 25°C	0.295 Ω
Rating - Duty	40C AMB-CONT	Temp. Rise @ Rated Load	57°C
S.F. Amps		Temp. Rise @ S.F. Load	72°C
		Locked-rotor Power Factor	23.3
		Rotor inertia	2.06 LB-FT ²

Load Characteristics 460 V, 60 Hz, 25 HP

% of Rated Load	25	50	75	100	125	150	S.F.
Power Factor	69	83	88	90	90	90	90
Efficiency	87.7	91.6	92.1	91.7	90.8	89.7	91.3
Speed	3580	3563	3543	3521	3497	3470	3507
Line amperes	10.1	15.4	21.7	28.3	35.7	43.5	32.7

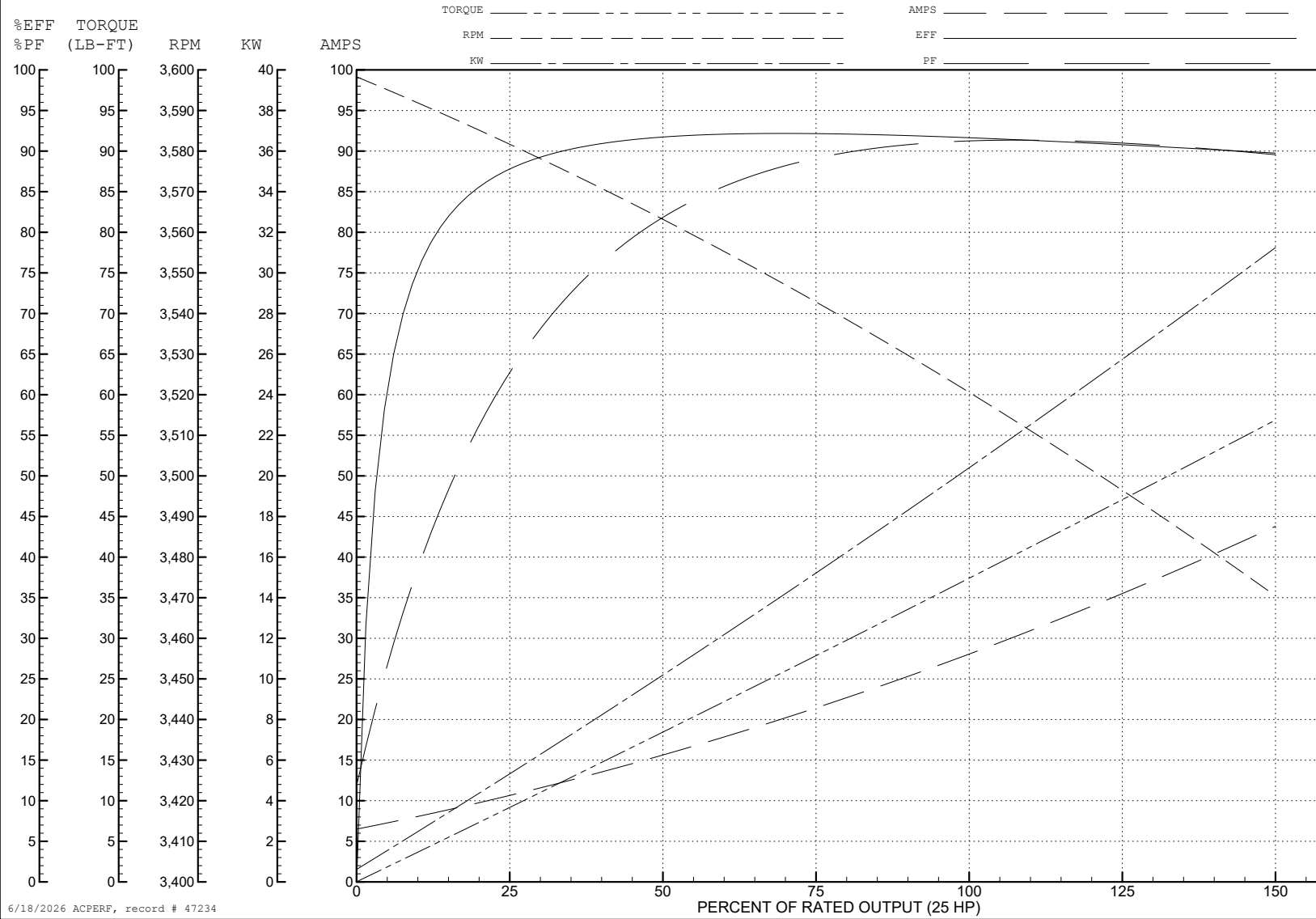
ABB Motors and Mechanical Inc.

WINDING # 10WGZ273

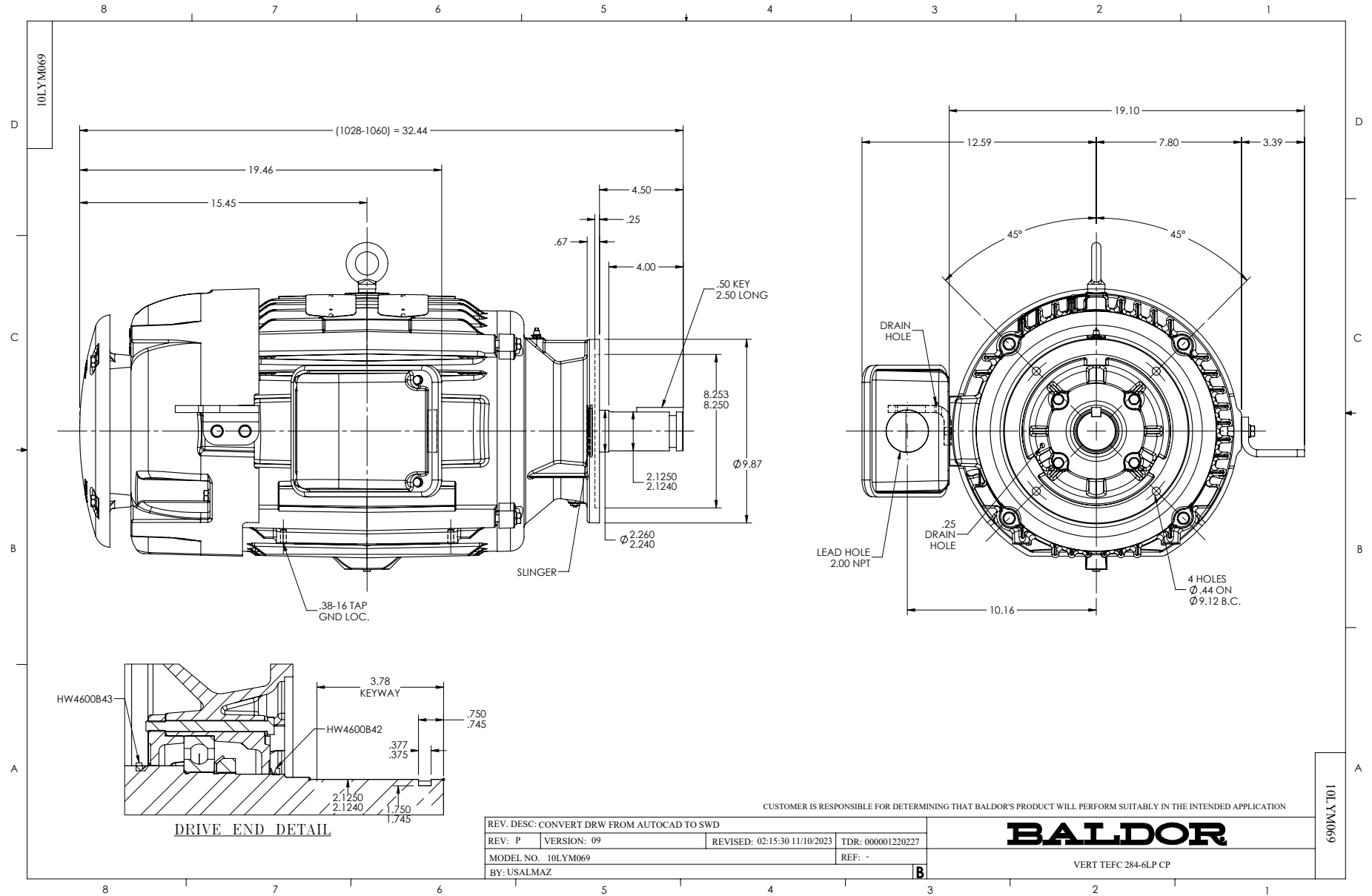
Typical performance - not guaranteed values.

25 HP 3 PH 60 HZ 3520 RPM 460 V 1048M

TORQUES (LB-FT): PO=103 PU=42.1 LR=54 LRA=171



6/18/2026 ACPERF, record # 47234



CD0180



LOW VOLTAGE
(2D)



HIGH VOLTAGE
(1D)



NOTES:

1. INTERCHANGE ANY TWO LINE LEADS TO REVERSE ROTATION.
2. OPTIONAL THERMOSTATS ARE PROVIDED WHEN SPECIFIED.
3. ACTUAL NUMBER OF INTERNAL PARALLEL CIRCUITS MAY BE A MULTIPLE OF THOSE SHOWN ABOVE.
4. LEAD COLORS ARE OPTIONAL. LEADS MUST ALWAYS BE NUMBERED AS SHOWN.

CD0180

REV. DESC: ADD CLASS CONN00000007		
REV. LTR: D	VERSION: 01	TDR: 000001099922
FILE: \AAA\00005\148	REVISED: 10: 25: 29 02/19/2019	BY: ENBRIRO
MTL: -	© □	

BALDOR - RELIANCE®

3PH, DV, 9 LEADS, DELTA CONNECTION

SH 1 of 1