



Customer information packet

VLECP4106T

20HP, 3540RPM, 3PH, 60HZ, 256LP, 0944M, TEFC, F

Class - None

Division - Not Applicable

Specifications

Enclosure	TEFC
Frame	256LP
Frame Material	Iron
Frequency	60.00 Hz
Haz Area Class and Group	None
Haz Area Division	Not Applicable
Motor Letter Type	Three Phase
Output @ Frequency	20.000 HP @ 60 HZ
Phase	3
Synchronous Speed @ Frequency	3600 RPM @ 60 HZ
Voltage @ Frequency	230.0 V @ 60 HZ 460.0 V @ 60 HZ
Agency Approvals	CSA CSA EEV UR
Ambient Temperature	40 °C
Auxillary Box	No Auxillary Box
Auxillary Box Lead Termination	None
Base Indicator	No Mounting
Bearing Grease Type	Polyrex EM (-20F +300F)
Blower	None
Constant Torque Speed Range	6
Current @ Voltage	48.000 A @ 208.0 V 44.000 A @ 230.0 V 22.000 A @ 460.0 V
Design Code	A
Drip Cover	Drip Cover
Duty Rating	CONT
Efficiency @ 100% Load	91.7 %
Electrically Isolated Bearing	Not Electrically Isolated
Feedback Device	NO FEEDBACK
Front Face Code	Standard

Part detail

Revision	U
Type	AC
Mech. spec.	09T01
Base	
Status	PRD/A
Elec. spec.	09WGY799
Layout	09LYT001
Eff. date	02-01-2024
CD Diagram	CD0180
Poles	02
Leads	9#12
Proprietary	False
Created date	07-13-2015

Front Shaft Indicator	None
Haz Area Temp Code	T3
Heater Indicator	No Heater
High Voltage Full Load Amps	22.0 a
Insulation Class	F
Inverter Code	Inverter Duty
KVA Code	J
Lifting Lugs	Vertical Lifting Lugs
Locked Bearing Indicator	Locked Bearing
Max Speed	5400 rpm
Motor Lead Exit	Ko Box
Motor Lead Quantity/Wire Size	9 @ 12 AWG
Motor Lead Termination	Flying Leads
Motor Standards	NEMA
Motor Type	0944M
Mounting Arrangement	F1
Number of Poles	2
Overall Length	25.73 IN
Power Factor	92
Product Family	Super-E Chemical Processing
Pulley End Bearing Type	Thrust
Pulley Face Code	P-Base
Pulley Shaft Indicator	P-Base Groove & Key
Rodent Screen	None
Service Factor	1.15
Shaft Diameter	1.625 IN
Shaft Extension Location	Pulley End
Shaft Ground Indicator	No Shaft Grounding
Shaft Rotation	Reversible
Shaft Slinger Indicator	Shaft Slinger
Speed	3540 rpm
Speed Code	Single Speed
Starting Method	Direct on line
Thermal Device - Bearing	None

Thermal Device - Winding	None
Vibration Sensor Indicator	No Vibration Sensor
Winding Thermal 1	None
Winding Thermal 2	None

Nameplate

NP3241

CAT.NO.	VLECP4106T	P/N		ENCLOSURE	TEFC
SPEC.	09T001Y799G1	CC	010A	FRAME	256LP
HP	20	CLASS	F	HZ	60
RPM	3540	RPM MAX	5400	PH	3
VOLT	230/460	MOTOR WEIGHT	335	DES	A
AMP	44/22	SER.F.	1.15	PF	92
RATING	40C AMB-CONT	NEMA-NOM-EFF	91.7	ODE BRG	6208
				DE BRG	QJ213
				GREASE	POLYREX EM
				INV.TYPE	PWM
TEMP CODE	T3	INVERTER-TEMP-CODE	200		
TEMP =	200	C HP FR	60	C HP TO	90
CT HZ FROM	6	CT HZ TO	60		
HTR-VOLTS		HTR-AMPS		HTR-WATTS	
				MAX. SPACE HEATER TEMP.	
				VT HZ FROM	3
				VT HZ TO	60

AC Induction Motor Performance Data

Record # 47264

Typical performance - not guaranteed values

Winding: 09WGY799-R020		Type: 0944M	Enclosure: TEFC
Nameplate Data		460 V, 60 Hz: High Voltage Connection	
Rated Output (HP)	20	Full Load Torque	29.76 LB-FT
Volts	230/460	Start Configuration	direct on line
Full Load Amps	44/22	Breakdown Torque	121 LB-FT
R.P.M.	3540	Pull-up Torque	49.4 LB-FT
Hz	60 Phase	Locked-rotor Torque	62.2 LB-FT
NEMA Design Code	A KVA Code	Starting Current	183 A
Service Factor (S.F.)	1.15	No-load Current	6.12 A
NEMA Nom. Eff.	91.7 Power Factor	Line-line Res. @ 25°C	0.377 Ω
Rating - Duty	40C AMB-CONT	Temp. Rise @ Rated Load	62°C
S.F. Amps		Temp. Rise @ S.F. Load	76°C
		Locked-rotor Power Factor	27.8
		Rotor inertia	1.12 LB-FT ²

Load Characteristics 460 V, 60 Hz, 20 HP

% of Rated Load	25	50	75	100	125	150	S.F.
Power Factor	63	83	90	92	93	93	93
Efficiency	88.7	92.8	93.2	93.2	92.6	91.8	92.8
Speed	3583	3567	3551	3534	3516	3497	3523
Line amperes	8.14	12.12	16.69	21.89	27.18	33.06	25.1

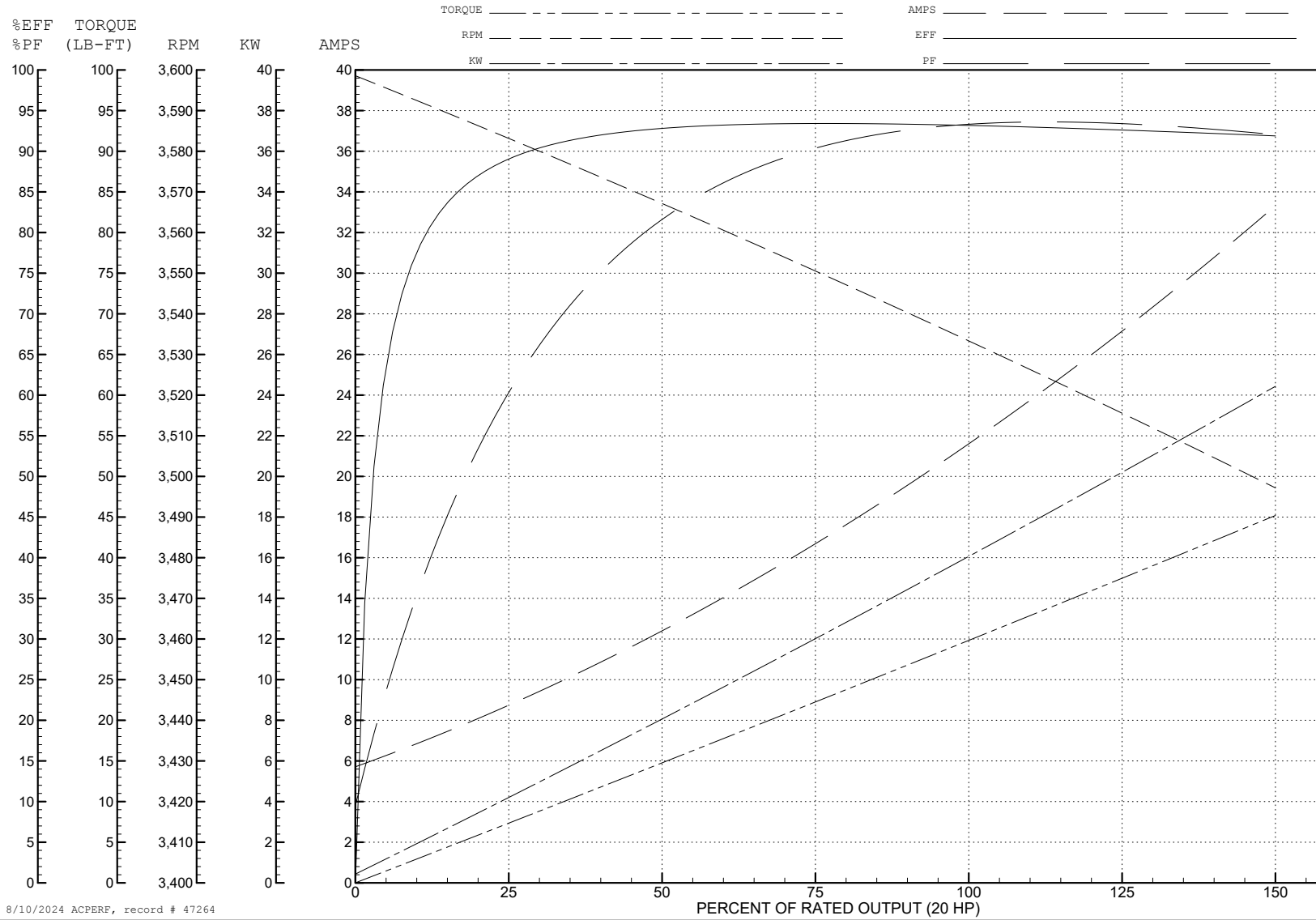
ABB Motors and Mechanical Inc.

WINDING # 09WGY799

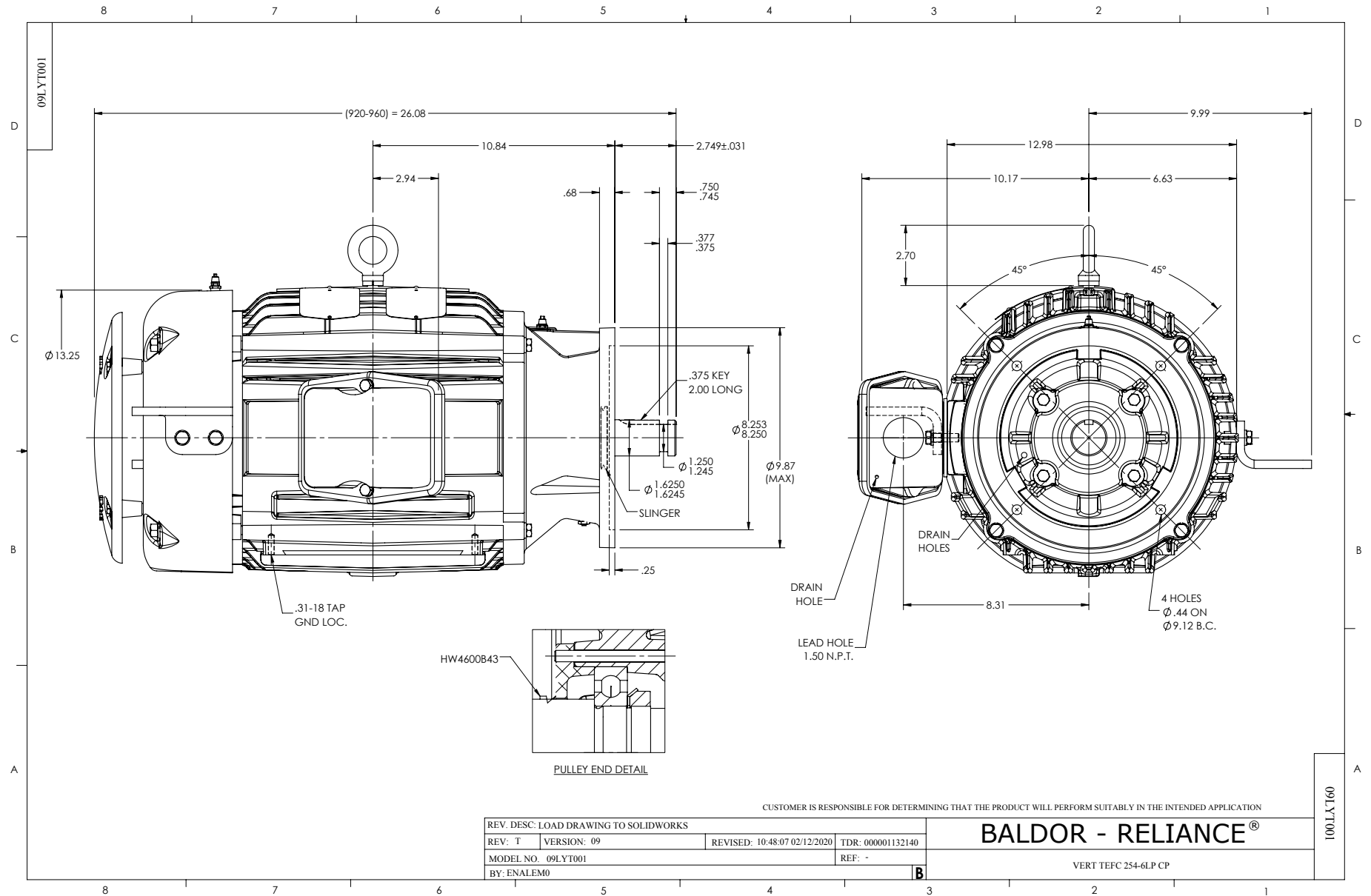
Typical performance - not guaranteed values.

20 HP 3 PH 60 HZ 3540 RPM 460 V 0944M

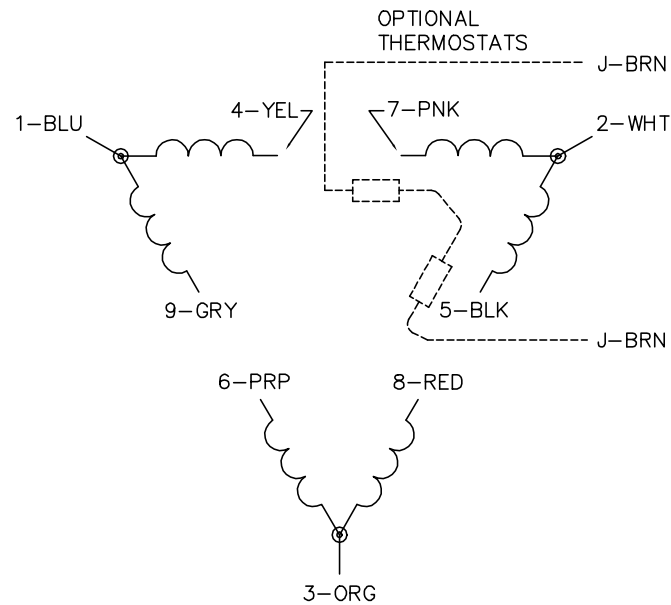
TORQUES (LB-FT): PO=121 PU=49.4 LR=62.2 LRA=183



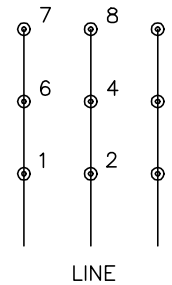
8/10/2024 ACPERF, record # 47264



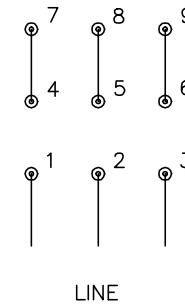
CD0180



LOW VOLTAGE
(2D)



HIGH VOLTAGE
(1D)



NOTES:

1. INTERCHANGE ANY TWO LINE LEADS TO REVERSE ROTATION.
2. OPTIONAL THERMOSTATS ARE PROVIDED WHEN SPECIFIED.
3. ACTUAL NUMBER OF INTERNAL PARALLEL CIRCUITS MAY BE A MULTIPLE OF THOSE SHOWN ABOVE.
4. LEAD COLORS ARE OPTIONAL. LEADS MUST ALWAYS BE NUMBERED AS SHOWN.

CD0180

REV. DESC: ADD CLASS CONN00000007		
REV. LTR: D	VERSION: 01	TDR: 000001099922
FILE: \AAA\00005\148	REVISED: 10: 25: 29 02/19/2019	BY: ENBRIRO
MTL: -	© □	

BALDOR - RELIANCE®

3PH, DV, 9 LEADS, DELTA CONNECTION

SH 1 of 1