



---

# Customer information packet

## VLECP4103T

25HP, 1775RPM, 3PH, 60HZ, 286LP, 1054M, TEFC, F

Class - None

Division - Not Applicable

## Specifications

Enclosure	TEFC
Frame	286LP
Frame Material	Iron
Frequency	60.00 Hz
Motor Letter Type	Three Phase
Output @ Frequency	25.000 HP @ 60 HZ
Phase	3
Synchronous Speed @ Frequency	1800 RPM @ 60 HZ
Voltage @ Frequency	230.0 V @ 60 HZ 460.0 V @ 60 HZ
XP Class and Group	None
XP Division	Not Applicable
Agency Approvals	CSA CSA EEV UR
Ambient Temperature	40 °C
Auxillary Box	No Auxillary Box
Auxillary Box Lead Termination	None
Base Indicator	No Mounting
Bearing Grease Type	Polyrex EM (-20F +300F)
Blower	None
Constant Torque Speed Range	0.8
Current @ Voltage	64.000 A @ 208.0 V 62.000 A @ 230.0 V 31.000 A @ 460.0 V
Design Code	A
Drip Cover	Drip Cover
Duty Rating	CONT
Efficiency @ 100% Load	93.6 %
Electrically Isolated Bearing	Not Electrically Isolated
Feedback Device	NO FEEDBACK
Front Face Code	Standard

## Part detail

Revision	Q
Type	AC
Mech. spec.	10M69
Base	
Status	PRD/A
Elec. spec.	10WGZ651
Layout	10LYM069
Eff. date	11-03-2023
CD Diagram	CD0180
Poles	04
Leads	9#10
Proprietary	False
Created date	10-20-2017

Front Shaft Indicator	None
Heater Indicator	No Heater
High Voltage Full Load Amps	31.0 a
Insulation Class	F
Inverter Code	Inverter Duty
KVA Code	J
Lifting Lugs	Vertical Lifting Lugs
Locked Bearing Indicator	Locked Bearing
Max Speed	2700 rpm
Motor Lead Exit	Ko Box
Motor Lead Quantity/Wire Size	9 @ 10 AWG
Motor Lead Termination	Flying Leads
Motor Standards	NEMA
Motor Type	1054M
Mounting Arrangement	F1
Number of Poles	4
Overall Length	32.44 IN
Power Factor	81
Product Family	Super-E Chemical Processing
Pulley End Bearing Type	Thrust
Pulley Face Code	P-Base
Pulley Shaft Indicator	P-Base Groove & Key
Rodent Screen	None
Service Factor	1.15
Shaft Diameter	1.750 IN
Shaft Extension Location	Pulley End
Shaft Ground Indicator	No Shaft Grounding
Shaft Rotation	Reversible
Shaft Slinger Indicator	Shaft Slinger
Speed	1775 rpm
Speed Code	Single Speed
Starting Method	Direct on line
Thermal Device - Bearing	NONE (OLD)
Thermal Device - Winding	None

<b>Vibration Sensor Indicator</b>	<b>No Vibration Sensor</b>
<b>Winding Thermal 1</b>	None
<b>Winding Thermal 2</b>	None
<b>XP Temp Code</b>	T3C

**Nameplate**

**NP3241**

<b>CAT.NO.</b>	VLECP4103T	<b>P/N</b>		<b>ENCLOSURE</b>	TEFC
<b>SPEC.</b>	10M069Z651G1	<b>CC</b>	010A	<b>FRAME</b>	286LP
<b>HP</b>	25	<b>CLASS</b>	F	<b>HZ</b>	60
<b>RPM</b>	1775	<b>RPM MAX</b>	2700	<b>PH</b>	3
<b>VOLT</b>	230/460	<b>MOTOR WEIGHT</b>	532	<b>ODE BRG</b>	6309
<b>AMP</b>	62/31	<b>SER.F.</b>	1.15	<b>PF</b>	81
<b>RATING</b>	40C AMB-CONT	<b>NEMA-NOM-EFF</b>	93.6	<b>GREASE</b>	POLYREX EM
		<b>INV.TYPE</b>	PWM		
<b>TEMP CODE</b>	T3C	<b>INVERTER-TEMP-CODE</b>	180		
<b>TEMP =</b>	160	<b>C HP FR</b>	60	<b>C HP TO</b>	90
<b>CT HZ FROM</b>	0.8	<b>CT HZ TO</b>	60		
<b>HTR-VOLTS</b>		<b>HTR-AMPS</b>		<b>HTR-WATTS</b>	
		<b>MAX. SPACE HEATER TEMP.</b>		<b>VT HZ FROM</b>	0
				<b>VT HZ TO</b>	60

**AC Induction Motor Performance Data**

Record # 67465

Typical performance - not guaranteed values

<b>Winding: 10WGZ651-R006</b>		<b>Type: 1054M</b>		<b>Enclosure: TEFC</b>		
<b>Nameplate Data</b>			<b>460 V, 60 Hz: High Voltage Connection</b>			
<b>Rated Output (HP)</b>	25		<b>Full Load Torque</b>	74.02 LB-FT		
<b>Volts</b>	230/460		<b>Start Configuration</b>	direct on line		
<b>Full Load Amps</b>	62/31		<b>Breakdown Torque</b>	262 LB-FT		
<b>R.P.M.</b>	1775		<b>Pull-up Torque</b>	118 LB-FT		
<b>Hz</b>	60	<b>Phase</b>	3	<b>Locked-rotor Torque</b>	142 LB-FT	
<b>NEMA Design Code</b>	A		<b>KVA Code</b>	J	<b>Starting Current</b>	223 A
<b>Service Factor (S.F.)</b>	1.15		<b>No-load Current</b>	13.6 A		
<b>NEMA Nom. Eff.</b>	93.6	<b>Power Factor</b>	81	<b>Line-line Res. @ 25°C</b>	0.2345 Ω	
<b>Rating - Duty</b>	40C		<b>Temp. Rise @ Rated Load</b>	51°C		
<b>S.F. Amps</b>	AMB-CONT		<b>Temp. Rise @ S.F. Load</b>	61°C		
			<b>Locked-rotor Power Factor</b>	30.6		

**Load Characteristics 460 V, 60 Hz, 25 HP**

<b>% of Rated Load</b>	<b>25</b>	<b>50</b>	<b>75</b>	<b>100</b>	<b>125</b>	<b>150</b>	<b>S.F.</b>
<b>Power Factor</b>	43	65	76	81	84	85	83
<b>Efficiency</b>	88.3	92.8	93.9	94	93.7	93.1	93.8
<b>Speed</b>	1794.1	1789.3	1783.5	1777.8	1770.8	1763.8	1774
<b>Line amperes</b>	15.3	19.3	24.6	30.6	37.2	44.5	34.6

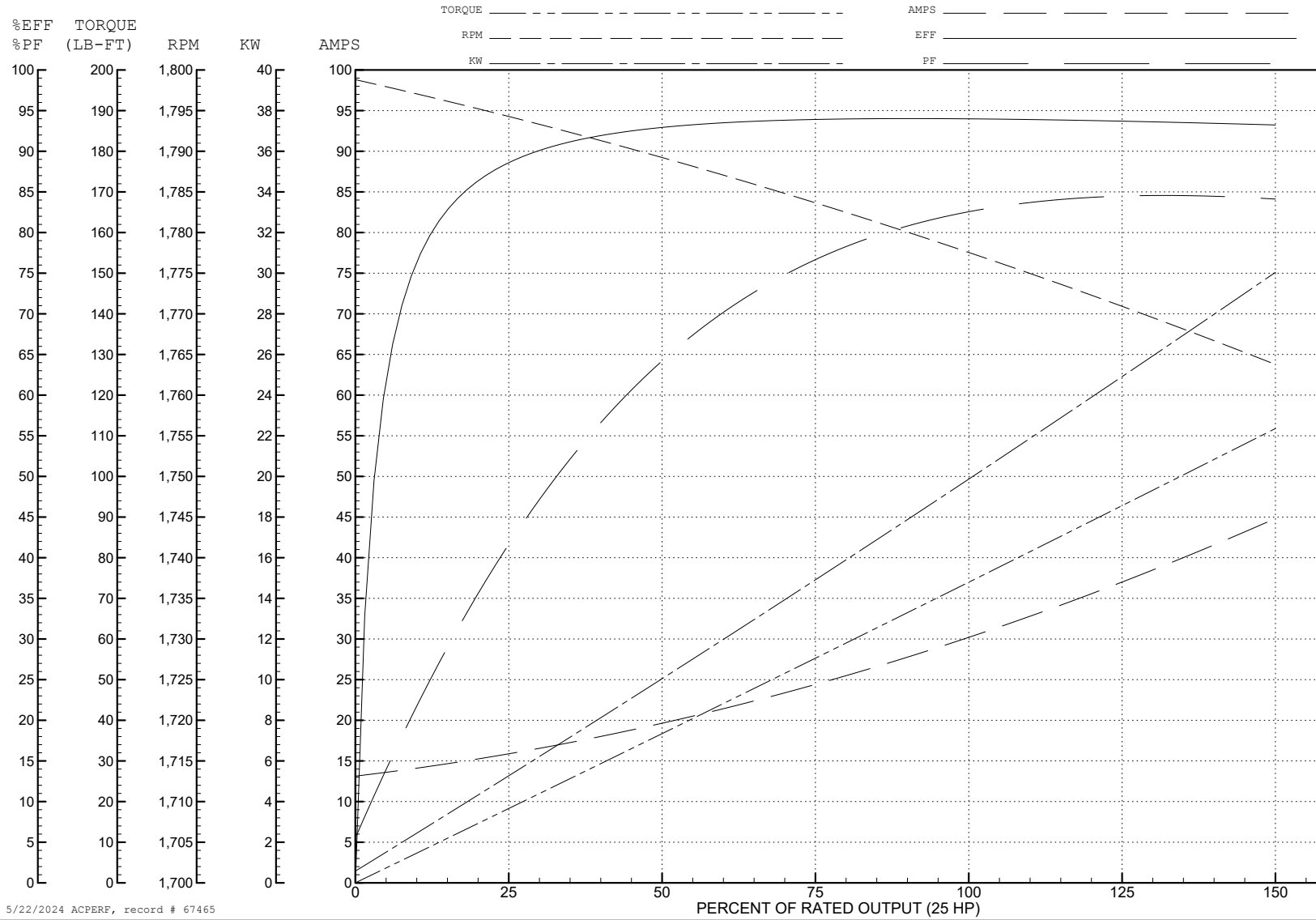
ABB Motors and Mechanical Inc.

WINDING # 10WGZ651

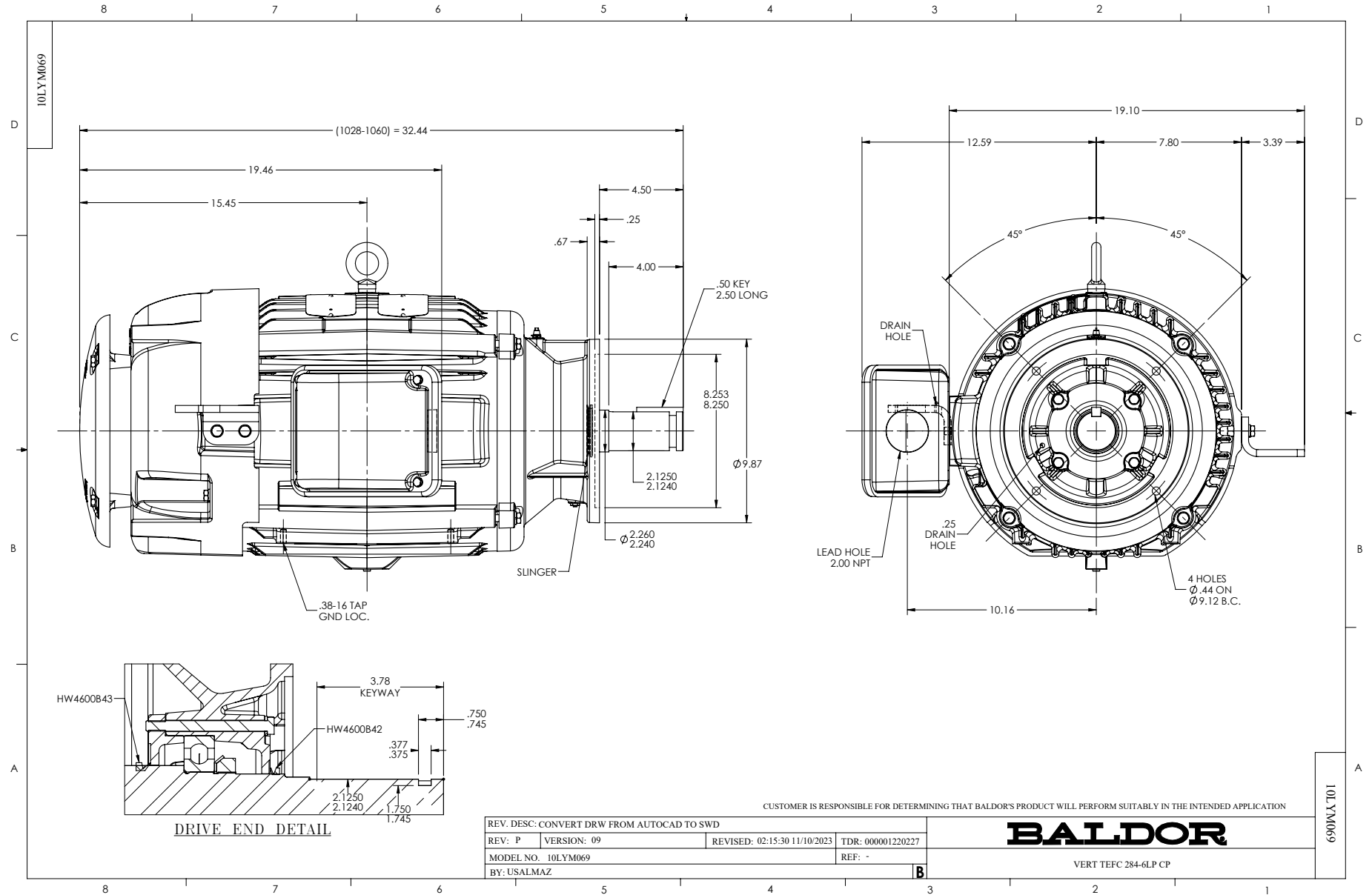
Typical performance - not guaranteed values.

25 HP 3 PH 60 HZ 1775 RPM 460 V 1054M

TORQUES (LB-FT): PO=262 PU=118 LR=142 LRA=223

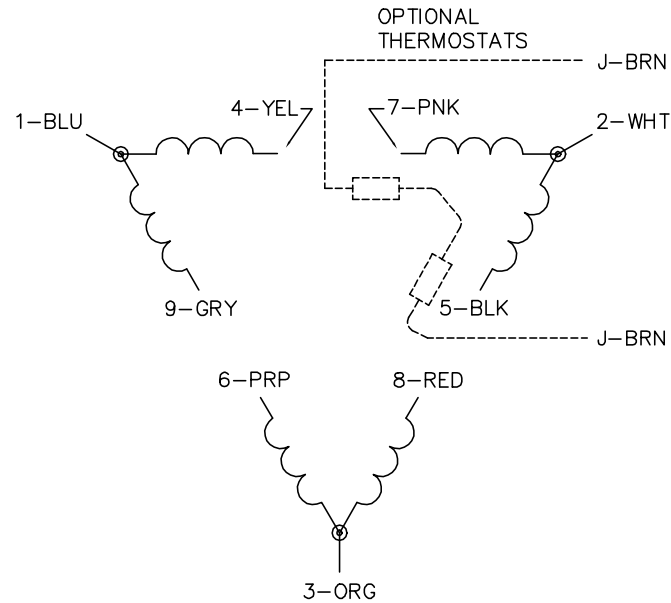


5/22/2024 ACPERF, record # 67465

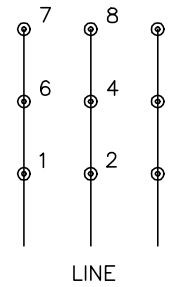




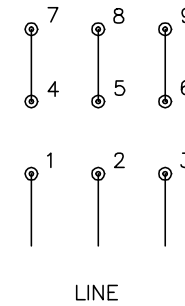
CD0180



LOW VOLTAGE  
(2D)



HIGH VOLTAGE  
(1D)



**NOTES:**

1. INTERCHANGE ANY TWO LINE LEADS TO REVERSE ROTATION.
2. OPTIONAL THERMOSTATS ARE PROVIDED WHEN SPECIFIED.
3. ACTUAL NUMBER OF INTERNAL PARALLEL CIRCUITS MAY BE A MULTIPLE OF THOSE SHOWN ABOVE.
4. LEAD COLORS ARE OPTIONAL. LEADS MUST ALWAYS BE NUMBERED AS SHOWN.

CD0180

REV. DESC: ADD CLASS CONN00000007		
REV. LTR: D	VERSION: 01	TDR: 000001099922
FILE: \AAA\00005\148	REVISED: 10: 25: 29 02/19/2019	BY: ENBRIRO
MTL: -	© □	

**BALDOR - RELIANCE®**

3PH, DV, 9 LEADS, DELTA CONNECTION

SH 1 of 1