



Customer information packet

VLECP2394T

15HP, 3510RPM, 3PH, 60HZ, 254LP, 0934M, TEFC, F

Class - None

Division - Not Applicable

Specifications

Enclosure	TEFC
Frame	254LP
Frame Material	Iron
Frequency	60.00 Hz
Haz Area Class and Group	None
Haz Area Division	Not Applicable
Motor Letter Type	Three Phase
Output @ Frequency	15.000 HP @ 60 HZ
Phase	3
Synchronous Speed @ Frequency	3600 RPM @ 60 HZ
Voltage @ Frequency	230.0 V @ 60 HZ 460.0 V @ 60 HZ
Agency Approvals	CSA CSA EEV UR
Ambient Temperature	40 °C
Auxillary Box	No Auxillary Box
Auxillary Box Lead Termination	None
Base Indicator	No Mounting
Bearing Grease Type	Polyrex EM (-20F +300F)
Blower	None
Constant Torque Speed Range	6
Current @ Voltage	38.000 A @ 208.0 V 34.000 A @ 230.0 V 17.000 A @ 460.0 V
Design Code	B
Drip Cover	Drip Cover
Duty Rating	CONT
Efficiency @ 100% Load	91.0 %
Electrically Isolated Bearing	Not Electrically Isolated
Feedback Device	NO FEEDBACK
Front Face Code	Standard

Part detail

Revision	S
Type	AC
Mech. spec.	09T01
Base	
Status	PRD/A
Elec. spec.	09WGT003
Layout	09LYT001
Eff. date	02-01-2024
CD Diagram	CD0180
Poles	02
Leads	9#12
Proprietary	False
Created date	07-09-2015

Front Shaft Indicator	None
Haz Area Temp Code	T3C
Heater Indicator	No Heater
High Voltage Full Load Amps	17.0 a
Insulation Class	F
Inverter Code	Inverter Duty
KVA Code	G
Lifting Lugs	Vertical Lifting Lugs
Locked Bearing Indicator	Locked Bearing
Max Speed	5400 rpm
Motor Lead Exit	Ko Box
Motor Lead Quantity/Wire Size	9 @ 12 AWG
Motor Lead Termination	Flying Leads
Motor Standards	NEMA
Motor Type	0934M
Mounting Arrangement	F1
Number of Poles	2
Overall Length	25.73 IN
Power Factor	91
Product Family	Super-E Chemical Processing
Pulley End Bearing Type	Thrust
Pulley Face Code	P-Base
Pulley Shaft Indicator	P-Base Groove & Key
Rodent Screen	None
Service Factor	1.15
Shaft Diameter	1.625 IN
Shaft Extension Location	Pulley End
Shaft Ground Indicator	No Shaft Grounding
Shaft Rotation	Reversible
Shaft Slinger Indicator	Shaft Slinger
Speed	3510 rpm
Speed Code	Single Speed
Starting Method	Direct on line
Thermal Device - Bearing	None

Thermal Device - Winding	None
Vibration Sensor Indicator	No Vibration Sensor
Winding Thermal 1	None
Winding Thermal 2	None

Nameplate

NP3241

CAT.NO.	VLECP2394T	P/N		ENCLOSURE	TEFC
SPEC.	09T001T003G1	CC	010A	FRAME	254LP
HP	15	CLASS	F	HZ	60
RPM	3510	RPM MAX	5400	PH	3
VOLT	230/460	MOTOR WEIGHT	298	ODE BRG	6208
AMP	34/17	SER.F.	1.15	PF	91
RATING	40C AMB-CONT	NEMA-NOM-EFF	91	GREASE	POLYREX EM
		INV.TYPE	PWM		
TEMP CODE	T3C	INVERTER-TEMP-CODE	180		
TEMP =	160	C HP FR	60	C HP TO	90
CT HZ FROM	6	CT HZ TO	60		
HTR-VOLTS		HTR-AMPS		HTR-WATTS	
		MAX. SPACE HEATER TEMP.		VT HZ FROM	3
				VT HZ TO	60

AC Induction Motor Performance Data

Record # 51810

Typical performance - not guaranteed values

Winding: 09WGT003-R003		Type: 0934M		Enclosure: TEFC	
Nameplate Data			460 V, 60 Hz: Single Voltage Motor		
Rated Output (HP)	15	Full Load Torque	22.4 LB-FT		
Volts	230/460	Start Configuration	direct on line		
Full Load Amps	34/17	Breakdown Torque	87.8 LB-FT		
R.P.M.	3510	Pull-up Torque	26 LB-FT		
Hz	60 Phase	3	Locked-rotor Torque	32.7 LB-FT	
NEMA Design Code	B KVA Code	G	Starting Current	114 A	
Service Factor (S.F.)	1.15	No-load Current	5.1 A		
NEMA Nom. Eff.	91 Power Factor	91	Line-line Res. @ 25°C	0.65007 Ω	
Rating - Duty	40C AMB-CONT	Temp. Rise @ Rated Load	54°C		
S.F. Amps		Temp. Rise @ S.F. Load	68°C		

Load Characteristics 460 V, 60 Hz, 15 HP

% of Rated Load	25	50	75	100	125	150	S.F.
Power Factor	61	80	88	89	90	90	90
Efficiency	87.4	91.3	91.8	91.2	90.1	88.8	90.5
Speed	3581.4	3562.9	3544	3522.3	3498.5	3472.2	3508
Line amperes	6.66	9.71	13.1	17.3	21.7	26.5	19.9

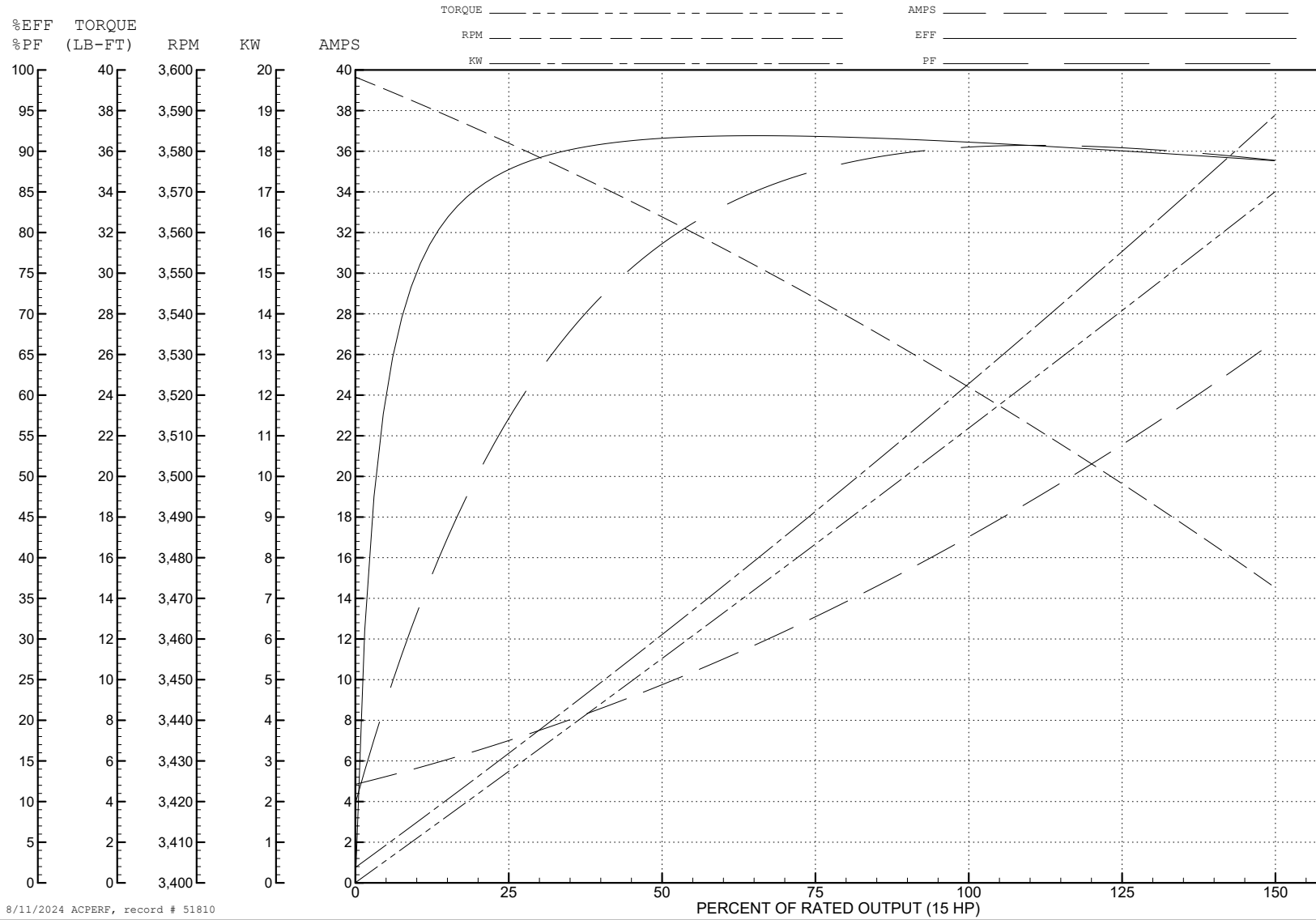
ABB Motors and Mechanical Inc.

WINDING # 09WGT003

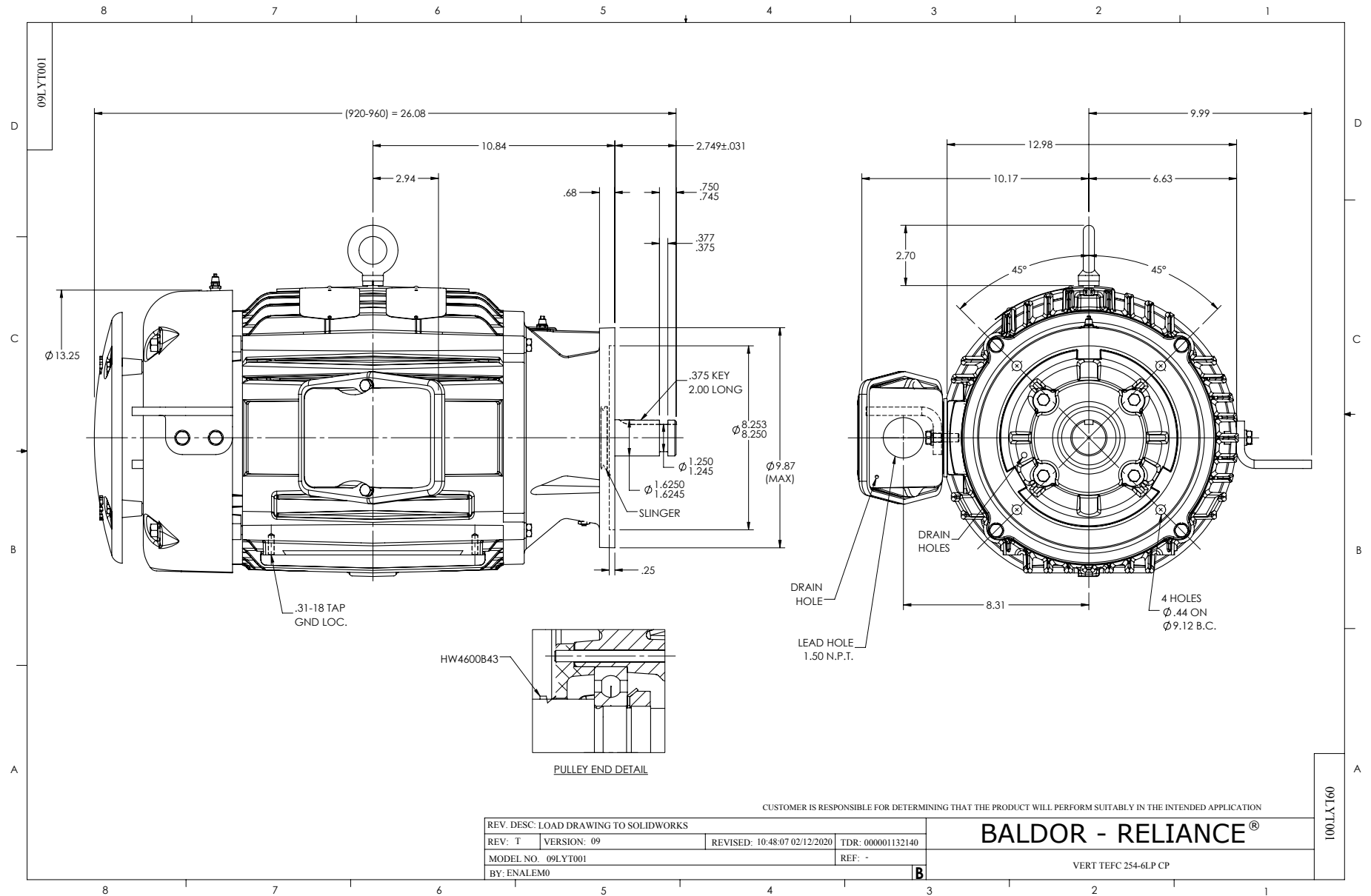
Typical performance - not guaranteed values.

15 HP 3 PH 60 HZ 3510 RPM 460 V 0934M

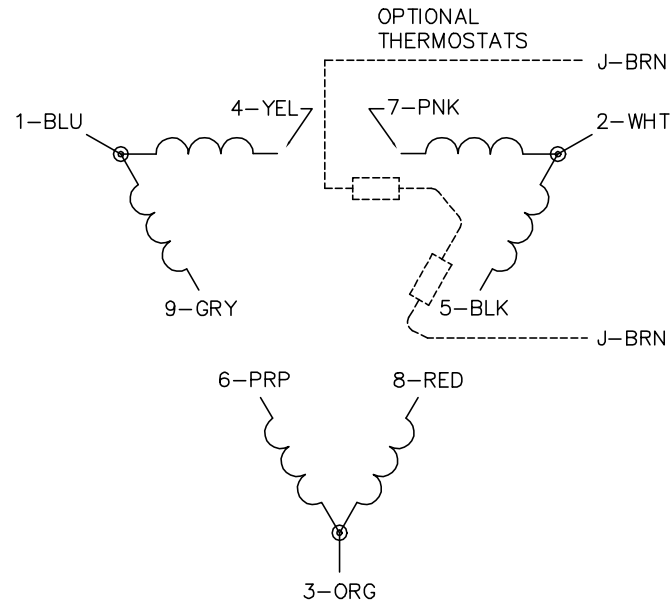
TORQUES (LB-FT): PO=87.8 PU=26 LR=32.7 LRA=114



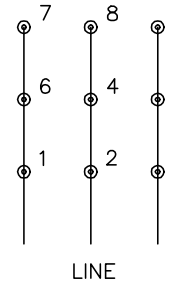
8/11/2024 ACPERF, record # 51810



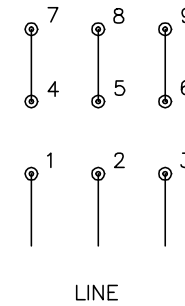
CD0180



LOW VOLTAGE
(2D)



HIGH VOLTAGE
(1D)



NOTES:

1. INTERCHANGE ANY TWO LINE LEADS TO REVERSE ROTATION.
2. OPTIONAL THERMOSTATS ARE PROVIDED WHEN SPECIFIED.
3. ACTUAL NUMBER OF INTERNAL PARALLEL CIRCUITS MAY BE A MULTIPLE OF THOSE SHOWN ABOVE.
4. LEAD COLORS ARE OPTIONAL. LEADS MUST ALWAYS BE NUMBERED AS SHOWN.

CD0180

REV. DESC: ADD CLASS CONN00000007		
REV. LTR: D	VERSION: 01	TDR: 000001099922
FILE: \AAA\00005\148	REVISED: 10: 25: 29 02/19/2019	BY: ENBRIRO
MTL: -	© □	

BALDOR - RELIANCE®

3PH, DV, 9 LEADS, DELTA CONNECTION

SH 1 of 1