

BALDOR • RELIANCE

Customer information packet

VL3506A

.75HP, 3450RPM, 1PH, 60HZ, 56C, 3424L, TEFC, F1

Class - None

Division - Not Applicable

Specifications

Enclosure	TEFC
Frame	56C
Frame Material	Steel
Frequency	60.00 Hz
Haz Area Class and Group	None
Haz Area Division	Not Applicable
Motor Letter Type	Cap Start, Induction Run
Output @ Frequency	.750 HP @ 60 HZ
Phase	1
Synchronous Speed @ Frequency	3600 RPM @ 60 HZ
Voltage @ Frequency	230.0 V @ 60 HZ 115.0 V @ 60 HZ
Agency Approvals	CSA UR
Ambient Temperature	40 °C
Auxillary Box	No Auxillary Box
Auxillary Box Lead Termination	None
Base Indicator	No Mounting
Bearing Grease Type	Polyrex EM (-20F +300F)
Blower	None
Current @ Voltage	9.600 A @ 115.0 V 4.800 A @ 230.0 V
Design Code	N
Drip Cover	No Drip Cover
Duty Rating	CONT
Efficiency @ 100% Load	66.0 %
Electrically Isolated Bearing	Not Electrically Isolated
Feedback Device	NO FEEDBACK
Front Face Code	Standard
Front Shaft Indicator	None
Heater Indicator	No Heater
High Voltage Full Load Amps	4.8 a

Part detail

Revision	R
Type	AC
Mech. spec.	34K043
Base	
Status	PRD/A
Elec. spec.	34WG3514
Layout	34LYK043
Eff. date	01-13-2025
CD Diagram	CD0008
Poles	02
Leads	6#18,1#14 #4TH
Proprietary	False
Created date	01-13-2006

Insulation Class	B
Inverter Code	Not Inverter
KVA Code	K
Lifting Lugs	No Lifting Lugs
Locked Bearing Indicator	Locked Bearing
Motor Lead Exit	Ko Box
Motor Lead Quantity/Wire Size	6 @ 18 AWG
Motor Lead Termination	Flying Leads
Motor Standards	NEMA
Motor Type	3424L
Mounting Arrangement	F1
Number of Poles	2
Overall Length	11.97 IN
Power Factor	74
Product Family	General Purpose
Pulley End Bearing Type	Ball
Pulley Face Code	C-Face
Pulley Shaft Indicator	Standard
Rodent Screen	None
RoHS Status	ROHS COMPLIANT
Service Factor	1.25
Shaft Diameter	0.625 IN
Shaft Extension Location	Pulley End
Shaft Ground Indicator	No Shaft Grounding
Shaft Rotation	Reversible
Shaft Slinger Indicator	No Slinger
Speed	3450 rpm
Speed Code	Single Speed
Starting Method	Direct on line
Thermal Device - Bearing	None
Thermal Device - Winding	Do Not Use Eve-Not Valid
Vibration Sensor Indicator	No Vibration Sensor
Winding Thermal 1	Automatic Thermal Overload
Winding Thermal 1 Location	SB

Winding Thermal 2

None

Nameplate

NP1257L	
CAT.NO.	VL3506A
SPEC.	34K043-3514
HP	.75
VOLTS	115/230
AMP	9.6/4.8
RPM	3450
FRAME	56C HZ 60 PH 1
SER.F.	1.25 CODE K DES N CL B
NEMA-NOM-EFF	66 PF 74
RATING	40C AMB-CONT
CC	
DE	6203 ODE 6203
ENCL	TEFC SN
	SFA 11.4/5.7

AC Induction Motor Performance Data

Record # 6691

Typical performance - not guaranteed values

Winding: 34WG3514-R001		Type: 3424L		Enclosure: TEFC	
Nameplate Data			230 V, 60 Hz: High Voltage Connection		
Rated Output (HP)	.75		Full Load Torque	1.15 LB-FT	
Volts	115/230		Start Configuration	direct on line	
Full Load Amps	9.6/4.8		Breakdown Torque	3.5 LB-FT	
R.P.M.	3450		Pull-up Torque	2.7 LB-FT	
Hz	60 Phase	1	Locked-rotor Torque	3.7 LB-FT	
NEMA Design Code	N KVA Code	K	Starting Current	28 A	
Service Factor (S.F.)	1.25		No-load Current	3.5 A	
NEMA Nom. Eff.	66 Power Factor	74	Line-line Res. @ 25°C	2.5 Ω A Ph 2.5 Ω B Ph	
Rating - Duty	40C AMB-CONT		Temp. Rise @ Rated Load	78°C	
S.F. Amps	11.4/5.7		Temp. Rise @ S.F. Load	92°C	

Load Characteristics 230 V, 60 Hz, 0.75 HP

% of Rated Load	25	50	75	100	125	150	S.F.
Power Factor	36	51	62	70	76	81	76
Efficiency	47.2	61.1	66.5	68.7	68.7	66.7	68.7
Speed	3561	3534	3500	3464	3421	3365	3421
Line amperes	3.6	3.9	4.4	5	5.7	6.7	5.7

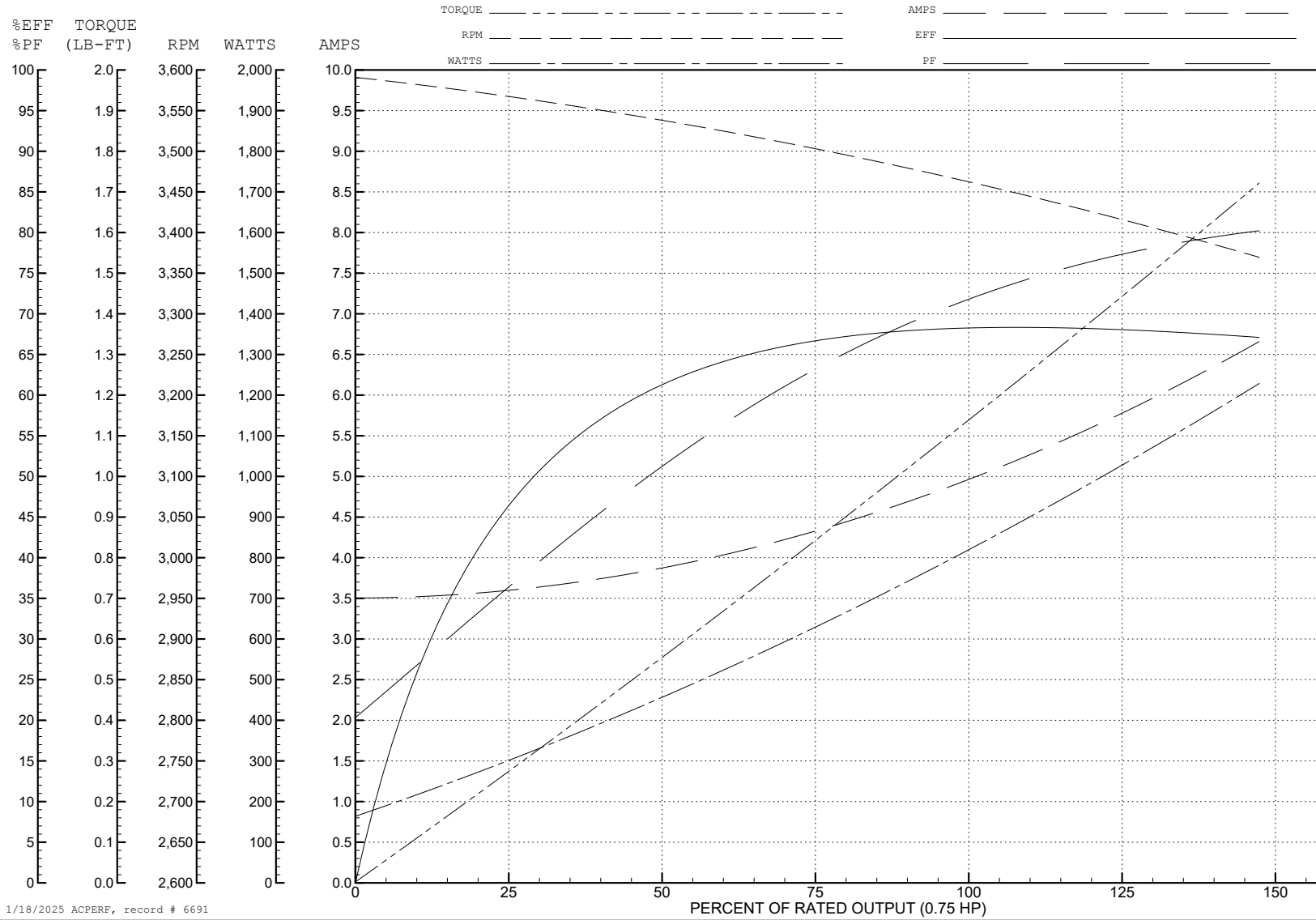
ABB Motors and Mechanical Inc.

WINDING # 34WG3514

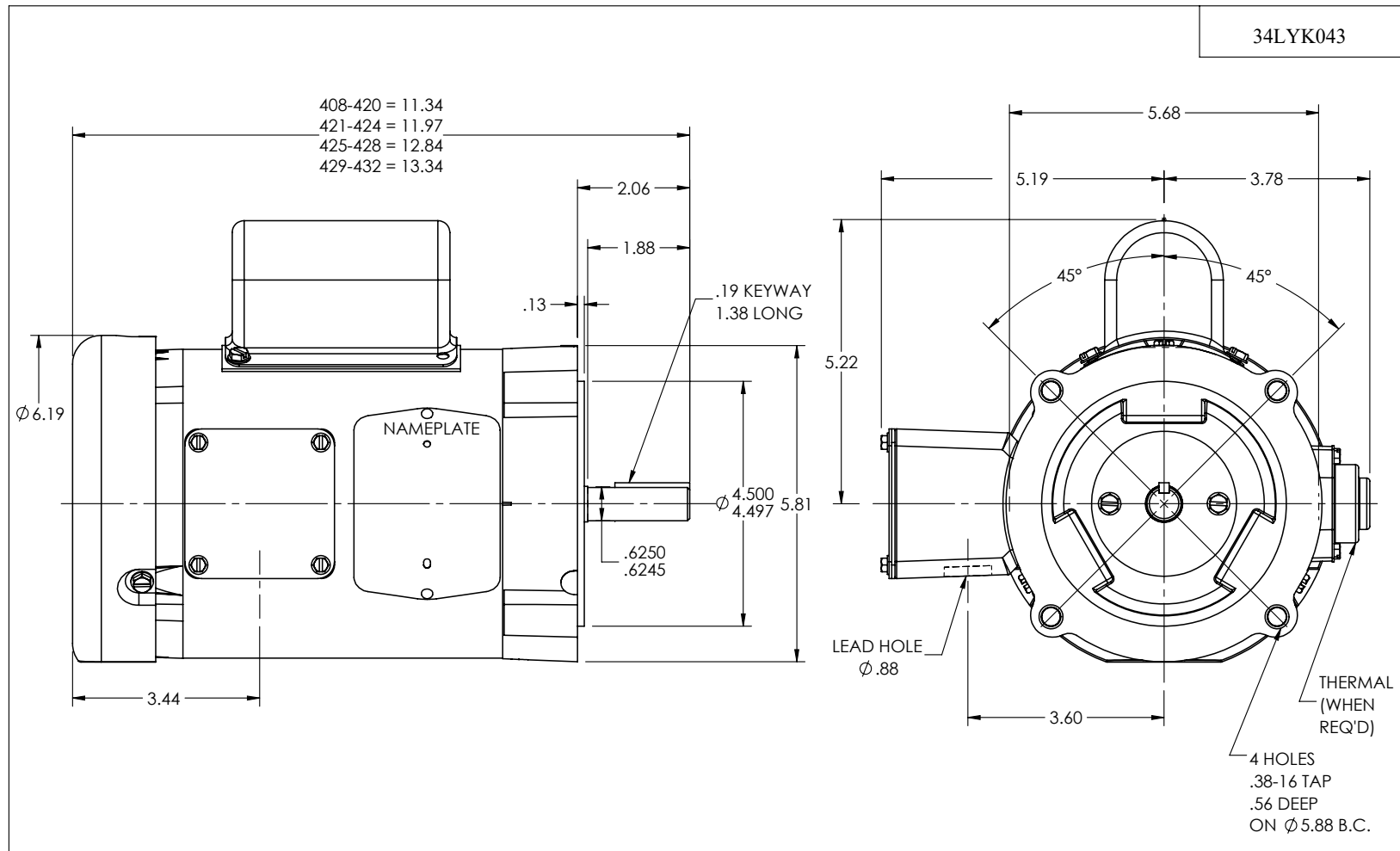
Typical performance - not guaranteed values.

0.75 HP 1 PH 60 HZ 3450 RPM 230 V 3424L

TORQUES (LB-FT): PO=3.5 PU=2.7 LR=3.7 LRA=28



1/18/2025 ACPERF, record # 6691



34LYK043

CUSTOMER IS RESPONSIBLE FOR DETERMINING THAT THE PRODUCT WILL PERFORM SUITABLY IN THE INTENDED APPLICATION

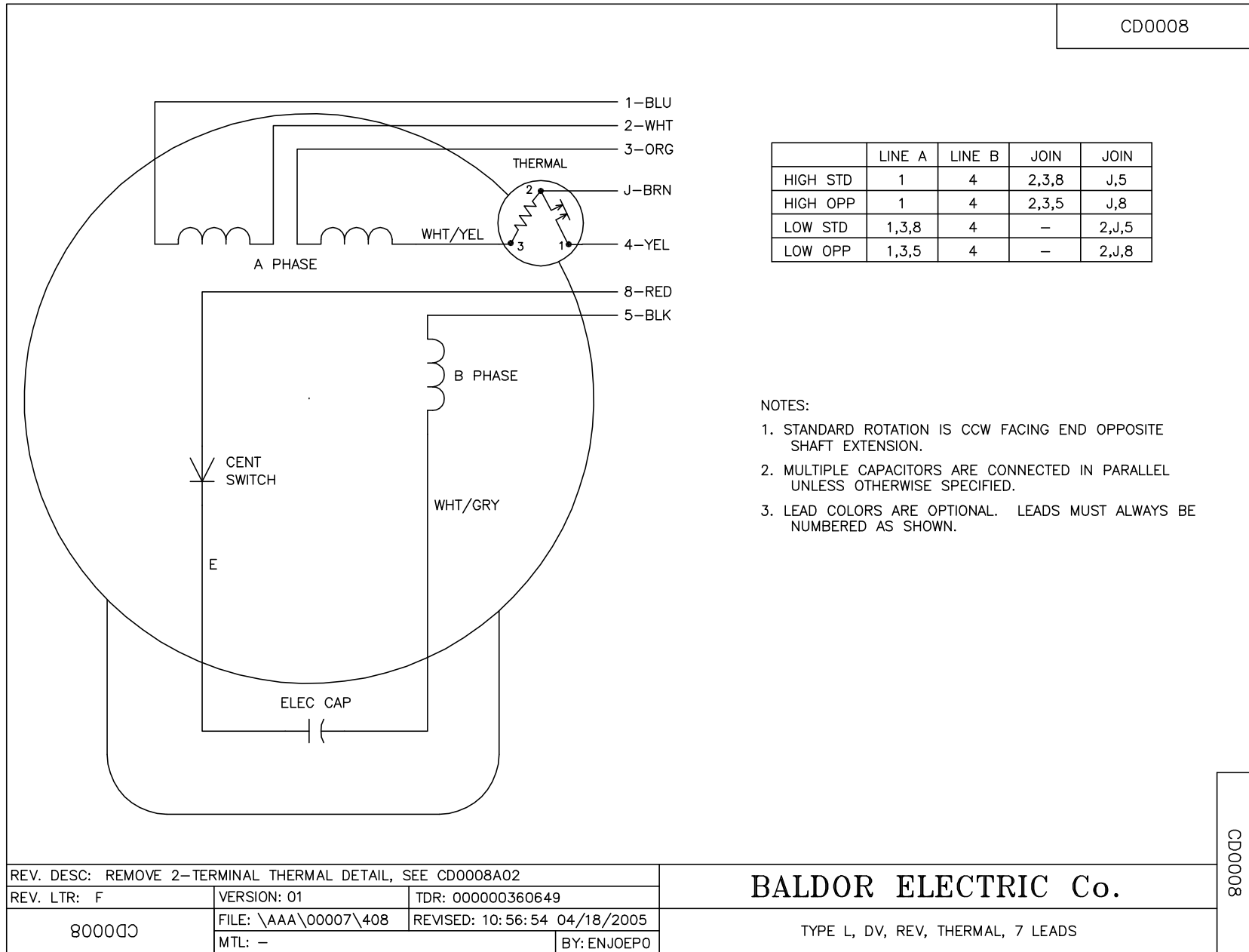
REV. DESC: LOAD TO SOLIDWORKS			
REV: E	VERSION: 02	REVISED: 10:29:37 08/31/2022	TDR: 000001194274
34LYK043	MODEL NO. 34LYK043	REF: -	
	BY: ENFRAJ0		

BALDOR - RELIANCE®

STD VERT 34L NEMA 56C TEFC W/35 CAPACITOR BOX

34LYK043

CD0008



	LINE A	LINE B	JOIN	JOIN
HIGH STD	1	4	2,3,8	J,5
HIGH OPP	1	4	2,3,5	J,8
LOW STD	1,3,8	4	-	2,J,5
LOW OPP	1,3,5	4	-	2,J,8

NOTES:

1. STANDARD ROTATION IS CCW FACING END OPPOSITE SHAFT EXTENSION.
2. MULTIPLE CAPACITORS ARE CONNECTED IN PARALLEL UNLESS OTHERWISE SPECIFIED.
3. LEAD COLORS ARE OPTIONAL. LEADS MUST ALWAYS BE NUMBERED AS SHOWN.

REV. DESC: REMOVE 2-TERMINAL THERMAL DETAIL, SEE CD0008A02		
REV. LTR: F	VERSION: 01	TDR: 000000360649
800000	FILE: \AAA\00007\408	REVISED: 10:56:54 04/18/2005
	MTL: -	BY: ENJOEPO

BALDOR ELECTRIC Co.

TYPE L, DV, REV, THERMAL, 7 LEADS

CD0008