

ABB BALDOR RELIANCE III

Customer information packet

VL1306A

.75HP, 3450RPM, 1PH, 60HZ, 56C, 3424L, OPEN, F1

Class - None

Division - Not Applicable

Specifications

Enclosure	OPEN
Frame	56C
Frame Material	Steel
Frequency	60.00 Hz
Haz Area Class and Group	None
Haz Area Division	Not Applicable
Motor Letter Type	Cap Start, Induction Run
Output @ Frequency	.750 HP @ 60 HZ
Phase	1
Synchronous Speed @ Frequency	3600 RPM @ 60 HZ
Voltage @ Frequency	115.0 V @ 60 HZ 230.0 V @ 60 HZ
Agency Approvals	UR CSA
Ambient Temperature	40 °C
Auxiliary Box	NO AUXILLARY BOX
Auxiliary Box Lead Termination	None
Base Indicator	No Mounting
Bearing Grease Type	Polyrex EM (-20F +300F)
Blower	None
Current @ Voltage	11.000 A @ 115.0 V 5.500 A @ 230.0 V
Design Code	N
Drip Cover	Drip Cover
Duty Rating	CONT
Efficiency @ 100% Load	69.0 %
Electrically Isolated Bearing	Not Electrically Isolated
Feedback Device	NO FEEDBACK
Front Face Code	Terminal Panel
Front Shaft Indicator	None
Heater Indicator	No Heater
High Voltage Full Load Amps	5.5 a

Part Detail

Revision	AC
Type	AC
Mech. spec.	34F493
Base	
Status	PRD/A
Elec. spec.	34WG2414
Layout	34LYF493
Eff. date	10-25-2024
CD Diagram	CD0052
Poles	02
Leads	6#18,1#14 #1TH
Proprietary	False
Created date	01-01-0001

Insulation Class	B
Inverter Code	Not Inverter
KVA Code	J
Lifting Lugs	No Lifting Lugs
Locked Bearing Indicator	Locked Bearing
Motor Lead Exit	Terminal Panel Or Lead Hole
Motor Lead Quantity/Wire Size	6 @ 18 AWG
Motor Lead Termination	Flying Leads
Motor Standards	NEMA
Motor Type	3424L
Mounting Arrangement	F1
Number of Poles	2
Overall Length	12.88 IN
Power Factor	68
Product Family	General Purpose
Pulley End Bearing Type	Ball
Pulley Face Code	C-Face
Pulley Shaft Indicator	Standard
Rodent Screen	None
Service Factor	1.50
Shaft Diameter	0.625 IN
Shaft Extension Location	Pulley End
Shaft Ground Indicator	No Shaft Grounding
Shaft Rotation	Reversible: Connected OPP STD
Shaft Slinger Indicator	No Slinger
Speed	3450 rpm
Speed Code	Single Speed
Starting Method	Direct on line
Thermal Device - Bearing	None
Thermal Device - Winding	None
Vibration Sensor Indicator	No Vibration Sensor
Winding Thermal 1	Automatic Thermal Overload
Winding Thermal 1 Location	ES
Winding Thermal 2	None

Nameplate

NP1257L									
CAT.NO.	VL1306A								
SPEC.	34F493-2414								
HP	.75								
VOLTS	115/230								
AMP	11/5.5								
RPM	3450								
FRAME	56C		HZ	60		PH	1		
SER.F.	1.50	CODE	J	DES	N	CL	B		
NEMA-NOM-EFF	69	PF	68						
RATING	40C AMB-CONT								
CC									
DE	6203	ODE	6203						
ENCL	OPEN	SN							
	SFA 13/6.5								

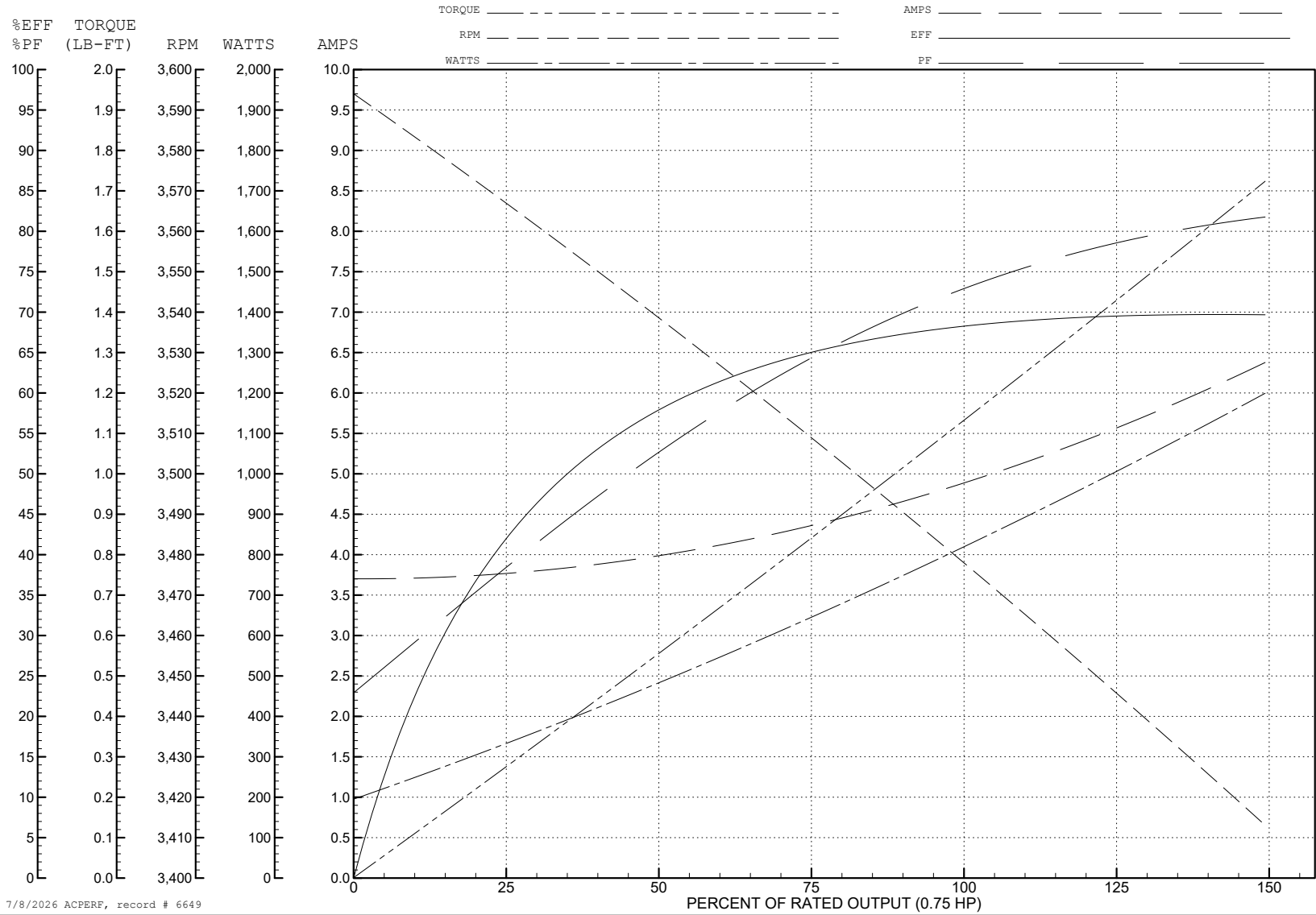
ABB Motors and Mechanical Inc.

WINDING # 34WG2414

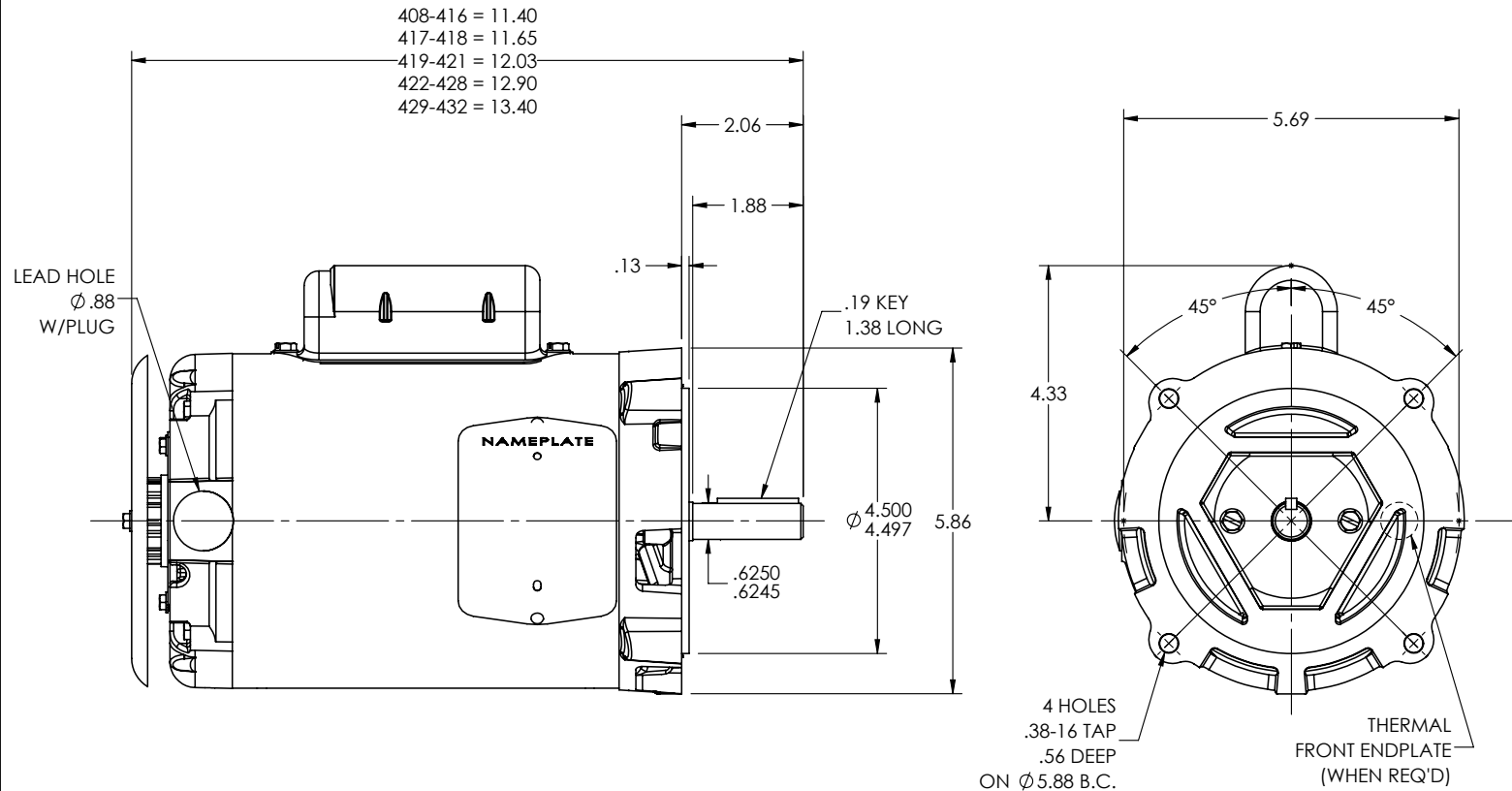
Typical performance - not guaranteed values.

0.75 HP 1 PH 60 HZ 3450 RPM 230 V 3424L

TORQUES (LB-FT): PO=3.98 PU=1.63 LR=2.45 LRA=31.2



34LYF493



CUSTOMER IS RESPONSIBLE FOR DETERMINING THAT THE PRODUCT WILL PERFORM SUITABLY IN THE INTENDED APPLICATION

REV. DESC: LOAD TO SOLIDWORKS - REV "-"

REV: A VERSION: 01 REVISED: 01:52:39 12/29/2022 TDR: 000001201165

34LYF493

MODEL NO. 34LYF493
 BY: ENFRAJ0

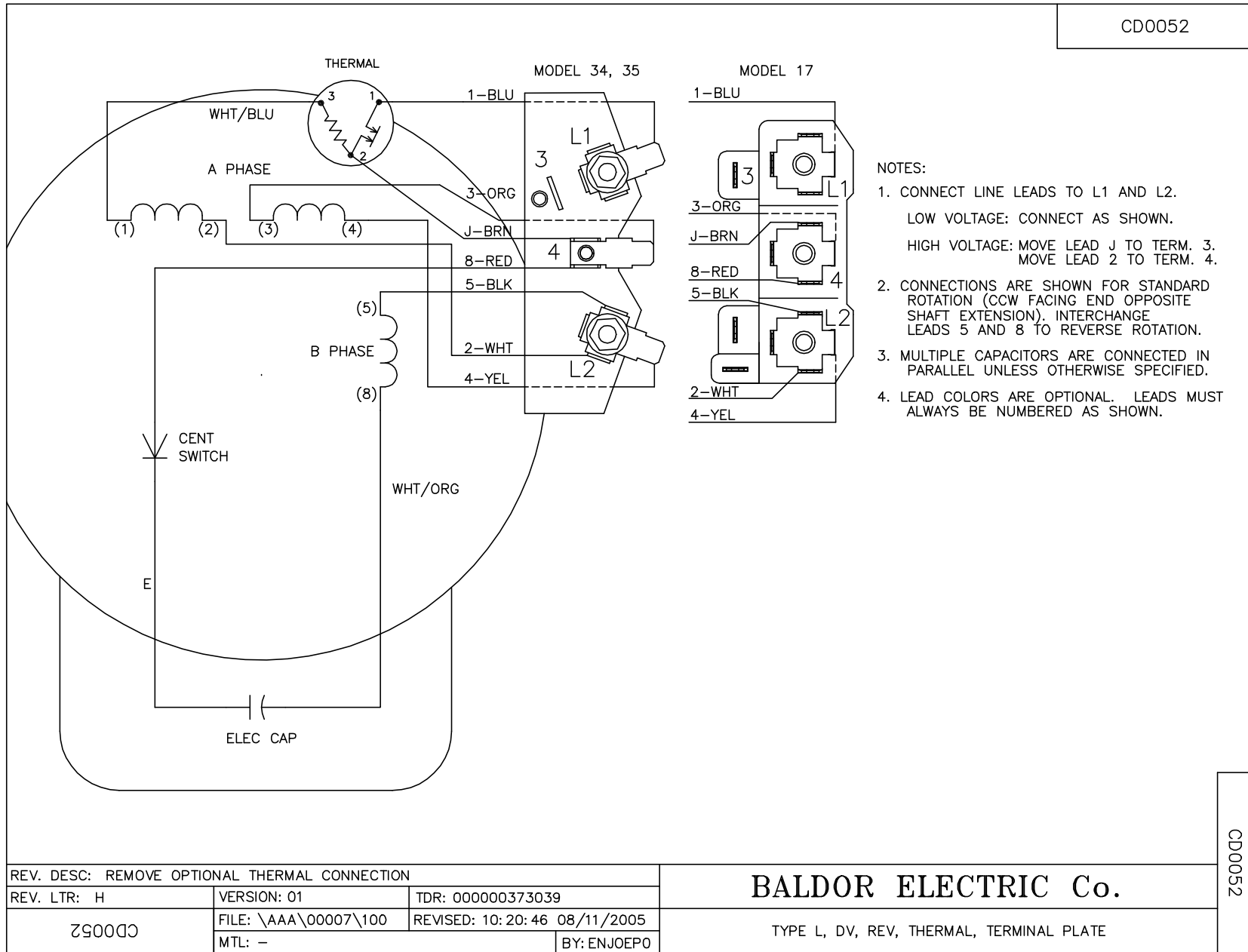
REF: -

BALDOR - RELIANCE®

VERT 34L NEMA 56C OPEN W/DRIP COVER, TERM PLATE & ATO IN FREP

34LYF493

CD0052



REV. DESC: REMOVE OPTIONAL THERMAL CONNECTION		
REV. LTR: H	VERSION: 01	TDR: 000000373039
CD0052	FILE: \AAA\00007\100	REVISED: 10:20:46 08/11/2005
	MTL: -	BY: ENJOEPO

BALDOR ELECTRIC Co.

TYPE L, DV, REV, THERMAL, TERMINAL PLATE

CD0052