

# ABB BALDOR RELIANCE III

---

## Customer information packet

VL1303A

.5HP, 3450RPM, 1PH, 60HZ, 56C, 3420L, OPEN, F1

Class - None

Division - Not Applicable

**Specifications**

<b>Enclosure</b>	OPEN
<b>Frame</b>	56C
<b>Frame Material</b>	Steel
<b>Frequency</b>	60.00 Hz
<b>Haz Area Class and Group</b>	None
<b>Haz Area Division</b>	Not Applicable
<b>Motor Letter Type</b>	Cap Start, Induction Run
<b>Output @ Frequency</b>	.500 HP @ 60 HZ
<b>Phase</b>	1
<b>Synchronous Speed @ Frequency</b>	3600 RPM @ 60 HZ
<b>Voltage @ Frequency</b>	115.0 V @ 60 HZ 230.0 V @ 60 HZ
<b>Agency Approvals</b>	UR CSA
<b>Ambient Temperature</b>	40 °C
<b>Auxiliary Box</b>	NO AUXILLARY BOX
<b>Auxiliary Box Lead Termination</b>	None
<b>Base Indicator</b>	No Mounting
<b>Bearing Grease Type</b>	Polyrex EM (-20F +300F)
<b>Blower</b>	None
<b>Current @ Voltage</b>	3.700 A @ 230.0 V 7.400 A @ 115.0 V
<b>Design Code</b>	N
<b>Drip Cover</b>	Drip Cover
<b>Duty Rating</b>	CONT
<b>Efficiency @ 100% Load</b>	66.0 %
<b>Electrically Isolated Bearing</b>	Not Electrically Isolated
<b>Feedback Device</b>	NO FEEDBACK
<b>Front Face Code</b>	Terminal Panel
<b>Front Shaft Indicator</b>	None
<b>Heater Indicator</b>	No Heater
<b>High Voltage Full Load Amps</b>	3.7 a

**Part Detail**

<b>Revision</b>	W
<b>Type</b>	AC
<b>Mech. spec.</b>	34F493
<b>Base</b>	
<b>Status</b>	PRD/A
<b>Elec. spec.</b>	34WG2413
<b>Layout</b>	34LYF493
<b>Eff. date</b>	10-25-2024
<b>CD Diagram</b>	CD0052
<b>Poles</b>	02
<b>Leads</b>	6#18,1#16 #1TH
<b>Proprietary</b>	False
<b>Created date</b>	01-01-0001

<b>Insulation Class</b>	B
<b>Inverter Code</b>	Not Inverter
<b>KVA Code</b>	L
<b>Lifting Lugs</b>	No Lifting Lugs
<b>Locked Bearing Indicator</b>	Locked Bearing
<b>Motor Lead Exit</b>	Terminal Panel Or Lead Hole
<b>Motor Lead Quantity/Wire Size</b>	6 @ 18 AWG
<b>Motor Lead Termination</b>	Flying Leads
<b>Motor Standards</b>	NEMA
<b>Motor Type</b>	3420L
<b>Mounting Arrangement</b>	F1
<b>Number of Poles</b>	2
<b>Overall Length</b>	12.00 IN
<b>Power Factor</b>	67
<b>Product Family</b>	General Purpose
<b>Pulley End Bearing Type</b>	Ball
<b>Pulley Face Code</b>	C-Face
<b>Pulley Shaft Indicator</b>	Standard
<b>Rodent Screen</b>	None
<b>Service Factor</b>	1.60
<b>Shaft Diameter</b>	0.625 IN
<b>Shaft Extension Location</b>	Pulley End
<b>Shaft Ground Indicator</b>	No Shaft Grounding
<b>Shaft Rotation</b>	Reversible: Connected OPP STD
<b>Shaft Slinger Indicator</b>	No Slinger
<b>Speed</b>	3450 rpm
<b>Speed Code</b>	Single Speed
<b>Starting Method</b>	Direct on line
<b>Thermal Device - Bearing</b>	None
<b>Thermal Device - Winding</b>	None
<b>Vibration Sensor Indicator</b>	No Vibration Sensor
<b>Winding Thermal 1</b>	Automatic Thermal Overload
<b>Winding Thermal 1 Location</b>	SB
<b>Winding Thermal 2</b>	None

**Nameplate**

<b>NP1257L</b>									
<b>CAT.NO.</b>	VL1303A								
<b>SPEC.</b>	34F493-2413								
<b>HP</b>	.5								
<b>VOLTS</b>	115/230								
<b>AMP</b>	7.4/3.7								
<b>RPM</b>	3450								
<b>FRAME</b>	56C		<b>HZ</b>	60		<b>PH</b>	1		
<b>SER.F.</b>	1.60	<b>CODE</b>	L	<b>DES</b>	N	<b>CL</b>	B		
<b>NEMA-NOM-EFF</b>	66	<b>PF</b>	67						
<b>RATING</b>	40C AMB-CONT								
<b>CC</b>									
<b>DE</b>	6203	<b>ODE</b>	6203						
<b>ENCL</b>	OPEN	<b>SN</b>							
	SFA 9.4/4.7								

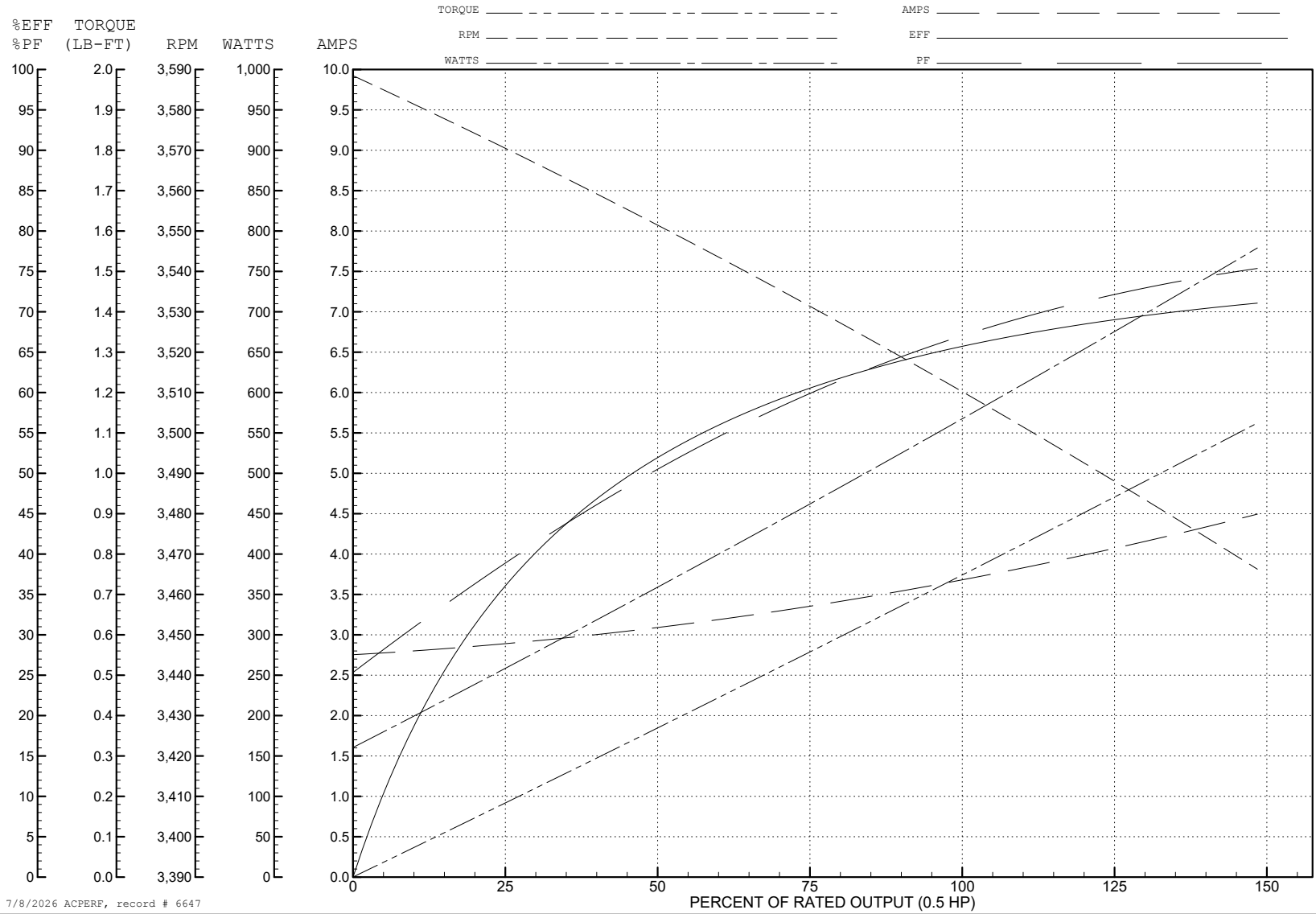
ABB Motors and Mechanical Inc.

WINDING # 34WG2413

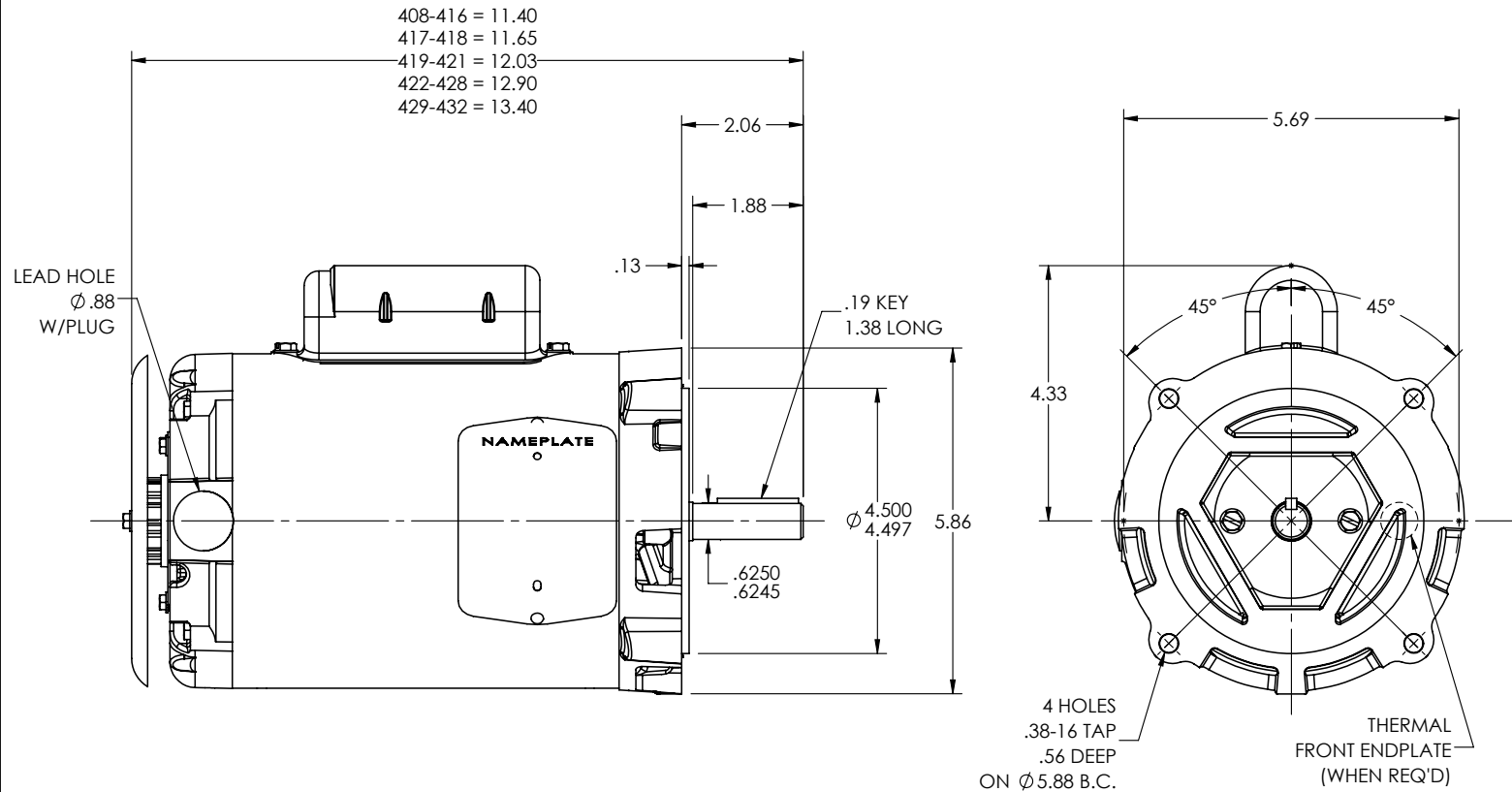
0.5 HP 1 PH 60 HZ 3450 RPM 230 V 3420L

Typical performance - not guaranteed values.

TORQUES (LB-FT): PO=2.3 PU=1.9 LR=2 LRA=20



34LYF493



CUSTOMER IS RESPONSIBLE FOR DETERMINING THAT THE PRODUCT WILL PERFORM SUITABLY IN THE INTENDED APPLICATION

REV. DESC: LOAD TO SOLIDWORKS - REV "-"

REV: A	VERSION: 01	REVISED: 01:52:39 12/29/2022	TDR: 000001201165
--------	-------------	------------------------------	-------------------

34LYF493

MODEL NO. 34LYF493
BY: ENFRAJ0

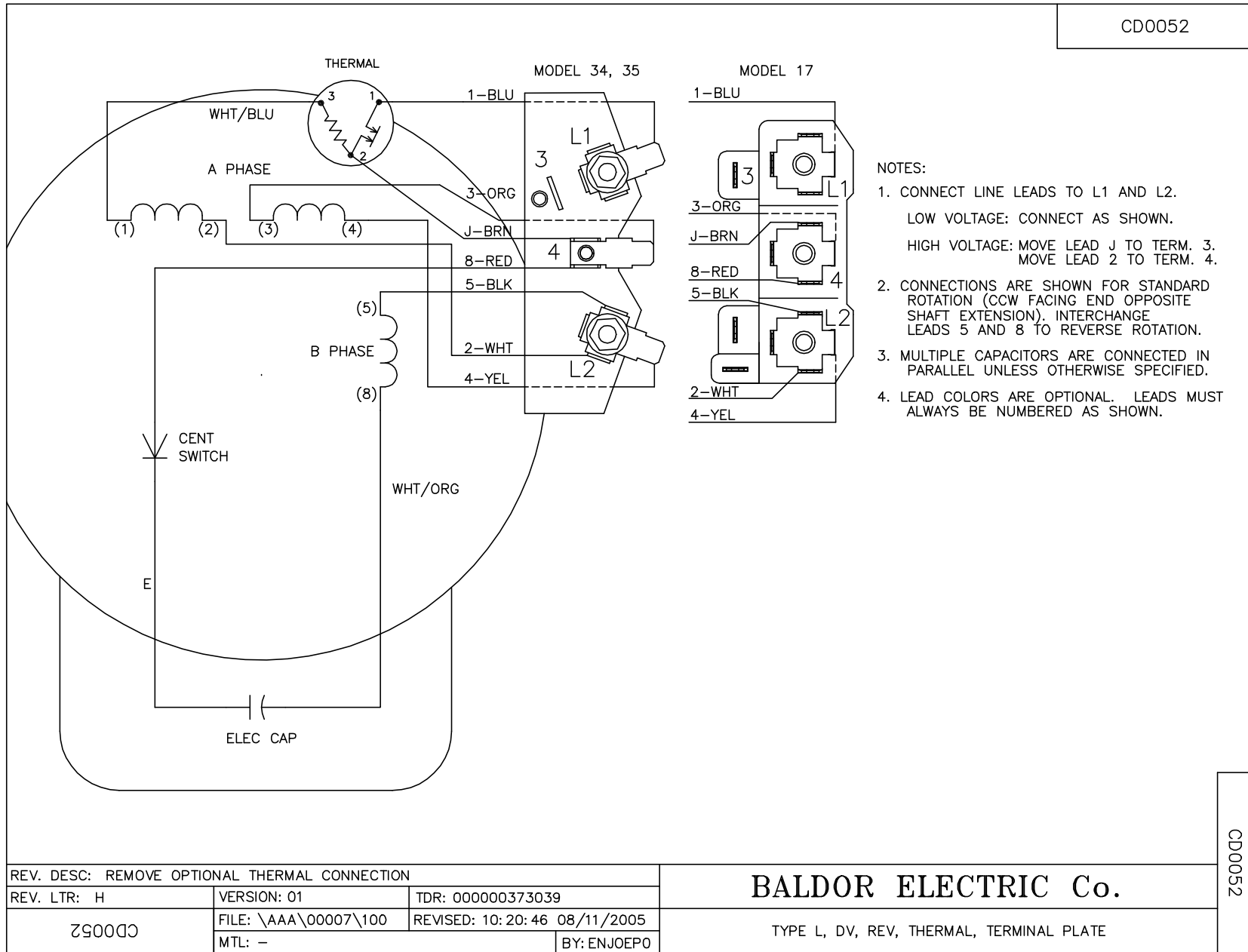
REF: -

**BALDOR - RELIANCE®**

VERT 34L NEMA 56C OPEN W/DRIP COVER, TERM PLATE & ATO IN FREP

34LYF493

CD0052



REV. DESC: REMOVE OPTIONAL THERMAL CONNECTION		
REV. LTR: H	VERSION: 01	TDR: 000000373039
CD0052	FILE: \AAA\00007\100	REVISED: 10:20:46 08/11/2005
	MTL: -	BY: ENJOEPO

**BALDOR ELECTRIC Co.**

TYPE L, DV, REV, THERMAL, TERMINAL PLATE

CD0052