

ABB BALDOR RELIANCE III

Customer information packet

VL1205A

.33HP, 3450RPM, 1PH, 60HZ, 56C, 3416L, OPEN, F1

Class - None

Division - Not Applicable

Specifications

Enclosure	OPEN
Frame	56C
Frame Material	Steel
Frequency	60.00 Hz
Haz Area Class and Group	None
Haz Area Division	Not Applicable
Motor Letter Type	Cap Start, Induction Run
Output @ Frequency	.330 HP @ 60 HZ
Phase	1
Synchronous Speed @ Frequency	3600 RPM @ 60 HZ
Voltage @ Frequency	230.0 V @ 60 HZ 115.0 V @ 60 HZ
Agency Approvals	CSA UR
Ambient Temperature	40 °C
Auxiliary Box	NO AUXILLARY BOX
Auxiliary Box Lead Termination	None
Base Indicator	No Mounting
Bearing Grease Type	Polyrex EM (-20F +300F)
Blower	None
Current @ Voltage	7.000 A @ 115.0 V 3.500 A @ 230.0 V
Design Code	N
Drip Cover	Drip Cover
Duty Rating	CONT
Efficiency @ 100% Load	54.0 %
Electrically Isolated Bearing	Not Electrically Isolated
Feedback Device	NO FEEDBACK
Front Face Code	Terminal Panel
Front Shaft Indicator	None
Heater Indicator	No Heater
High Voltage Full Load Amps	3.5 a

Part Detail

Revision	R
Type	AC
Mech. spec.	34F037
Base	
Status	PRD/A
Elec. spec.	34WG0652
Layout	34LYF037
Eff. date	12-31-2024
CD Diagram	CD0052
Poles	02
Leads	6#18,1#16 #1TH
Proprietary	False
Created date	02-22-2010

Insulation Class	B
Inverter Code	Not Inverter
KVA Code	P
Lifting Lugs	No Lifting Lugs
Locked Bearing Indicator	Locked Bearing
Motor Lead Exit	Terminal Panel Or Lead Hole
Motor Lead Quantity/Wire Size	6 @ 18 AWG
Motor Lead Termination	Flying Leads
Motor Standards	NEMA
Motor Type	3416L
Mounting Arrangement	F1
Number of Poles	2
Overall Length	11.32 IN
Power Factor	56
Product Family	General Purpose
Pulley End Bearing Type	Ball
Pulley Face Code	C-Face
Pulley Shaft Indicator	Standard
Rodent Screen	None
RoHS Status	ROHS COMPLIANT
Service Factor	1.75
Shaft Diameter	0.625 IN
Shaft Extension Location	Pulley End
Shaft Ground Indicator	No Shaft Grounding
Shaft Rotation	Reversible: Connected OPP STD
Shaft Slinger Indicator	No Slinger
Speed	3450 rpm
Speed Code	Single Speed
Starting Method	Direct on line
Thermal Device - Bearing	None
Thermal Device - Winding	None
Vibration Sensor Indicator	No Vibration Sensor
Winding Thermal 1	Automatic Thermal Overload
Winding Thermal 1 Location	SB

Winding Thermal 2

None

Nameplate

NP1257L									
CAT.NO.	VL1205A								
SPEC.	34F037-0652G1								
HP	.33								
VOLTS	115/230								
AMP	7/3.5								
RPM	3450								
FRAME	56C		HZ	60		PH	1		
SER.F.	1.75	CODE	P	DES	N	CL	B		
NEMA-NOM-EFF	54	PF	56						
RATING	40C AMB-CONT								
CC									
DE	6203	ODE	6203						
ENCL	OPEN	SN							
	SFA 8.2/4.1								

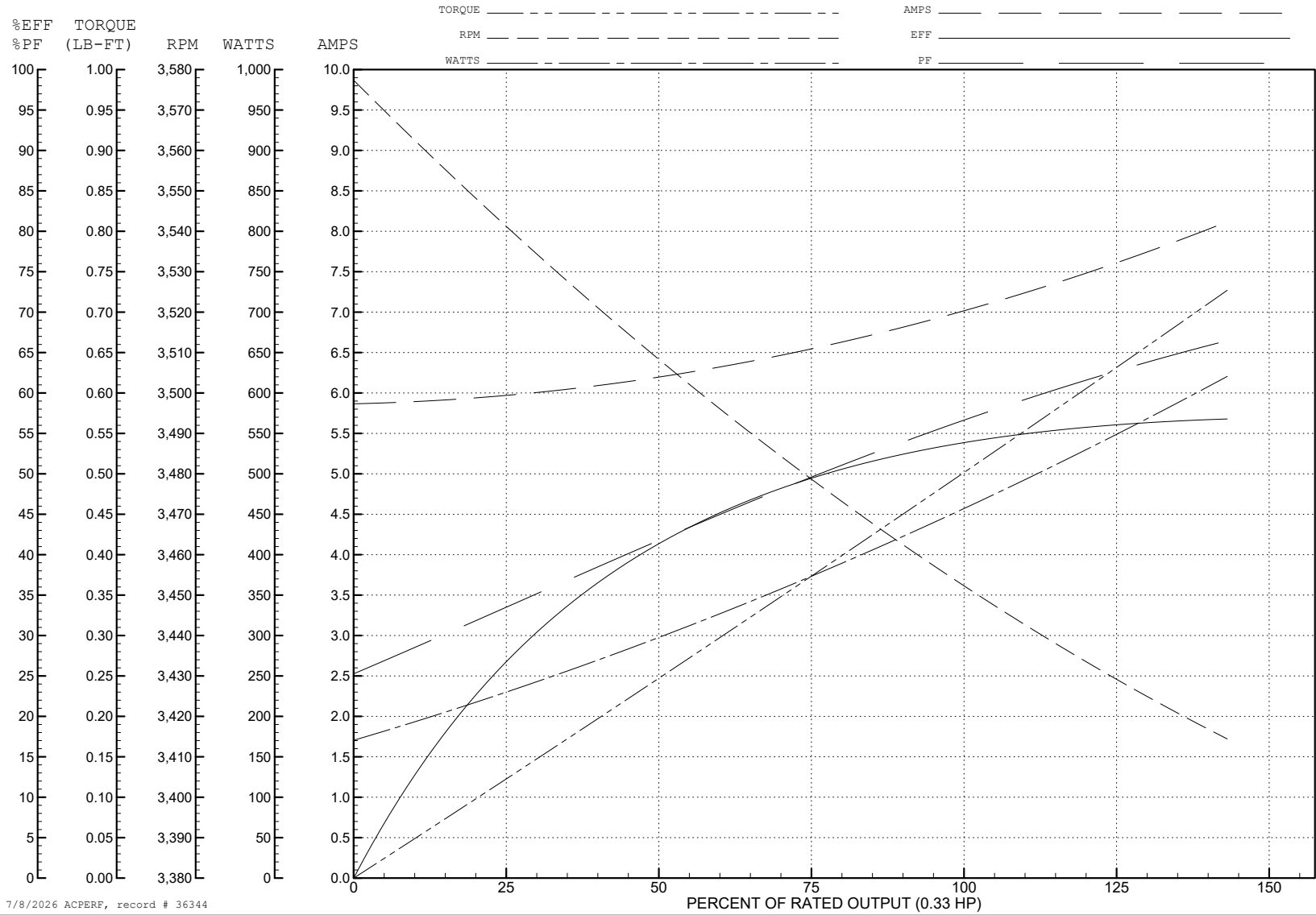
ABB Motors and Mechanical Inc.

WINDING # 34WG0652

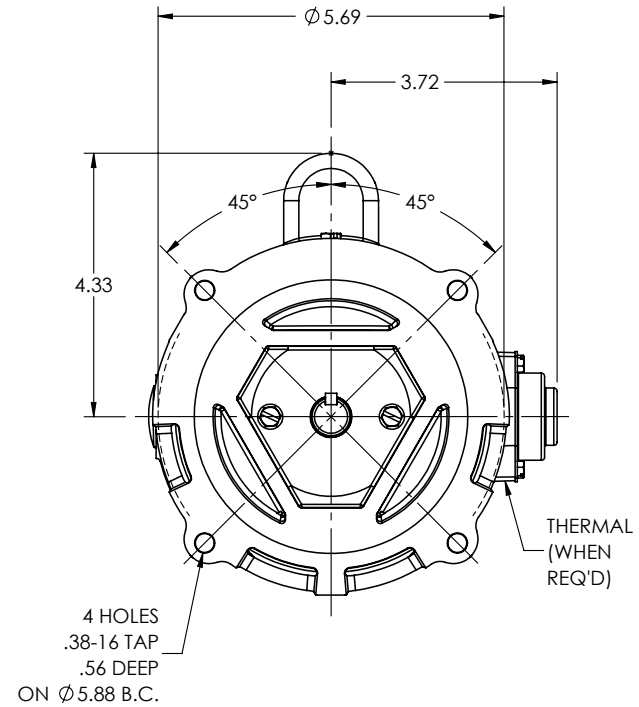
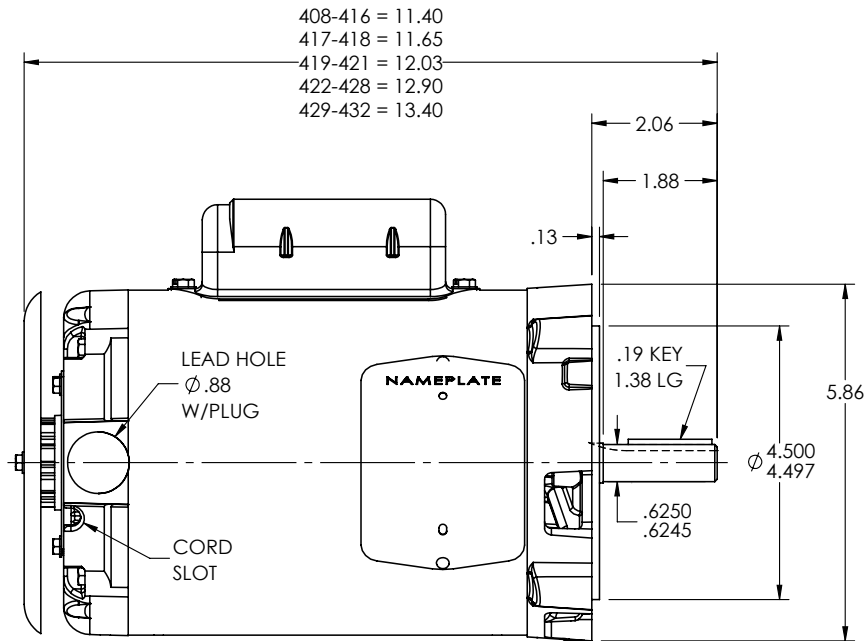
0.33 HP 1 PH 60 HZ 3450 RPM 115 V 3416L

Typical performance - not guaranteed values.

TORQUES (LB-FT) : PO=2 PU=1.6 LR=3 LRA=37



34LYF037



CUSTOMER IS RESPONSIBLE FOR DETERMINING THAT THE PRODUCT WILL PERFORM SUITABLY IN THE INTENDED APPLICATION

REV. DESC: CLEAN UP DIMENSIONING

REV: L VERSION: 03 REVISED: 08:28:39 09/02/2025 TDR: 000001262510

34LYF037

MODEL NO. 34LYF037

BY: ENJEFD0

REF: -

BALDOR - RELIANCE®

STD VERT MODEL 34L NEMA 56C OPEN W/DRIP COVER & TERM PLATE

34LYF037

CD0052

