

BALDOR • RELIANCE

Customer information packet

09G506T276G1

15HP, 1770RPM, 3PH, 60HZ, 254HP, 0948M, OPEN, F

Class - None

Division - Not Applicable

Specifications

Enclosure	OPEN
Frame	254HP
Frame Material	Iron
Frequency	60.00 Hz
Haz Area Class and Group	None
Haz Area Division	Not Applicable
Motor Letter Type	Three Phase
Output @ Frequency	15.000 HP @ 60 HZ
Phase	3
Synchronous Speed @ Frequency	1800 RPM @ 60 HZ
Voltage @ Frequency	460.0 V @ 60 HZ 230.0 V @ 60 HZ
Agency Approvals	CSA CSA EEV UR
Ambient Temperature	40 °C
Auxillary Box	No Auxillary Box
Auxillary Box Lead Termination	None
Base Indicator	No Mounting
Bearing Grease Type	Polyrex EM (-20F +300F)
Blower	None
Current @ Voltage	36.400 A @ 230.0 V 37.400 A @ 208.0 V 18.200 A @ 460.0 V
Design Code	A
Drip Cover	Drip Cover
Duty Rating	CONT
Efficiency @ 100% Load	93.0 %
Electrically Isolated Bearing	Not Electrically Isolated
Feedback Device	NO FEEDBACK
Front Face Code	Drip Cover Mounting
Front Shaft Indicator	None

Part detail

Revision	J
Type	AC
Mech. spec.	09G506
Base	
Status	NLA/A
Elec. spec.	09WGT276
Layout	09LYG506
Eff. date	02-21-2022
CD Diagram	CD0180
Poles	04
Leads	9#12
Proprietary	False
Created date	07-09-2015

Heater Indicator	No Heater
High Voltage Full Load Amps	18.2 a
Insulation Class	F
Inverter Code	Not Inverter
KVA Code	J
Lifting Lugs	Vertical Lifting Lugs
Locked Bearing Indicator	Locked Bearing
Motor Lead Exit	Ko Box
Motor Lead Quantity/Wire Size	9 @ 12 AWG
Motor Lead Termination	Flying Leads
Motor Standards	NEMA
Motor Type	0948M
Mounting Arrangement	F1
Number of Poles	4
Overall Length	26.74 IN
Power Factor	86
Product Family	General Purpose
Pulley End Bearing Type	Ball
Pulley Face Code	P-Base
Pulley Shaft Indicator	P-Base Groove & Key
Rodent Screen	None
Service Factor	1.15
Shaft Diameter	1.125 IN
Shaft Extension Location	Pulley End
Shaft Ground Indicator	No Shaft Grounding
Shaft Rotation	Reversible
Shaft Slinger Indicator	Shaft Slinger
Speed	1770 rpm
Speed Code	Single Speed
Starting Method	Direct on line
Thermal Device - Bearing	None
Thermal Device - Winding	None
Vibration Sensor Indicator	No Vibration Sensor
Winding Thermal 1	None

Winding Thermal 2

None

Nameplate

NP1259L									
CAT.NO.									
SPEC.	09G506T276G1								
HP	15								
VOLTS	230/460								
AMP	36.4/18.2								
RPM	1770								
FRAME	254HP	HZ	60	PH	3				
SER.F.	1.15	CODE	J	DES	A	CL	F		
NEMA-NOM-EFF	93	PF	86						
RATING	40C AMB-CONT								
CC	010A								
DE	6311	ODE	6208						
ENCL	OPEN	SN							

AC Induction Motor Performance Data

Record # 52820

Typical performance - not guaranteed values

Winding: 09WGT276-R001		Type: 0948M		Enclosure: OPEN	
Nameplate Data			460 V, 60 Hz: High Voltage Connection		
Rated Output (HP)	15	Full Load Torque	44.9 LB-FT		
Volts	230/460	Start Configuration	direct on line		
Full Load Amps	36.4/18.2	Breakdown Torque	169 LB-FT		
R.P.M.	1770	Pull-up Torque	66.5 LB-FT		
Hz	60	Locked-rotor Torque	83.3 LB-FT		
NEMA Design Code	A	Starting Current	138 A		
Service Factor (S.F.)	1.15	No-load Current	7.57 A		
NEMA Nom. Eff.	93	Line-line Res. @ 25°C	0.53966 Ω		
Rating - Duty	40C AMB-CONT	Temp. Rise @ Rated Load	32°C		
S.F. Amps		Temp. Rise @ S.F. Load	38°C		
		Locked-rotor Power Factor	33.2		

Load Characteristics 460 V, 60 Hz, 15 HP

% of Rated Load	25	50	75	100	125	150	S.F.
Power Factor	47	68	79	84	86	87	85
Efficiency	89	92.7	93.4	93.2	92.7	91.9	92.9
Speed	1794.1	1787.2	1780.1	1772.4	1764.9	1755.8	1768
Line amperes	8.77	11.2	14.3	18.2	22	26.3	20.5

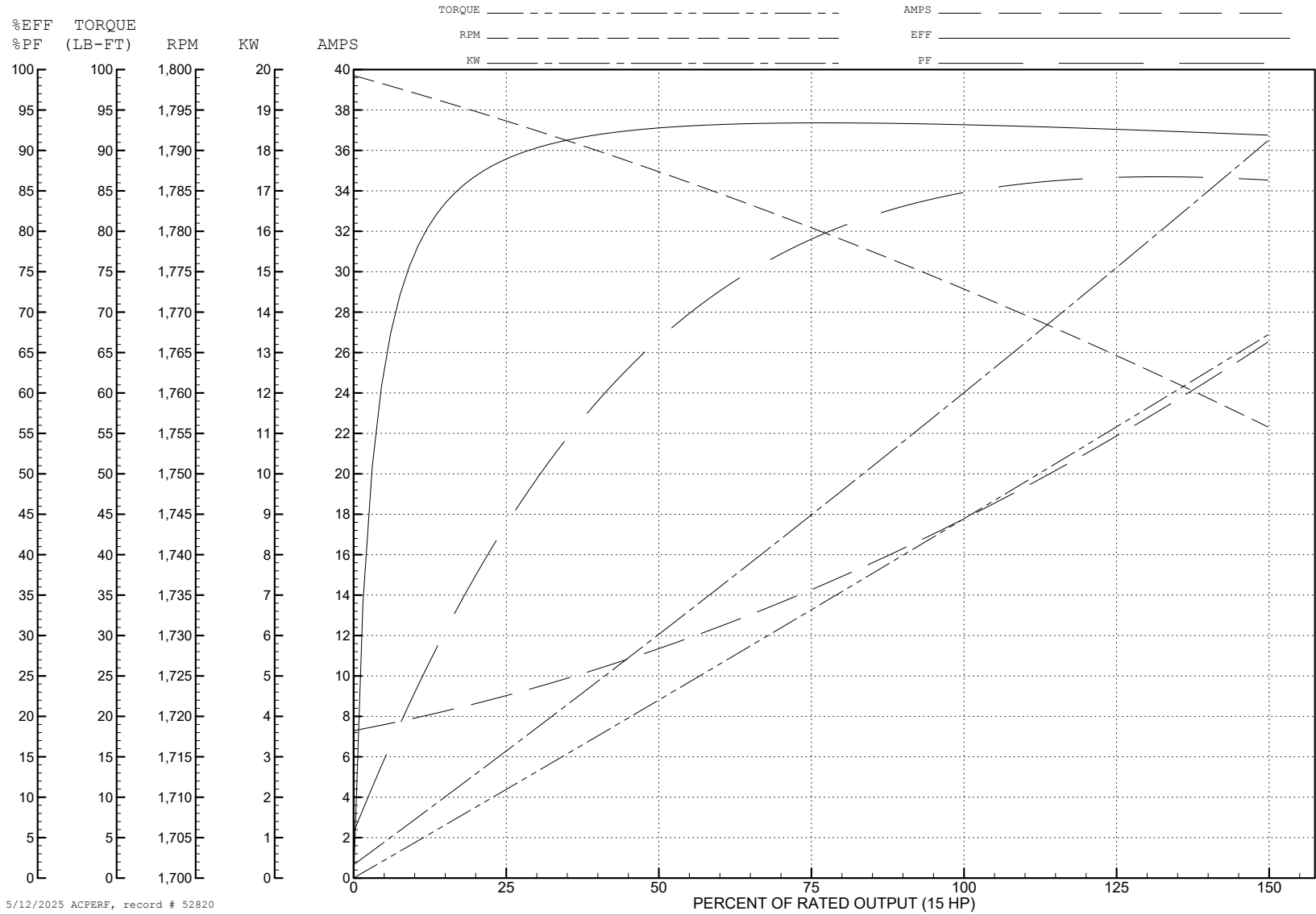
ABB Motors and Mechanical Inc.

WINDING # 09WGT276

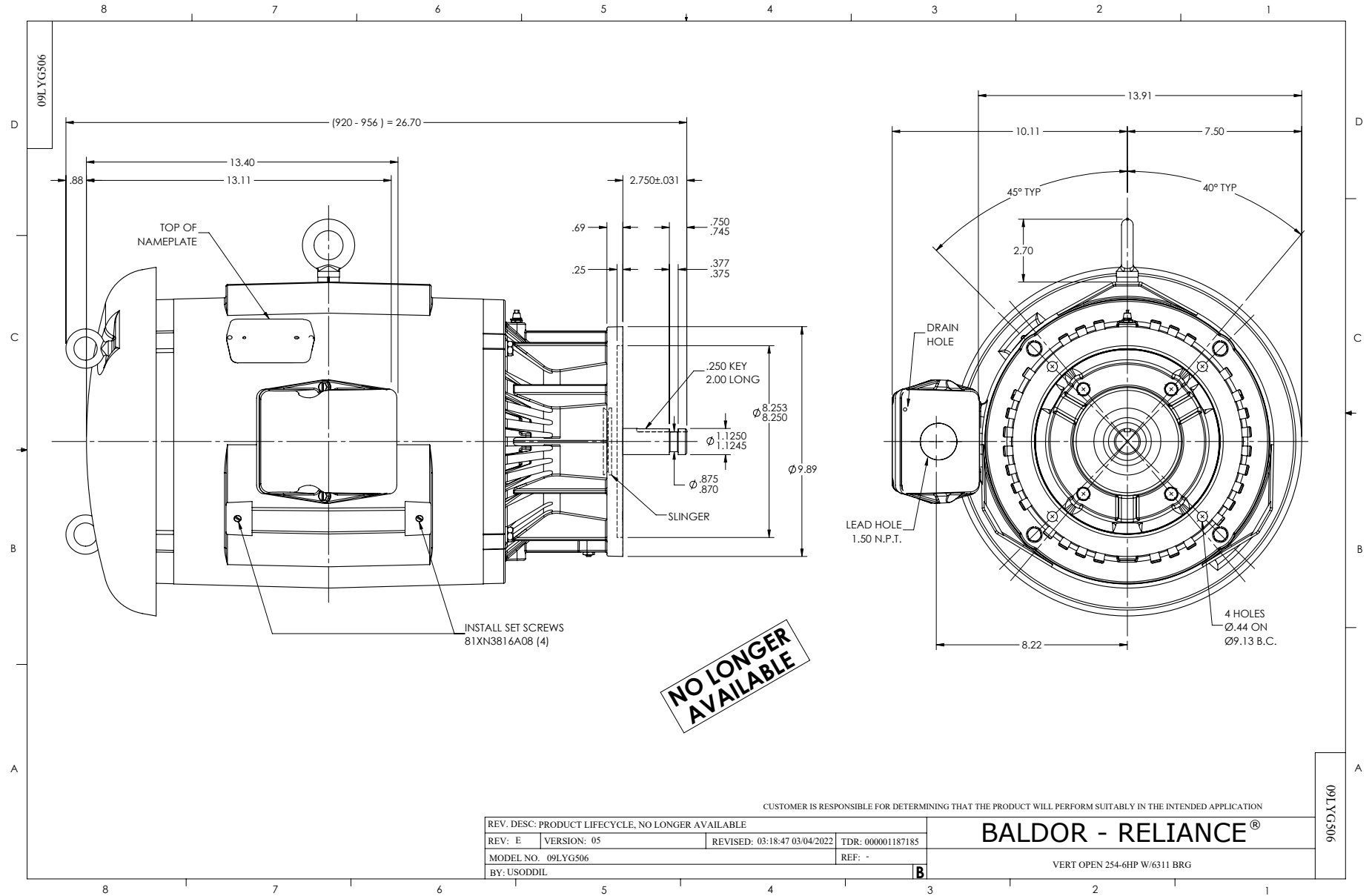
Typical performance - not guaranteed values.

15 HP 3 PH 60 HZ 1770 RPM 460 V 0948M

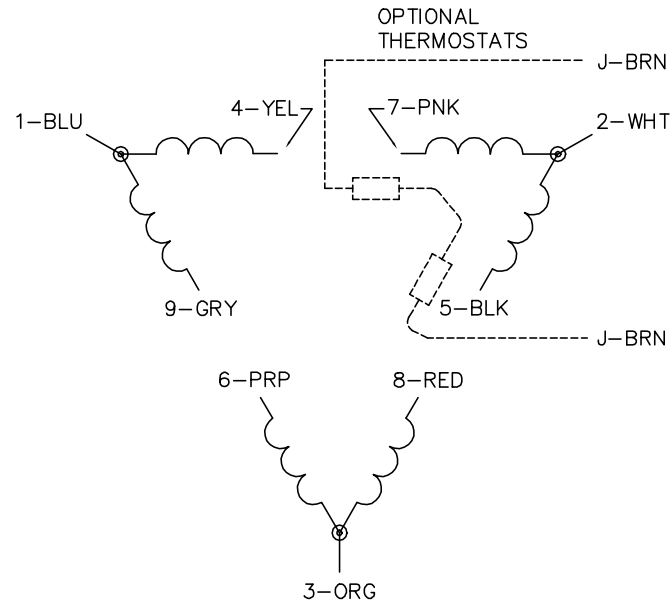
TORQUES (LB-FT): PO=169 PU=66.5 LR=83.3 LRA=138



5/12/2025 ACPERF, record # 52820



CD0180



LOW VOLTAGE
(2D)



HIGH VOLTAGE
(1D)



NOTES:

1. INTERCHANGE ANY TWO LINE LEADS TO REVERSE ROTATION.
2. OPTIONAL THERMOSTATS ARE PROVIDED WHEN SPECIFIED.
3. ACTUAL NUMBER OF INTERNAL PARALLEL CIRCUITS MAY BE A MULTIPLE OF THOSE SHOWN ABOVE.
4. LEAD COLORS ARE OPTIONAL. LEADS MUST ALWAYS BE NUMBERED AS SHOWN.

CD0180

REV. DESC: ADD CLASS CONN00000007		
REV. LTR: D	VERSION: 01	TDR: 000001099922
FILE: \AAA\00005\148	REVISED: 10: 25: 29 02/19/2019	BY: ENBRIRO
MTL: -	© □	

BALDOR - RELIANCE®

3PH, DV, 9 LEADS, DELTA CONNECTION

SH 1 of 1