



Customer information packet

VFSWDNM3555T-E

2HP, 3480RPM, 3PH, 60HZ, 145TC, 3546M, TENV, F1

Class - None

Division - Not Applicable

Specifications

Enclosure	TENV
Frame	145TC
Frame Material	Stainless Steel
Frequency	60.00 Hz
Haz Area Class and Group	None
Haz Area Division	Not Applicable
Motor Letter Type	Three Phase
Output @ Frequency	2.000 HP @ 60 HZ
Phase	3
Synchronous Speed @ Frequency	3600 RPM @ 60 HZ
Voltage @ Frequency	230.0 V @ 60 HZ 460.0 V @ 60 HZ
Agency Approvals	UR CSA
Ambient Temperature	40 °C
Auxillary Box	No Auxillary Box
Auxillary Box Lead Termination	None
Base Indicator	No Mounting
Bearing Grease Type	Polyrex EM (-20F +300F)
Blower	None
Current @ Voltage	2.400 A @ 460.0 V 4.800 A @ 230.0 V
Design Code	B
Drip Cover	No Drip Cover
Duty Rating	CONT
Efficiency @ 100% Load	88.5 %
Electrically Isolated Bearing	Not Electrically Isolated
Feedback Device	NO FEEDBACK
Front Face Code	Standard
Front Shaft Indicator	None
Heater Indicator	No Heater
High Voltage Full Load Amps	2.4 a

Part detail

Revision	N
Type	AC
Mech. spec.	35E4717
Base	
Status	PRD/A
Elec. spec.	35WGL288
Layout	35LYE4717
Eff. date	08-14-2023
CD Diagram	CD0005
Poles	02
Leads	9#18,0#,0#,0# Y
Proprietary	False
Created date	07-10-2017

Insulation Class	H
Inverter Code	Not Inverter
KVA Code	N
Lifting Lugs	No Lifting Lugs
Locked Bearing Indicator	Locked Bearing
Motor Finish	UNPAINTED
Motor Lead Exit	Ko Box
Motor Lead Quantity/Wire Size	@ 0 AWG 9 @ 18 AWG
Motor Lead Termination	Flying Leads
Motor Standards	NEMA
Motor Type	3546M
Mounting Arrangement	F1
Number of Poles	2
Overall Length	15.09 IN
Power Factor	89
Product Family	WD All SS Encapsulated
Pulley End Bearing Type	Sealed Bearing
Pulley Face Code	C-Face
Pulley Shaft Indicator	Standard
Rodent Screen	None
RoHS Status	ROHS COMPLIANT
Service Factor	1.15
Shaft Diameter	0.875 IN
Shaft Extension Location	Pulley End
Shaft Ground Indicator	No Shaft Grounding
Shaft Rotation	Reversible
Shaft Slinger Indicator	No Slinger
Speed	3480 rpm
Speed Code	Single Speed
Starting Method	Direct on line
Thermal Device - Bearing	None
Thermal Device - Winding	None
Vibration Sensor Indicator	No Vibration Sensor

Winding Thermal 1

None

Winding Thermal 2

None

Nameplate

NP4427AAA01														
CAT #	VFSWDM3555T-E					WT	63		LBS					
SPEC	35E4717L288G1					ENCL	TENV							
SER #						CC	010A		IP	69				
HP	2		MAG CUR	1.7/.85										
VOLTS	230/460					NEMA NOM. EFF	88.5							
AMPS	4.8/2.4					PF	89							
RATING	40C AMB-CONT													
RPM	3480					MAX RPM	5400							
FRAME	145TC		HZ	60		CODE	N		CLASS	H				
SER.F.	1.15		SF AMP				PH	3		DES	B			
DE	6205		ODE	6205										
LUBRICATION	POLYREX EM													
ID LOGO	INVERTER TYPE		VPWM		CHP	60		TO	90		1			
ID LOGO	WK2	0.127		CT	15		TO	60		4:1				
ID LOGO	SL HZ	2		VT	3		TO	60		20:1				
YR														

AC Induction Motor Performance Data

Record # 51581

Typical performance - not guaranteed values

Winding: 35WGL288-R001		Type: 3546M		Enclosure: TENV	
Nameplate Data			460 V, 60 Hz: High Voltage Connection		
Rated Output (HP)	2	Full Load Torque	3.04 LB-FT		
Volts	230/460	Start Configuration	direct on line		
Full Load Amps	4.8/2.4	Breakdown Torque	17.3 LB-FT		
R.P.M.	3480	Pull-up Torque	6.76 LB-FT		
Hz	60 Phase	3	Locked-rotor Torque	14.8 LB-FT	
NEMA Design Code	B KVA Code	N	Starting Current	29.7 A	
Service Factor (S.F.)		1.15	No-load Current	0.876 A	
NEMA Nom. Eff.	88.5 Power Factor	89	Line-line Res. @ 25°C	5.3448 Ω	
Rating - Duty		40C AMB-CONT	Temp. Rise @ Rated Load	104°C	
S.F. Amps			Temp. Rise @ S.F. Load	128°C	

Load Characteristics 460 V, 60 Hz, 2 HP

% of Rated Load	25	50	75	100	125	150	S.F.
Power Factor	54	75	85	89	91	93	90
Efficiency	84.9	89.3	89.9	89.2	88.1	86.5	88.5
Speed	3568.9	3541.4	3511.5	3479.4	3445.1	3406.6	3459
Line amperes	1.06	1.41	1.86	2.37	2.92	3.52	2.7

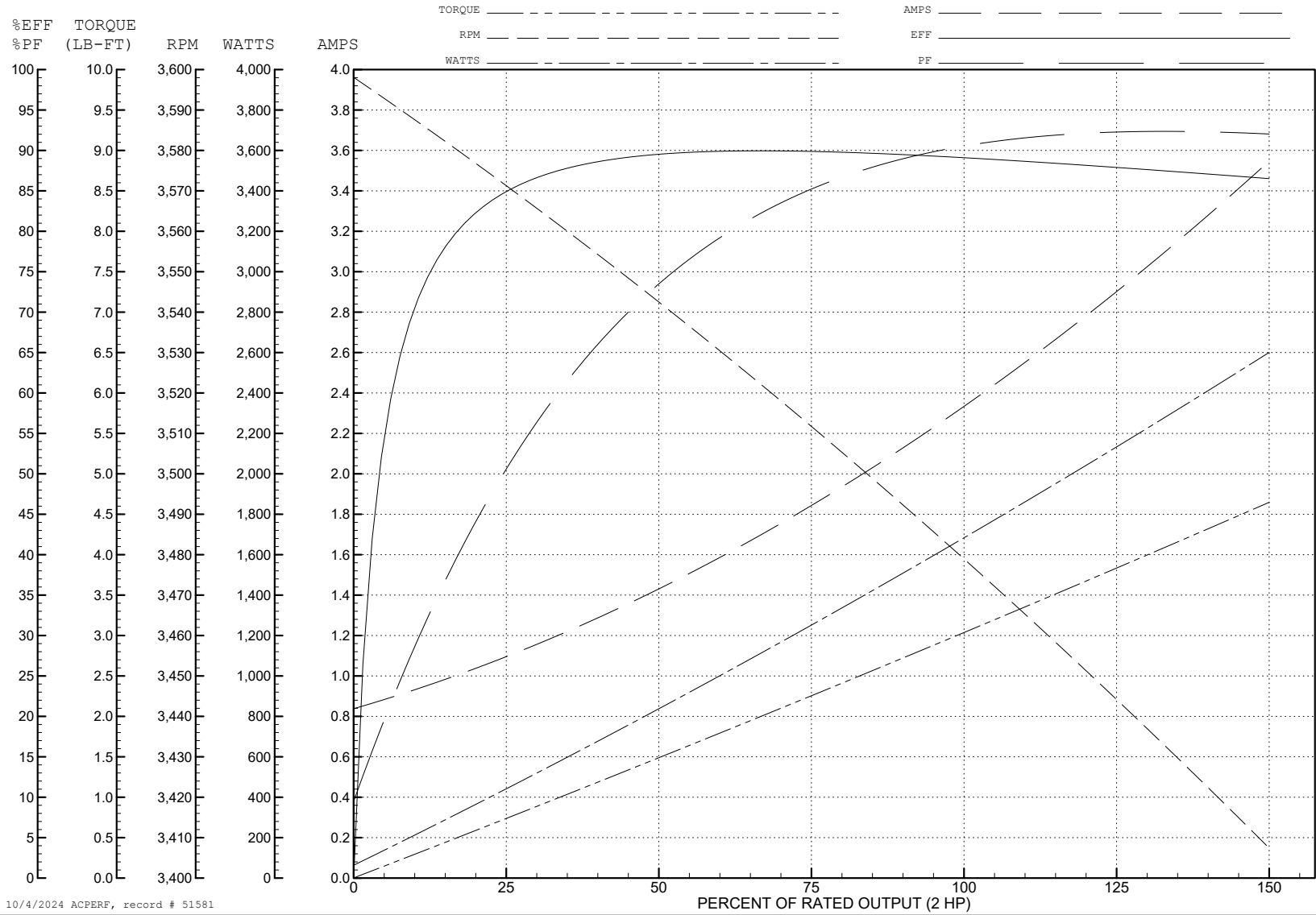
ABB Motors and Mechanical Inc.

WINDING # 35WGL288

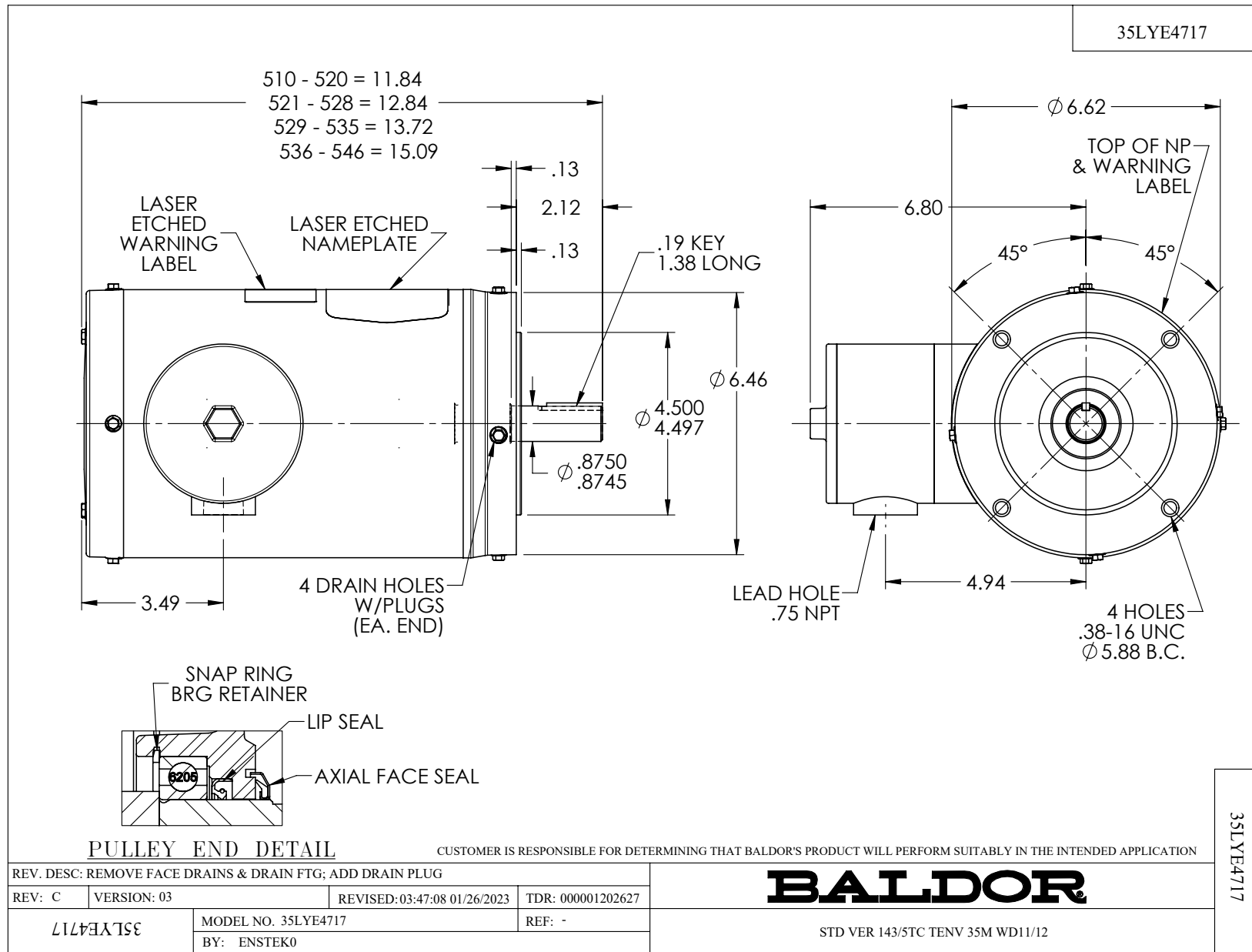
Typical performance - not guaranteed values.

2 HP 3 PH 60 HZ 3480 RPM 460 V 3546M

TORQUES (LB-FT): PO=17.3 PU=6.76 LR=14.8 LRA=29.7



10/4/2024 ACPERF, record # 51581



CD0005



LOW VOLTAGE
(2Y)



LINE

HIGH VOLTAGE
(1Y)



LINE

NOTES:

1. INTERCHANGE ANY TWO LINE LEADS TO REVERSE ROTATION.
2. OPTIONAL THERMOSTATS ARE PROVIDED WHEN SPECIFIED.
3. ACTUAL NUMBER OF INTERNAL PARALLEL CIRCUITS MAY BE A MULTIPLE OF THOSE SHOWN ABOVE.
4. LEAD COLORS ARE OPTIONAL. LEADS MUST ALWAYS BE NUMBERED AS SHOWN.

CD0005

REV. DESC: REVISE TO SHOW OPTIONAL COLORS			
REV. LTR: E	BY: JLP	REVISED: 01/19/99 10:15	TDR: 0171435
S00000		FILE: AAA00005140	MDL: -
		MTL: -	

BALDOR ELECTRIC Co.

3PH, DV, 9 LEADS