

# ABB BALDOR RELIANCE III

---

## Customer information packet

VFSWDM3714T-E

10HP, 1770RPM, 3PH, 60HZ, 215TC, TEFC, F1, N

Class - None

Division - Not Applicable

**Specifications**

|                                       |  |
|---------------------------------------|--|
| <b>Enclosure</b>                      | TEFC   |
| <b>Frame</b>                          | 215TC  |
| <b>Frame Material</b>                 | Stainless Steel  |
| <b>Frequency</b>                      | 60.00 Hz   |
| <b>Haz Area Class and Group</b>       | None   |
| <b>Haz Area Division</b>              | Not Applicable   |
| <b>Motor Letter Type</b>              | Three Phase  |
| <b>Output @ Frequency</b>             | 10.000 HP @ 60 HZ  |
| <b>Phase</b>                          | 3  |
| <b>Synchronous Speed @ Frequency</b>  | 1800 RPM @ 60 HZ   |
| <b>Voltage @ Frequency</b>            | 230.0 V @ 60 HZ<br>460.0 V @ 60 HZ                             |
| <b>Agency Approvals</b>               | CSA<br>CSA EEV<br>NEMA PREMIUM<br>UR                           |
| <b>Ambient Temperature</b>            | 40 °C  |
| <b>Auxiliary Box</b>                  | NO AUXILLARY BOX   |
| <b>Auxiliary Box Lead Termination</b> | None   |
| <b>Base Indicator</b>                 | No Mounting  |
| <b>Bearing Grease Type</b>            | Polyrex EM (-20F +300F)  |
| <b>Blower</b>                         | None   |
| <b>Current @ Voltage</b>              | 26.700 A @ 208.0 V<br>25.000 A @ 230.0 V<br>12.500 A @ 460.0 V |
| <b>Design Code</b>                    | B  |
| <b>Drip Cover</b>                     | No Drip Cover  |
| <b>Duty Rating</b>                    | CONT   |
| <b>Efficiency @ 100% Load</b>         | 92.4 %   |
| <b>Electrically Isolated Bearing</b>  | Not Electrically Isolated                                      |
| <b>Feedback Device</b>                | NO FEEDBACK  |
| <b>Front Shaft Indicator</b>          | None   |

**Part Detail**

|                     |            |
|---------------------|------------|
| <b>Revision</b>     | N          |
| <b>Type</b>         | AC         |
| <b>Mech. spec.</b>  | 37Q227     |
| <b>Base</b>         |            |
| <b>Status</b>       | PRD/A      |
| <b>Elec. spec.</b>  | 37WGS251   |
| <b>Layout</b>       | 37LYQ227   |
| <b>Eff. date</b>    | 09-22-2023 |
| <b>CD Diagram</b>   | CD0180     |
| <b>Poles</b>        | 04         |
| <b>Leads</b>        | 9#14       |
| <b>Proprietary</b>  | False      |
| <b>Created date</b> | 07-10-2017 |

|                                      |                        |
|--------------------------------------|------------------------|
| <b>Heater Indicator</b>              | No Heater              |
| <b>High Voltage Full Load Amps</b>   | 12.5 a                 |
| <b>Insulation Class</b>              | H                      |
| <b>Inverter Code</b>                 | Inverter Ready         |
| <b>KVA Code</b>                      | K                      |
| <b>Lifting Lugs</b>                  | Standard Lifting Lugs  |
| <b>Locked Bearing Indicator</b>      | Locked Bearing         |
| <b>Motor Lead Quantity/Wire Size</b> | 9 @ 14 AWG             |
| <b>Motor Lead Termination</b>        | Flying Leads           |
| <b>Motor Standards</b>               | NEMA                   |
| <b>Motor Type</b>                    | 3756M                  |
| <b>Mounting Arrangement</b>          | F1                     |
| <b>Number of Poles</b>               | 4                      |
| <b>Overall Length</b>                | 22.12 IN               |
| <b>Power Factor</b>                  | 81                     |
| <b>Product Family</b>                | WD All SS Encapsulated |
| <b>Pulley End Bearing Type</b>       | Sealed Bearing         |
| <b>Pulley Face Code</b>              | C-Face                 |
| <b>Pulley Shaft Indicator</b>        | Standard               |
| <b>Rodent Screen</b>                 | None                   |
| <b>RoHS Status</b>                   | ROHS COMPLIANT         |
| <b>Service Factor</b>                | 1.15                   |
| <b>Shaft Diameter</b>                | 1.375 IN               |
| <b>Shaft Ground Indicator</b>        | No Shaft Grounding     |
| <b>Shaft Rotation</b>                | Reversible             |
| <b>Shaft Slinger Indicator</b>       | No Slinger             |
| <b>Speed</b>                         | 1770 rpm               |
| <b>Speed Code</b>                    | Single Speed           |
| <b>Starting Method</b>               | Direct on line         |
| <b>Thermal Device - Bearing</b>      | None                   |
| <b>Thermal Device - Winding</b>      | None                   |
| <b>Vibration Sensor Indicator</b>    | No Vibration Sensor    |
| <b>Winding Thermal 1</b>             | None                   |
| <b>Winding Thermal 2</b>             | None                   |

**Nameplate**

**NP4427AAA05**

|                    |               |                      |                   |
|--------------------|---------------|----------------------|-------------------|
| <b>CAT #</b>       | VFSWDM3714T-E | <b>LBS</b>           |                   |
| <b>SPEC</b>        | 37Q227S251G1  | <b>ENCL</b>          | TEFC              |
| <b>SER #</b>       |               | <b>CC</b>            | 010A <b>IP</b> 69 |
| <b>HP</b>          | 10            | <b>MAG CUR</b>       | 12.6/6.3          |
| <b>VOLTS</b>       | 230/460       | <b>NEMA NOM. EFF</b> | 92.4              |
| <b>AMPS</b>        | 25/12.5       | <b>PF</b>            | 81                |
| <b>RATING</b>      | 40C AMB-CONT  |                      |                   |
| <b>RPM</b>         | 1770          | <b>MAX RPM</b>       | 2700              |
| <b>FRAME</b>       | 215TC         | <b>HZ</b>            | 60                |
|                    |               | <b>CODE</b>          | K                 |
|                    |               | <b>CLASS</b>         | H                 |
| <b>SER.F.</b>      | 1.15          | <b>SF AMP</b>        |                   |
|                    |               | <b>PH</b>            | 3                 |
|                    |               | <b>DES</b>           | B                 |
| <b>DE</b>          | 6307          | <b>ODE</b>           | 6307              |
| <b>LUBRICATION</b> | POLYREX EM    |                      |                   |
| <b>ID LOGO</b>     | <b>VPWM</b>   | <b>CHP</b>           | 60                |
|                    |               | <b>TO</b>            | 90                |
|                    |               |                      | 1.5:1             |
| <b>ID LOGO</b>     | <b>WK2</b>    | 1.38                 | <b>CT</b>         |
|                    |               |                      | 15                |
|                    |               | <b>TO</b>            | 60                |
|                    |               |                      | 4:1               |
| <b>ID LOGO</b>     | <b>SL HZ</b>  | 1                    | <b>VT</b>         |
|                    |               |                      | 6                 |
|                    |               | <b>TO</b>            | 60                |
|                    |               |                      | 10:1              |
|                    |               |                      |                   |
|                    |               |                      |                   |
|                    |               |                      |                   |
| <b>YR</b>          |               |                      | <b>QR</b>         |

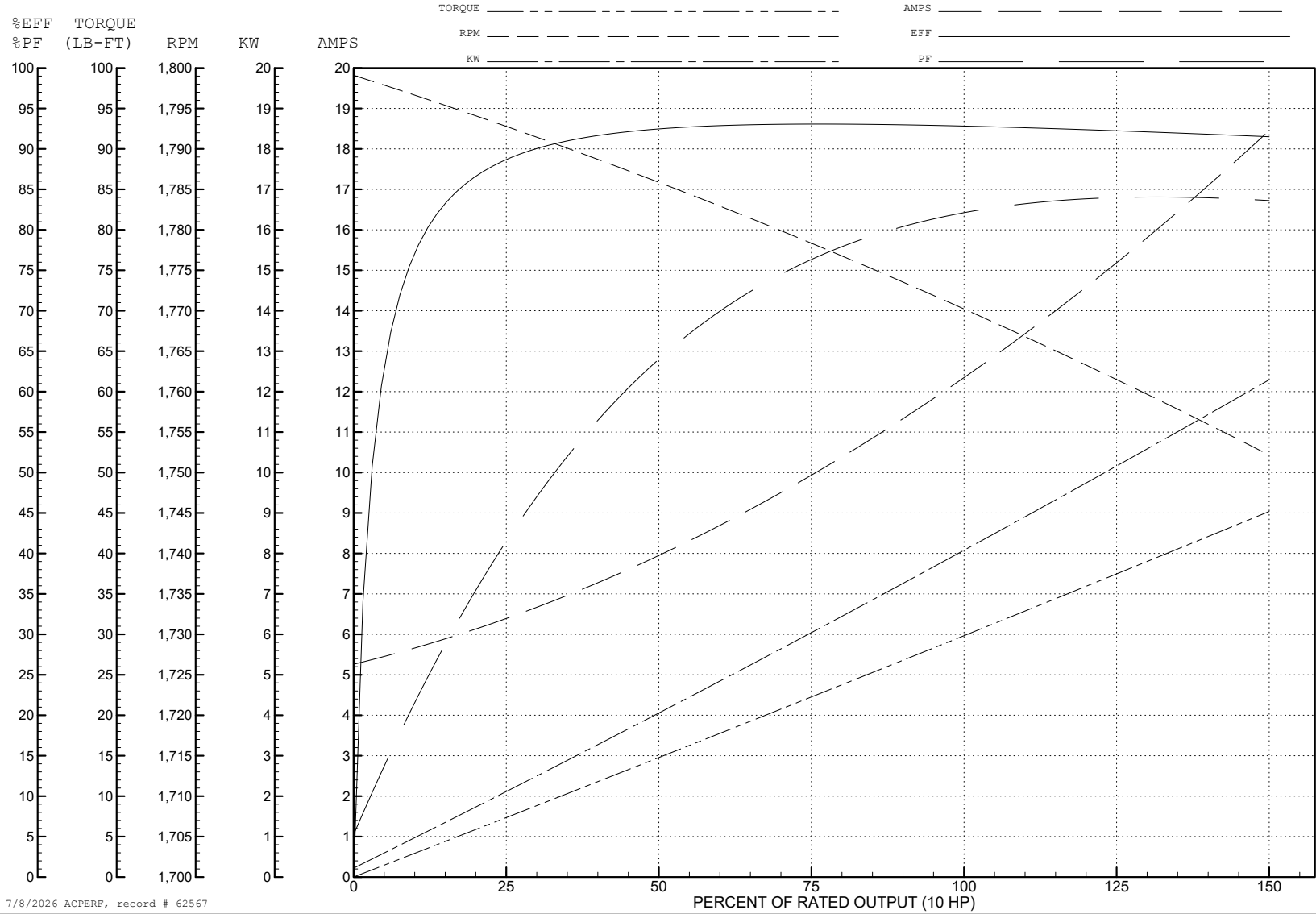
ABB Motors and Mechanical Inc.

WINDING # 37WGS251

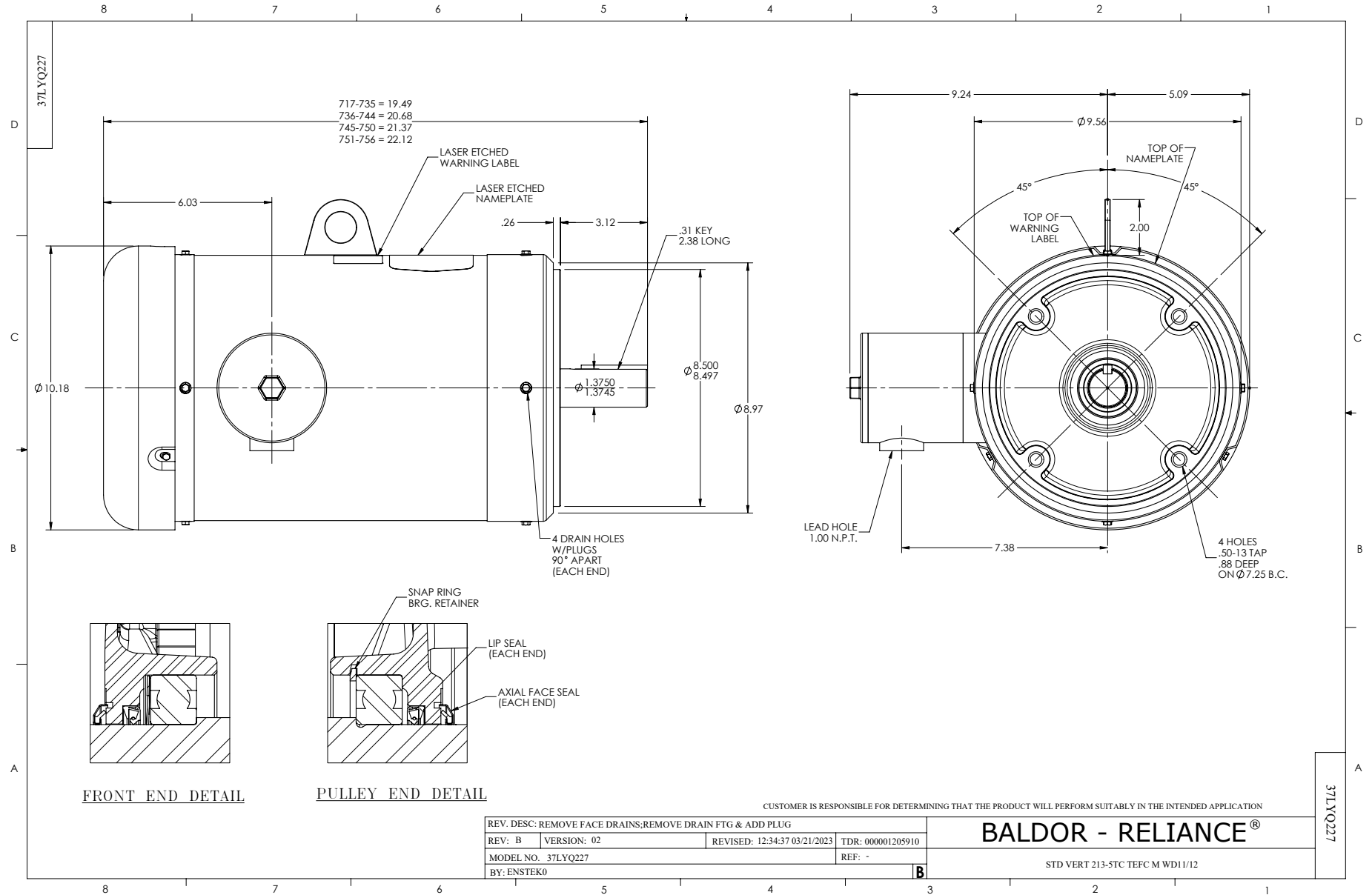
Typical performance - not guaranteed values.

10 HP 3 PH 60 HZ 1770 RPM 460 V 3756M

TORQUES (LB-FT): PO=102 PU=53.6 LR=74.2 LRA=105



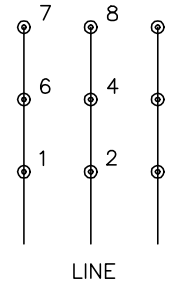
7/8/2026 ACPERF, record # 62567



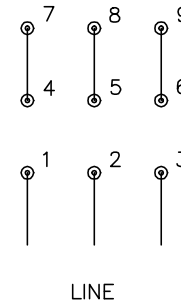
CD0180



LOW VOLTAGE  
(2D)



HIGH VOLTAGE  
(1D)



NOTES:

1. INTERCHANGE ANY TWO LINE LEADS TO REVERSE ROTATION.
2. OPTIONAL THERMOSTATS ARE PROVIDED WHEN SPECIFIED.
3. ACTUAL NUMBER OF INTERNAL PARALLEL CIRCUITS MAY BE A MULTIPLE OF THOSE SHOWN ABOVE.
4. LEAD COLORS ARE OPTIONAL. LEADS MUST ALWAYS BE NUMBERED AS SHOWN.

CD0180

|                                   |                                |                   |
|-----------------------------------|--------------------------------|-------------------|
| REV. DESC: ADD CLASS CONN00000007 |                                |                   |
| REV. LTR: D                       | VERSION: 01                    | TDR: 000001099922 |
| FILE: \AAA\00005\148              | REVISED: 10: 25: 29 02/19/2019 | BY: ENBRIRO       |
| MTL: -                            | © □                            |                   |

**BALDOR - RELIANCE®**

3PH, DV, 9 LEADS, DELTA CONNECTION

SH 1 of 1