

**BALDOR • RELIANCE**

---

# Customer information packet

## VFSWDM3713T-E

15HP, 3500RPM, 3PH, 60HZ, 215TC, 3756M, TEFC, F

Class - None

Division - Not Applicable

## Specifications

Enclosure	TEFC
Frame	215TC
Frame Material	Stainless Steel
Frequency	60.00 Hz
Motor Letter Type	Three Phase
Output @ Frequency	15.000 HP @ 60 HZ
Phase	3
Synchronous Speed @ Frequency	3600 RPM @ 60 HZ
Voltage @ Frequency	230.0 V @ 60 HZ 460.0 V @ 60 HZ
XP Class and Group	None
XP Division	Not Applicable
Agency Approvals	CSA CSA EEV NEMA PREMIUM UR
Ambient Temperature	40 °C
Auxillary Box	No Auxillary Box
Auxillary Box Lead Termination	None
Base Indicator	No Mounting
Bearing Grease Type	Polyrex EM (-20F +300F)
Blower	None
Current @ Voltage	37.000 A @ 208.0 V 34.000 A @ 230.0 V 17.000 A @ 460.0 V
Design Code	A
Drip Cover	No Drip Cover
Duty Rating	CONT
Efficiency @ 100% Load	91.7 %
Electrically Isolated Bearing	Not Electrically Isolated
Feedback Device	NO FEEDBACK
Front Face Code	Standard

## Part detail

Revision	M
Type	AC
Mech. spec.	37Q227
Base	
Status	PRD/A
Elec. spec.	37WGR515
Layout	37LYQ227
Eff. date	09-22-2023
CD Diagram	CD0180
Poles	02
Leads	9#14
Proprietary	False
Created date	06-30-2017

Front Shaft Indicator	None
Heater Indicator	No Heater
High Voltage Full Load Amps	17.0 a
Insulation Class	H
Inverter Code	Not Inverter
KVA Code	L
Lifting Lugs	Standard Lifting Lugs
Locked Bearing Indicator	Locked Bearing
Motor Lead Exit	Ko Box
Motor Lead Quantity/Wire Size	9 @ 14 AWG
Motor Lead Termination	Flying Leads
Motor Standards	NEMA
Motor Type	3756M
Mounting Arrangement	F1
Number of Poles	2
Overall Length	22.12 IN
Power Factor	90
Product Family	WD All SS Encapsulated
Pulley End Bearing Type	Sealed Bearing
Pulley Face Code	C-Face
Pulley Shaft Indicator	Standard
Rodent Screen	None
RoHS Status	ROHS COMPLIANT
Service Factor	1.15
Shaft Diameter	1.375 IN
Shaft Extension Location	Pulley End
Shaft Ground Indicator	No Shaft Grounding
Shaft Rotation	Reversible
Shaft Slinger Indicator	No Slinger
Speed	3500 rpm
Speed Code	Single Speed
Starting Method	Direct on line
Thermal Device - Bearing	None
Thermal Device - Winding	None

<b>Vibration Sensor Indicator</b>	<b>No Vibration Sensor</b>
<b>Winding Thermal 1</b>	<b>None</b>
<b>Winding Thermal 2</b>	<b>None</b>

Nameplate

NP4427AAA05											
CAT #	VFSWDM3713T-E				LBS						
SPEC	37Q227R515G1				ENCL	TEFC					
SER #					CC	010A	IP	69			
HP	15		MAG CUR	11/5.5							
VOLTS	230/460				NEMA NOM. EFF	91.7					
AMPS	34/17				PF	90					
RATING	40C AMB-CONT										
RPM	3500				MAX RPM	5400					
FRAME	215TC	HZ	60	CODE	L	CLASS	H				
SER.F.	1.15	SF AMP				PH	3	DES	A		
DE	6307		ODE	6307							
LUBRICATION	POLYREX EM										
ID LOGO	VPWM	CHP	60	TO	90	1.5:1					
ID LOGO	WK2	0.512	CT	15	TO	60	4:1				
ID LOGO	SL HZ	1.7	VT	6	TO	60	10:1				
								QR			
YR											

**AC Induction Motor Performance Data**

Record # 43026

Typical performance - not guaranteed values

<b>Winding: 37WGR515-R001</b>		<b>Type: 3756M</b>		<b>Enclosure: TEFC</b>	
<b>Nameplate Data</b>			<b>460 V, 60 Hz: High Voltage Connection</b>		
<b>Rated Output (HP)</b>	15		<b>Full Load Torque</b>	22.4 LB-FT	
<b>Volts</b>	230/460		<b>Start Configuration</b>	direct on line	
<b>Full Load Amps</b>	34/17		<b>Breakdown Torque</b>	129 LB-FT	
<b>R.P.M.</b>	3500		<b>Pull-up Torque</b>	62.1 LB-FT	
<b>Hz</b>	<b>60 Phase</b>	3	<b>Locked-rotor Torque</b>	81.4 LB-FT	
<b>NEMA Design Code</b>	<b>A KVA Code</b>	L	<b>Starting Current</b>	187 A	
<b>Service Factor (S.F.)</b>	1.15		<b>No-load Current</b>	5.43 A	
<b>NEMA Nom. Eff.</b>	<b>91.7 Power Factor</b>	90	<b>Line-line Res. @ 25°C</b>	0.42167 Ω	
<b>Rating - Duty</b>	40C AMB-CONT		<b>Temp. Rise @ Rated Load</b>	78°C	
<b>S.F. Amps</b>			<b>Temp. Rise @ S.F. Load</b>	96°C	
			<b>Locked-rotor Power Factor</b>	30	
			<b>Rotor inertia</b>	0.512 LB-FT <sup>2</sup>	

**Load Characteristics 460 V, 60 Hz, 15 HP**

<b>% of Rated Load</b>	<b>25</b>	<b>50</b>	<b>75</b>	<b>100</b>	<b>125</b>	<b>150</b>	<b>S.F.</b>
<b>Power Factor</b>	59	82	87	90	92	93	91
<b>Efficiency</b>	88.1	92	92.4	91.9	91.1	89.9	91.4
<b>Speed</b>	3575.6	3551.4	3525.1	3498.7	3469.7	3437.4	3481
<b>Line amperes</b>	6.71	9.36	13.1	16.9	20.8	25.3	19.2

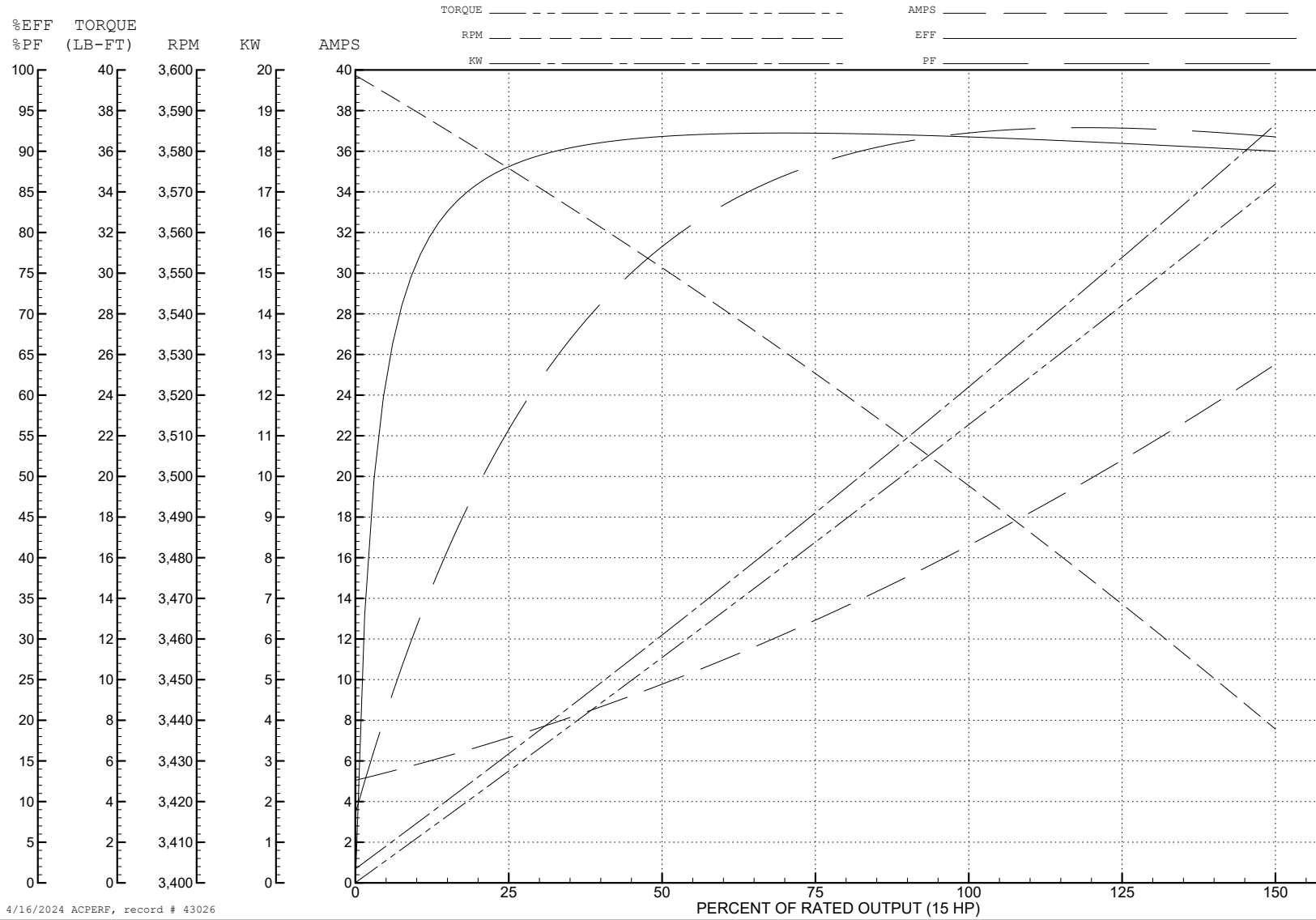
ABB Motors and Mechanical Inc.

WINDING # 37WGR515

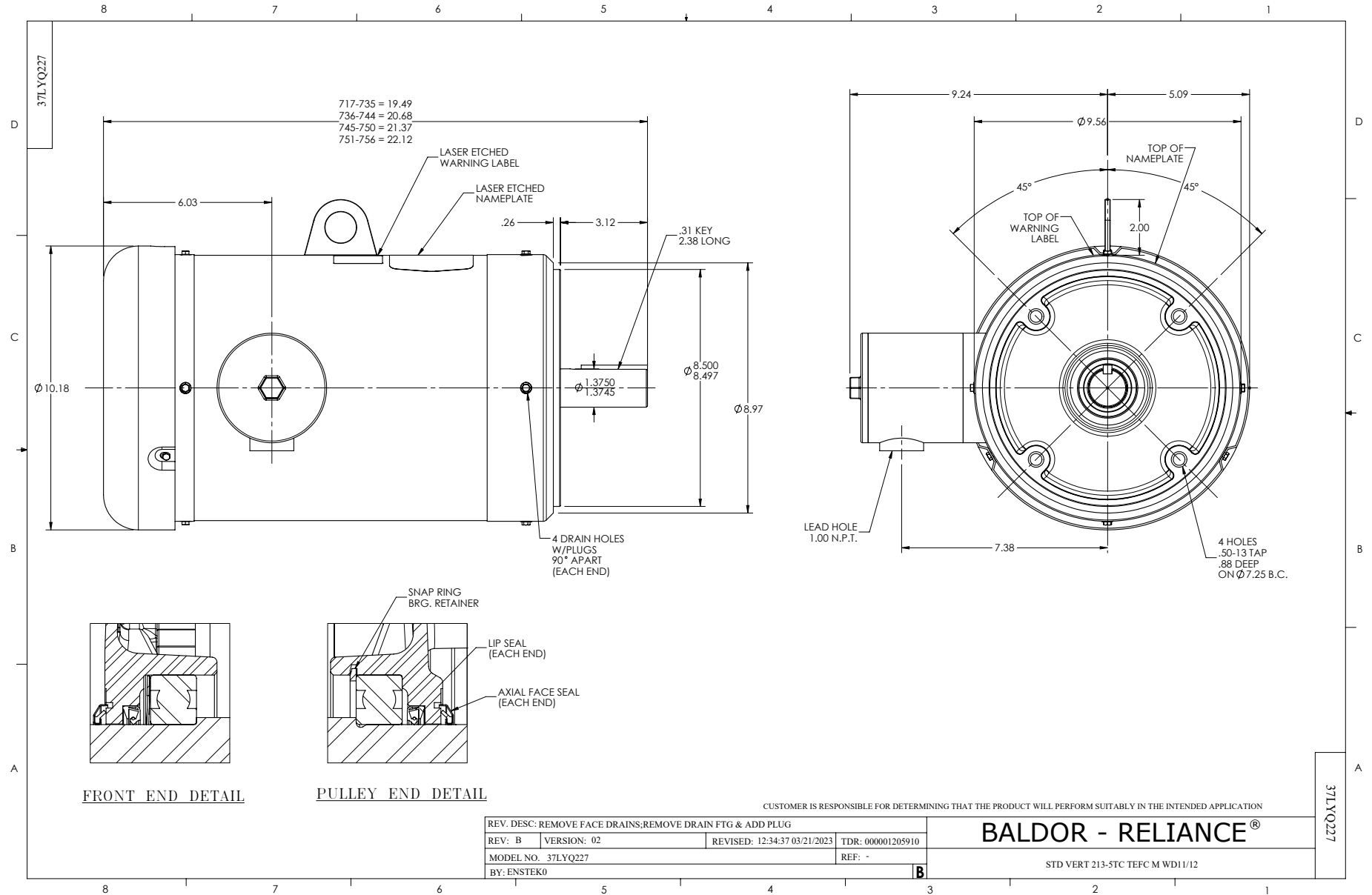
15 HP 3 PH 60 HZ 3500 RPM 460 V 3756M

Typical performance - not guaranteed values.

TORQUES (LB-FT): PO=129 PU=62.1 LR=81.4 LRA=187

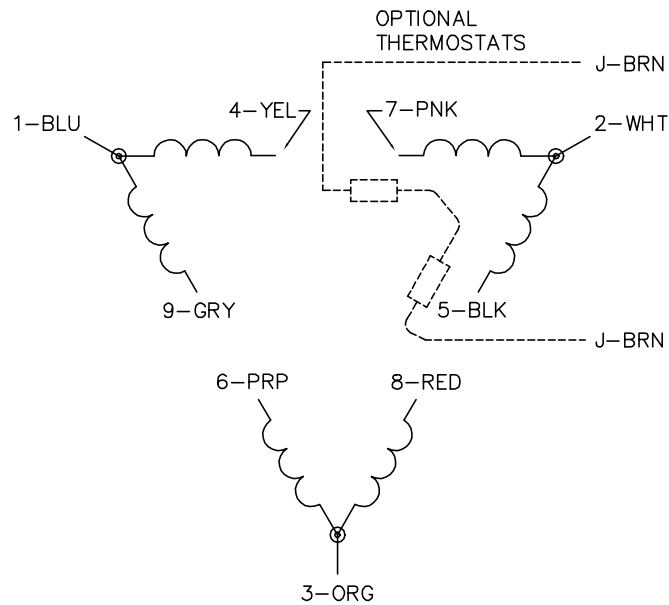


4/16/2024 ACPERF, record # 43026

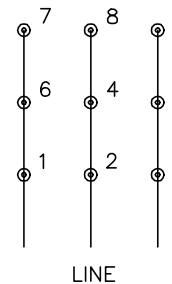




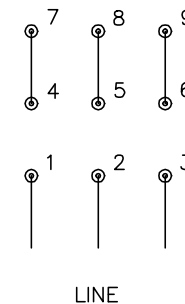
CD0180



LOW VOLTAGE  
(2D)



HIGH VOLTAGE  
(1D)



NOTES:

1. INTERCHANGE ANY TWO LINE LEADS TO REVERSE ROTATION.
2. OPTIONAL THERMOSTATS ARE PROVIDED WHEN SPECIFIED.
3. ACTUAL NUMBER OF INTERNAL PARALLEL CIRCUITS MAY BE A MULTIPLE OF THOSE SHOWN ABOVE.
4. LEAD COLORS ARE OPTIONAL. LEADS MUST ALWAYS BE NUMBERED AS SHOWN.

CD0180

REV. DESC: ADD CLASS CONN00000007		
REV. LTR: D	VERSION: 01	TDR: 000001099922
FILE: \AAA\00005\148	REVISED: 10: 25: 29 02/19/2019	BY: ENBRIRO
MTL: -	© □	

**BALDOR - RELIANCE®**

3PH, DV, 9 LEADS, DELTA CONNECTION

SH 1 of 1