



---

# Customer information packet

## VFSWDM3711T-E

10HP, 3500RPM, 3PH, 60HZ, 215TC, 3744M, TEFC, F

Class - None

Division - Not Applicable

## Specifications

Enclosure	TEFC
Frame	215TC
Frame Material	Stainless Steel
Frequency	60.00 Hz
Haz Area Class and Group	None
Haz Area Division	Not Applicable
Motor Letter Type	Three Phase
Output @ Frequency	10.000 HP @ 60 HZ
Phase	3
Synchronous Speed @ Frequency	3600 RPM @ 60 HZ
Voltage @ Frequency	230.0 V @ 60 HZ 460.0 V @ 60 HZ
Agency Approvals	CSA CSA EEV NEMA PREMIUM UR
Ambient Temperature	40 °C
Auxillary Box	No Auxillary Box
Auxillary Box Lead Termination	None
Base Indicator	No Mounting
Bearing Grease Type	Polyrex EM (-20F +300F)
Blower	None
Current @ Voltage	23.000 A @ 208.0 V 21.200 A @ 230.0 V 10.600 A @ 460.0 V
Design Code	A
Drip Cover	No Drip Cover
Duty Rating	CONT
Efficiency @ 100% Load	91.7 %
Electrically Isolated Bearing	Not Electrically Isolated
Feedback Device	NO FEEDBACK
Front Shaft Indicator	None

## Part detail

Revision	N
Type	AC
Mech. spec.	37Q227
Base	
Status	PRD/A
Elec. spec.	37WGS137
Layout	37LYQ227
Eff. date	09-22-2023
CD Diagram	CD0005
Poles	02
Leads	9#14
Proprietary	False
Created date	07-11-2017

Heater Indicator	No Heater
High Voltage Full Load Amps	10.6 a
Insulation Class	H
Inverter Code	Inverter Ready
KVA Code	L
Lifting Lugs	Standard Lifting Lugs
Locked Bearing Indicator	Locked Bearing
Motor Lead Quantity/Wire Size	9 @ 14 AWG
Motor Lead Termination	Flying Leads
Motor Standards	NEMA
Motor Type	3744M
Mounting Arrangement	F1
Number of Poles	2
Overall Length	20.68 IN
Power Factor	94
Product Family	WD All SS Encapsulated
Pulley End Bearing Type	Sealed Bearing
Pulley Face Code	C-Face
Pulley Shaft Indicator	Standard
Rodent Screen	None
RoHS Status	ROHS COMPLIANT
Service Factor	1.15
Shaft Diameter	1.375 IN
Shaft Ground Indicator	No Shaft Grounding
Shaft Rotation	Reversible
Shaft Slinger Indicator	No Slinger
Speed	3500 rpm
Speed Code	Single Speed
Starting Method	Direct on line
Thermal Device - Bearing	None
Thermal Device - Winding	None
Vibration Sensor Indicator	No Vibration Sensor
Winding Thermal 1	None
Winding Thermal 2	None

**Nameplate**

<b>NP4427AAA01</b>											
<b>CAT #</b>	VFSWDM3711T-E				<b>WT</b>	149	<b>LBS</b>				
<b>SPEC</b>	37Q227S137G1				<b>ENCL</b>	TEFC					
<b>SER #</b>					<b>CC</b>	010A	<b>IP</b>	69			
<b>HP</b>	10	<b>MAG CUR</b>		7/3.5							
<b>VOLTS</b>	230/460				<b>NEMA NOM. EFF</b>		91.7				
<b>AMPS</b>	21.2/10.6				<b>PF</b>	94					
<b>RATING</b>	40C AMB-CONT										
<b>RPM</b>	3500				<b>MAX RPM</b>		5400				
<b>FRAME</b>	215TC	<b>HZ</b>	60	<b>CODE</b>	L	<b>CLASS</b>	H				
<b>SER.F.</b>	1.15	<b>SF AMP</b>			<b>PH</b>	3	<b>DES</b>	A			
<b>DE</b>	6307		<b>ODE</b>	6307							
<b>LUBRICATION</b>	POLYREX EM										
<b>ID LOGO</b>	<b>INVERTER TYPE</b>		<b>VPWM</b>	<b>CHP</b>	60	<b>TO</b>	90	1.5:1			
<b>ID LOGO</b>	<b>WK2</b>	0.4	<b>CT</b>	15	<b>TO</b>	60	4:1				
<b>ID LOGO</b>	<b>SL HZ</b>	1.7	<b>VT</b>	6	<b>TO</b>	60	10:1				
											<b>QR</b>
<b>YR</b>											

**AC Induction Motor Performance Data**

Record # 57389

Typical performance - not guaranteed values

<b>Winding: 37WGS137-R011</b>		<b>Type: 3744M</b>		<b>Enclosure: TEFC</b>	
<b>Nameplate Data</b>			<b>460 V, 60 Hz: High Voltage Connection</b>		
<b>Rated Output (HP)</b>	10		<b>Full Load Torque</b>	15 LB-FT	
<b>Volts</b>	230/460		<b>Start Configuration</b>	direct on line	
<b>Full Load Amps</b>	21.2/10.6		<b>Breakdown Torque</b>	89.4 LB-FT	
<b>R.P.M.</b>	3500		<b>Pull-up Torque</b>	39 LB-FT	
<b>Hz</b>	<b>60 Phase</b>	3	<b>Locked-rotor Torque</b>	46.5 LB-FT	
<b>NEMA Design Code</b>	<b>A KVA Code</b>	L	<b>Starting Current</b>	124 A	
<b>Service Factor (S.F.)</b>	1.15		<b>No-load Current</b>	4.28 A	
<b>NEMA Nom. Eff.</b>	<b>91.7 Power Factor</b>	94	<b>Line-line Res. @ 25°C</b>	0.659 Ω	
<b>Rating - Duty</b>	40C AMB-CONT		<b>Temp. Rise @ Rated Load</b>	67°C	
<b>S.F. Amps</b>			<b>Temp. Rise @ S.F. Load</b>	82°C	
			<b>Locked-rotor Power Factor</b>	31.5	
			<b>Rotor inertia</b>	0.402 LB-FT <sup>2</sup>	

**Load Characteristics 460 V, 60 Hz, 10 HP**

<b>% of Rated Load</b>	<b>25</b>	<b>50</b>	<b>75</b>	<b>100</b>	<b>125</b>	<b>150</b>	<b>S.F.</b>
<b>Power Factor</b>	56	77	86	91	91	92	91
<b>Efficiency</b>	81.8	88.7	90.2	91	90.1	89.7	90.5
<b>Speed</b>	3579	3557	3535	3510	3486	3459	3496
<b>Line amperes</b>	4.99	6.82	8.93	11.3	14.2	17	13

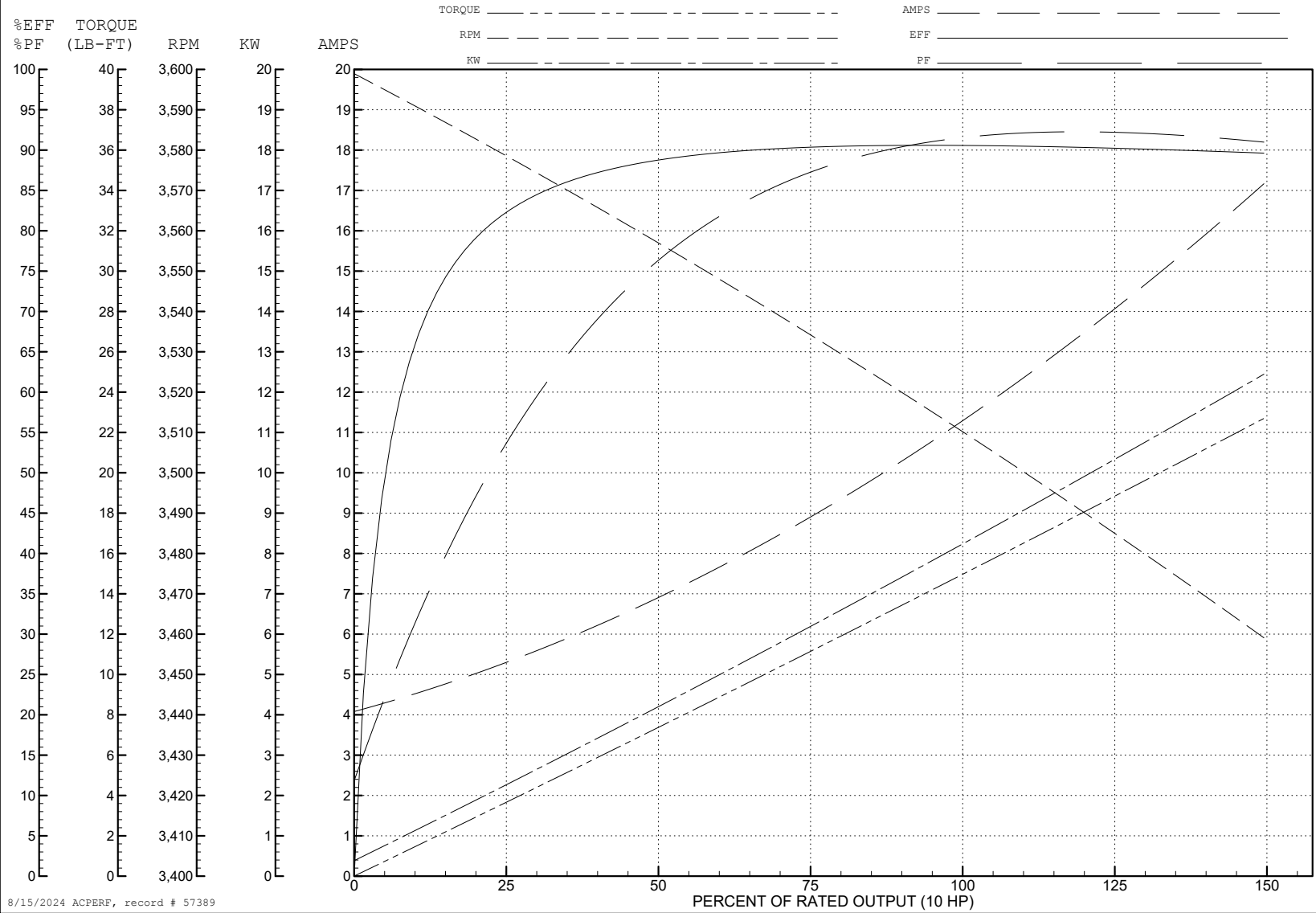
ABB Motors and Mechanical Inc.

WINDING # 37WGS137

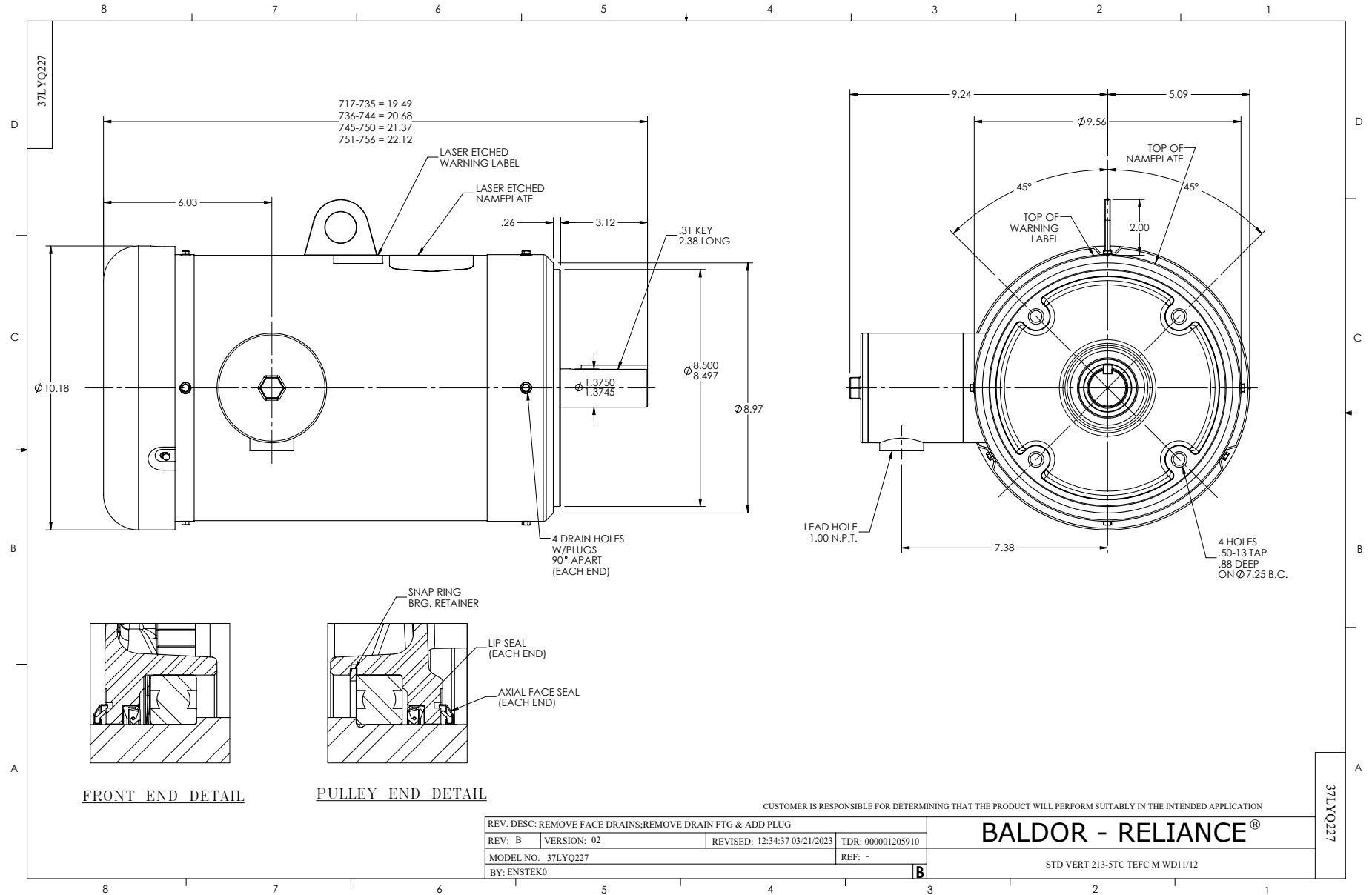
Typical performance - not guaranteed values.

10 HP 3 PH 60 HZ 3500 RPM 460 V 3744M

TORQUES (LB-FT): PO=89.4 PU=39 LR=46.5 LRA=124



8/15/2024 ACPERF, record # 57389



CD0005

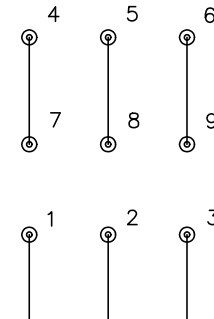


LOW VOLTAGE  
(2Y)



LINE

HIGH VOLTAGE  
(1Y)



LINE

NOTES:

1. INTERCHANGE ANY TWO LINE LEADS TO REVERSE ROTATION.
2. OPTIONAL THERMOSTATS ARE PROVIDED WHEN SPECIFIED.
3. ACTUAL NUMBER OF INTERNAL PARALLEL CIRCUITS MAY BE A MULTIPLE OF THOSE SHOWN ABOVE.
4. LEAD COLORS ARE OPTIONAL. LEADS MUST ALWAYS BE NUMBERED AS SHOWN.

CD0005

REV. DESC: REVISE TO SHOW OPTIONAL COLORS			
REV. LTR: E	BY: JLP	REVISED: 01/19/99 10:15	TDR: 0171435
S00000		FILE: AAA00005140	MDL: -
		MTL: -	

**BALDOR ELECTRIC Co.**

3PH, DV, 9 LEADS