

ABB BALDOR RELIANCE III

Customer information packet

VFSWDM3613T-4E

5HP, 3500RPM, 3PH, 60HZ, 182TC, 3634M, TEFC, F1

Class - None

Division - Not Applicable

Specifications

Enclosure	TEFC
Frame	182TC
Frame Material	Stainless Steel
Frequency	60.00 Hz
Haz Area Class and Group	None
Haz Area Division	Not Applicable
Motor Letter Type	Three Phase
Output @ Frequency	5.000 HP @ 60 HZ
Phase	3
Synchronous Speed @ Frequency	3600 RPM @ 60 HZ
Voltage @ Frequency	460.0 V @ 60 HZ
Agency Approvals	CURUSEEV NEMA PREMIUM WEEE
Ambient Temperature	40 °C
Auxiliary Box	NO AUXILLARY BOX
Auxiliary Box Lead Termination	None
Base Indicator	No Mounting
Bearing Grease Type	Polyrex EM (-20F +300F)
Blower	None
Current @ Voltage	5.600 A @ 460.0 V
Design Code	B
Drip Cover	No Drip Cover
Duty Rating	CONT
Efficiency @ 100% Load	89.5 %
Electrically Isolated Bearing	Not Electrically Isolated
Feedback Device	NO FEEDBACK
Front Shaft Indicator	None
Heater Indicator	No Heater
High Voltage Full Load Amps	5.6 a
Insulation Class	H
Inverter Code	Inverter Ready

Part Detail

Revision	A
Type	AC
Mech. spec.	36R533
Base	
Status	PRD/A
Elec. spec.	36WGZ636
Layout	36LYR533
Eff. date	09-13-2024
CD Diagram	CD0006
Poles	02
Leads	3#16
Proprietary	False
Created date	05-22-2024

KVA Code	L
Lifting Lugs	Standard Lifting Lugs
Locked Bearing Indicator	Locked Bearing
Max Speed	5400 rpm
Motor Lead Quantity/Wire Size	3 @ 16 AWG
Motor Lead Termination	Flying Leads
Motor Standards	NEMA
Motor Type	3634M
Mounting Arrangement	F1
Number of Poles	2
Overall Length	17.39 IN
Power Factor	95
Product Family	WD All SD Non-Encapsulated
Pulley End Bearing Type	Sealed Bearing
Pulley Face Code	C-Face
Pulley Shaft Indicator	Standard
Rodent Screen	None
RoHS Status	Y
Service Factor	1.15
Shaft Diameter	1.125 IN
Shaft Ground Indicator	No Shaft Grounding
Shaft Rotation	Reversible
Shaft Slinger Indicator	Shaft Slinger
Speed	3500 rpm
Speed Code	Single Speed
Starting Method	Direct on line
Thermal Device - Bearing	None
Thermal Device - Winding	None
Vibration Sensor Indicator	No Vibration Sensor
Winding Thermal 1	None
Winding Thermal 2	None

Nameplate

NP4427AAA02

CAT #	VFSWDM3613T-4E	WGT		LBS	
SPEC	36R533TZ636	ENCL	TEFC		
SER #		CC	010A	IP	69
HP	5	MAG CUR			
VOLTS	460	NEMA NOM. EFF		89.5	
AMPS	5.6	PF	95		
RATING	40C AMB-CONT				
RPM	3500	MAX RPM	5400		
FRAME	182TC	HZ	60	CODE	L
		CLASS		H	
SER.F.	1.15	SF AMP		PH	3
		DES		B	
DE	6206	ODE	6206		
LUBRICATION	POLYREX EM				
ID LOGO	INVERTER TYPE	VPWM	CHP	60	TO
				90	1.5:1
ID LOGO	WK2	0.15	CT	15	TO
				60	4:1
ID LOGO	SL HZ		VT	3	TO
				60	20:1
YR				QR	

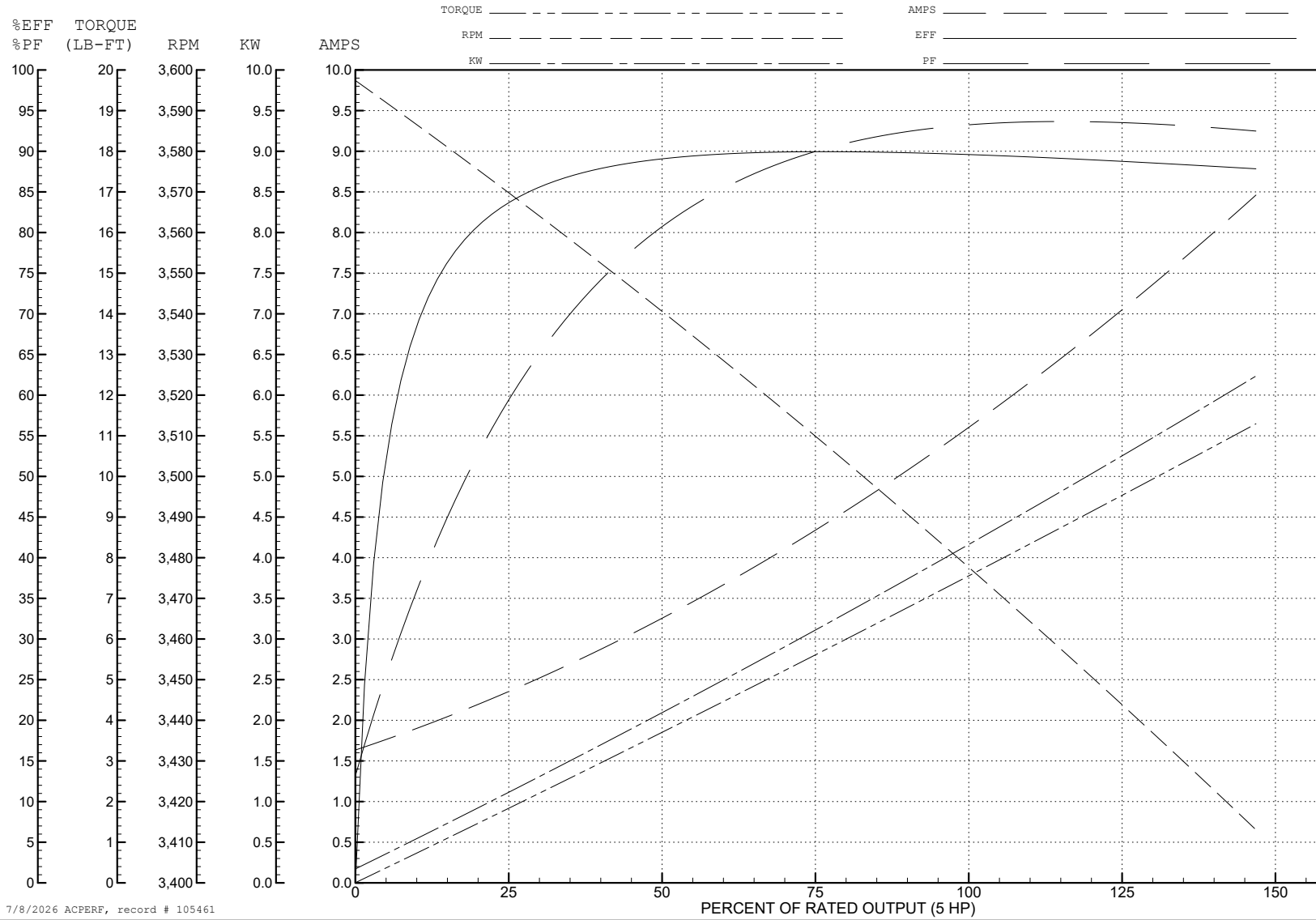
ABB Motors and Mechanical Inc.

WINDING # 36WGZ636

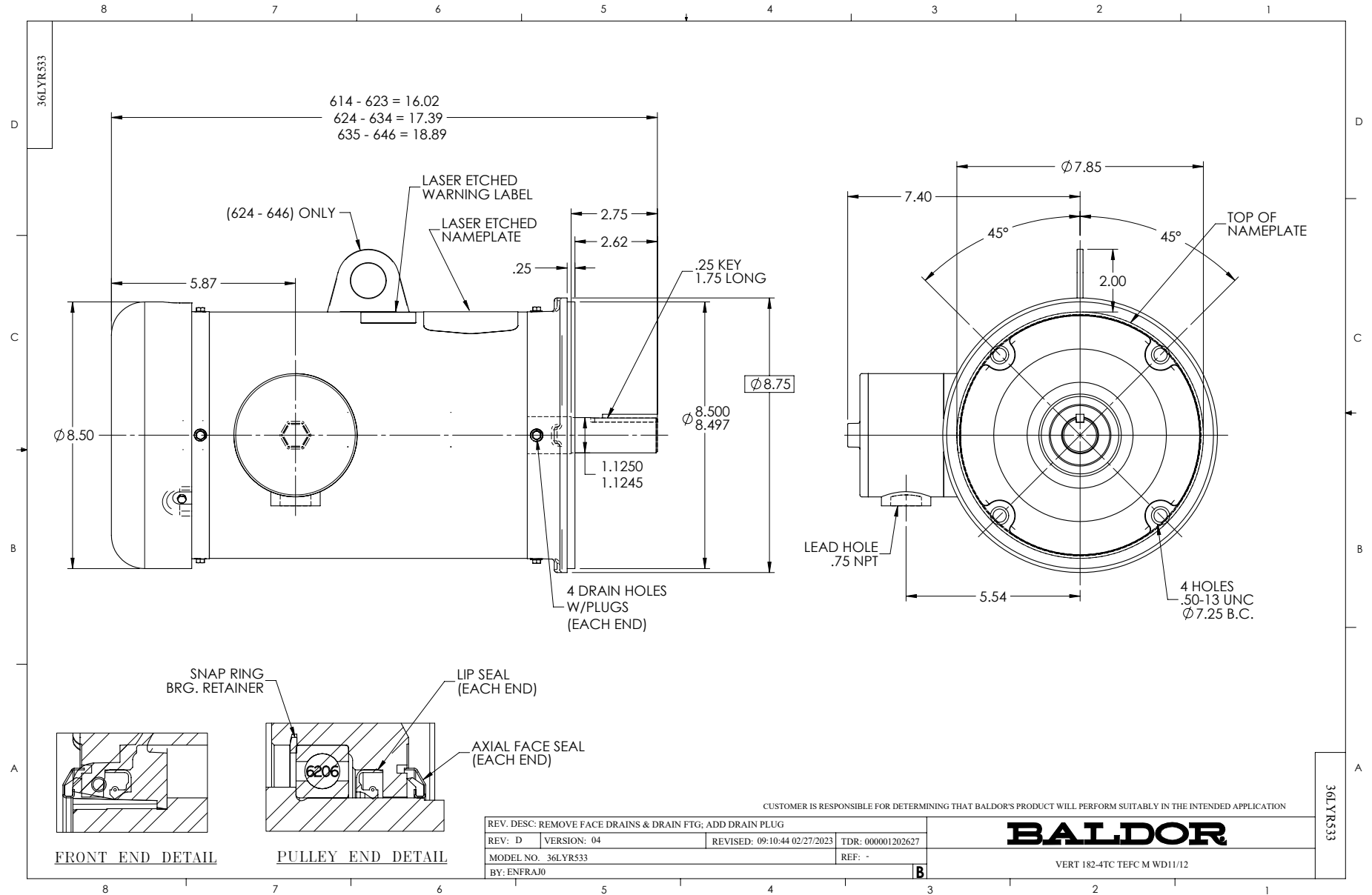
Typical performance - not guaranteed values.

5 HP 3 PH 60 HZ 3500 RPM 460 V 3634M

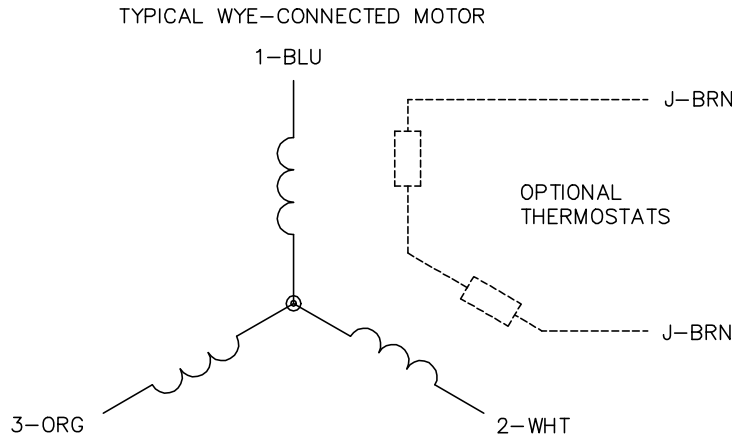
TORQUES (LB-FT): PO=39 PU=28 LR=31 LRA=62.5



7/8/2026 ACPERF, record # 105461



CD0006



NOTES:

1. THREE LEAD MOTOR MAY BE EITHER WYE CONNECTED OR DELTA CONNECTED.
2. INTERCHANGE ANY TWO LINE LEADS TO REVERSE ROTATION.
3. OPTIONAL THERMOSTATS ARE PROVIDED WHEN SPECIFIED.
4. ACTUAL NUMBER OF INTERNAL PARALLEL CIRCUITS MAY VARY.
5. LEAD COLORS ARE OPTIONAL. LEADS MUST BE NUMBERED AS SHOWN.

CD0006

REV. DESC: ADD CLASS CONN00000007		
REV. LTR: E	VERSION: 01	TDR: 000001099922
FILE: \AAA\00005\141	REVISED: 10:24:49 02/19/2019	BY: ENBRIRO
MTL: -	© □	

BALDOR - RELIANCE®

3PH, SV, 3 LEADS, WYE OR DELTA CONNECTED

SH 1 of 1