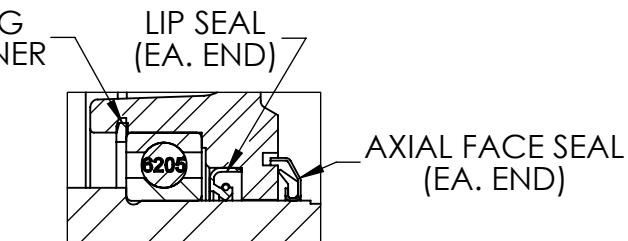
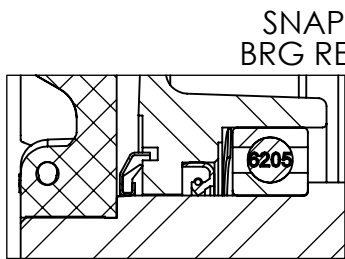
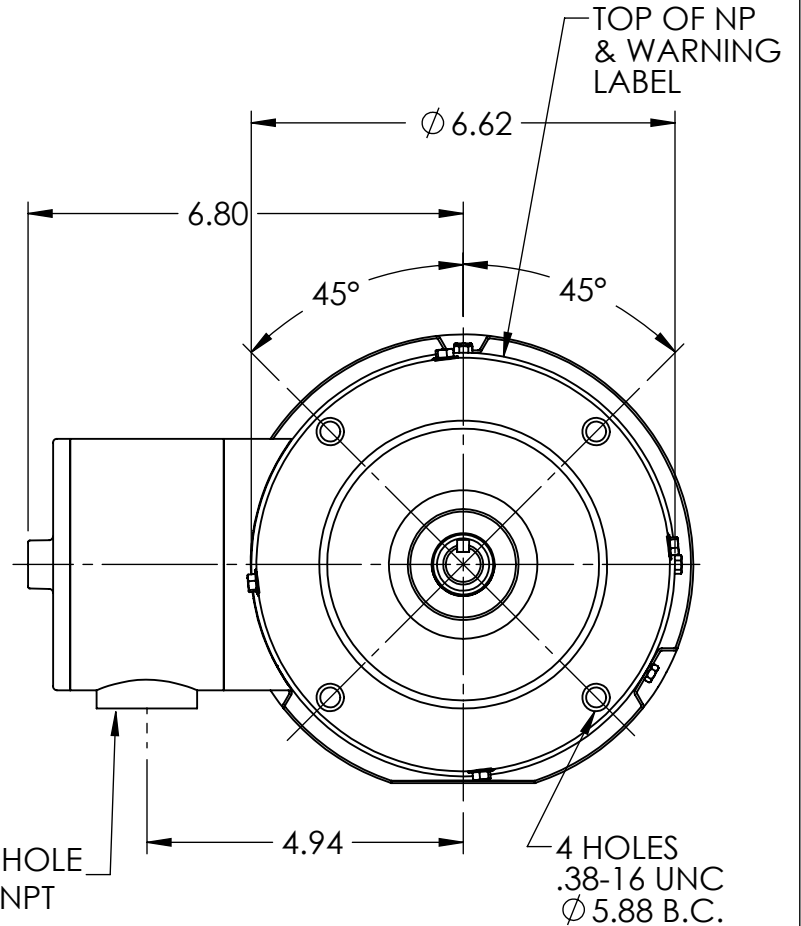
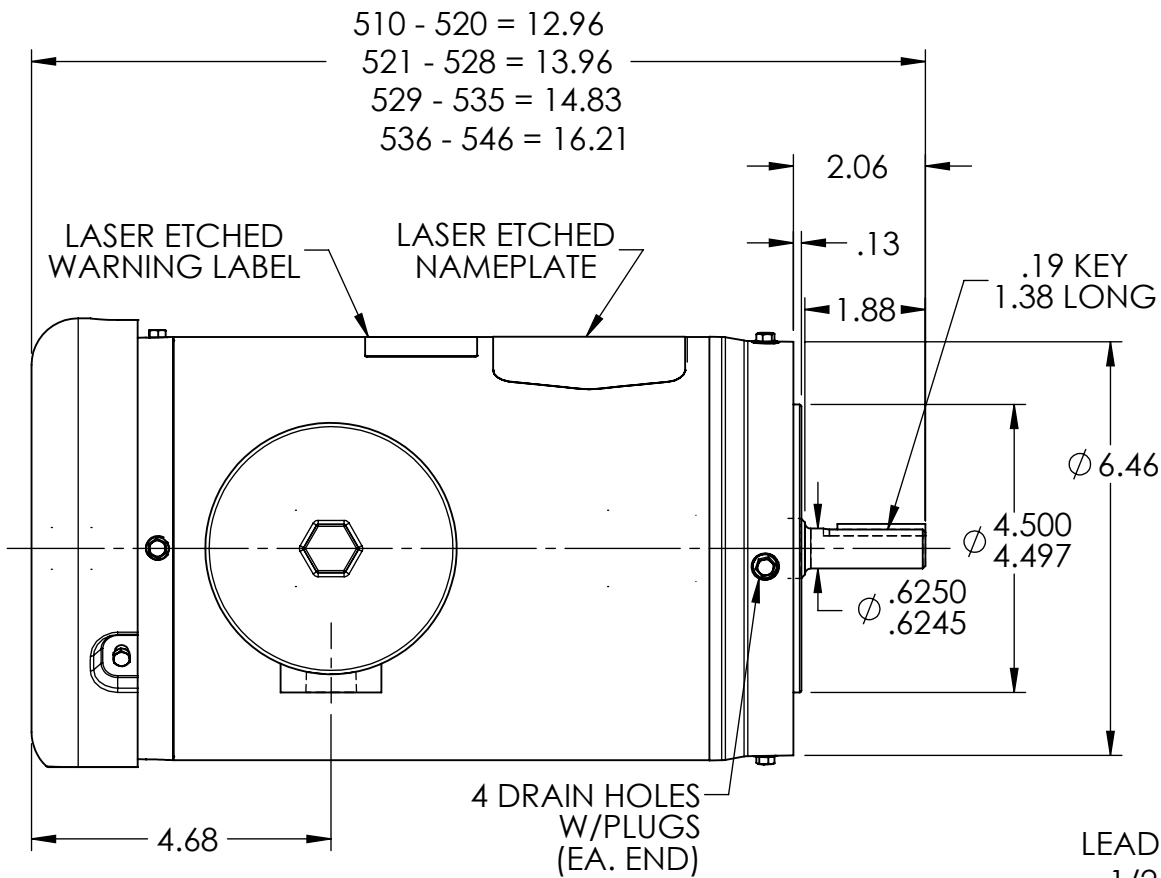


35LYE4649



**FRONT END DETAIL**

**PULLEY END DETAIL**

CUSTOMER IS RESPONSIBLE FOR DETERMINING THAT BALDOR'S PRODUCT WILL PERFORM SUITABLY IN THE INTENDED APPLICATION

REV. DESC: REMOVE FACE DRAINS & DRAIN FTG; ADD DRAIN PLUG			
REV: C	VERSION: 03	REVISED: 11:46:35 01/26/2023	TDR: 000001202627
35LYE4649		MODEL NO. 35LYE4649	REF: -
		BY: ENSTEK0	

**BALDOR**

STD VER 56C TEFC 35M WD11/12

35LYE4649