



Customer information packet

VFSWDM3558T-5E

2HP, 1765RPM, 3PH, 60HZ, 143TC, 3528M, TEFC, F1

Class - None

Division - Not Applicable

Specifications

Enclosure	TEFC
Frame	145TC
Frame Material	Stainless Steel
Frequency	60.00 Hz
Haz Area Class and Group	None
Haz Area Division	Not Applicable
Motor Letter Type	Three Phase
Output @ Frequency	2.000 HP @ 60 HZ
Phase	3
Synchronous Speed @ Frequency	1800 RPM @ 60 HZ
Voltage @ Frequency	575.0 V @ 60 HZ
Agency Approvals	CURUSEEV NEMA PREMIUM NEMA_PREMIUM WEEE CSA EEV
Ambient Temperature	40 °C
Auxiliary Box	NO AUXILLARY BOX
Auxiliary Box Lead Termination	None
Base Indicator	No Mounting
Bearing Grease Type	Polyrex EM (-20F +300F)
Blower	None
Current @ Voltage	2.150 A @ 575.0 V
Design Code	B
Drip Cover	No Drip Cover
Duty Rating	CONT
Efficiency @ 100% Load	86.5 %
Electrically Isolated Bearing	Not Electrically Isolated
Feedback Device	NO FEEDBACK
Front Shaft Indicator	None
Heater Indicator	No Heater
High Voltage Full Load Amps	2.2 a

Part detail

Revision	D
Type	AC
Mech. spec.	35E4709
Base	
Status	PRD/A
Elec. spec.	35WGZ823
Layout	35LYE4709
Eff. date	08-14-2023
CD Diagram	CD0006
Poles	04
Leads	3#18
Proprietary	False
Created date	03-11-2022

Insulation Class	H
Inverter Code	Not Inverter
KVA Code	L
Lifting Lugs	No Lifting Lugs
Locked Bearing Indicator	Locked Bearing
Max Speed	2700 rpm
Motor Finish	UNPAINTED
Motor Lead Quantity/Wire Size	3 @ 18 AWG
Motor Lead Termination	Flying Leads
Motor Standards	NEMA
Motor Type	3528M
Mounting Arrangement	F1
Number of Poles	4
Overall Length	14.03 IN
Power Factor	81
Product Family	WD All SD Non-Encapsulated
Pulley End Bearing Type	Sealed Bearing
Pulley Face Code	C-Face
Pulley Shaft Indicator	Standard
Rodent Screen	None
RoHS Status	ROHS COMPLIANT
Service Factor	1.15
Shaft Diameter	0.875 IN
Shaft Ground Indicator	No Shaft Grounding
Shaft Rotation	Reversible
Shaft Slinger Indicator	No Slinger
Speed	1765 rpm
Speed Code	Single Speed
Starting Method	Direct on line
Thermal Device - Bearing	None
Thermal Device - Winding	None
Vibration Sensor Indicator	No Vibration Sensor
Winding Thermal 1	None
Winding Thermal 2	None

AC Induction Motor Performance Data

Record # 88444

Preliminary Data Sheet

Winding: 35WGZ823-R001		Type: 3528M		Enclosure: TEFC	
Nameplate Data			575 V, 60 Hz: Single Voltage Motor		
Rated Output (HP)	2	Full Load Torque	5.95 LB-FT		
Volts	575	Start Configuration	direct on line		
Full Load Amps	2.15	Breakdown Torque	22.1 LB-FT		
R.P.M.	1765	Pull-up Torque	13.1 LB-FT		
Hz	60	Phase	3	Locked-rotor Torque	15.85 LB-FT
NEMA Design Code	B	KVA Code	K	Starting Current	18.31 A
Service Factor (S.F.)	1.15	No-load Current	1.15 A		
NEMA Nom. Eff.	86.5	Power Factor	81	Line-line Res. @ 25°C	15.5 Ω
Rating - Duty	40C AMB-CONT		Temp. Rise @ Rated Load	81°C	
S.F. Amps	2.45	Temp. Rise @ S.F. Load	98°C		
		Locked-rotor Power Factor	57		
		Rotor inertia	0.202 lb-ft ²		

Load Characteristics 575 V, 60 Hz, 2 HP

% of Rated Load	25	50	75	100	125	150	S.F.
Power Factor	39	60	73	80	84	86	82
Efficiency	80.1	86.2	87.3	86.9	85.6	83.9	86.1
Speed	1791	1783	1773	1765	1755	1742	1759
Line amperes	1.23	1.45	1.76	2.15	2.62	3.1	2.43

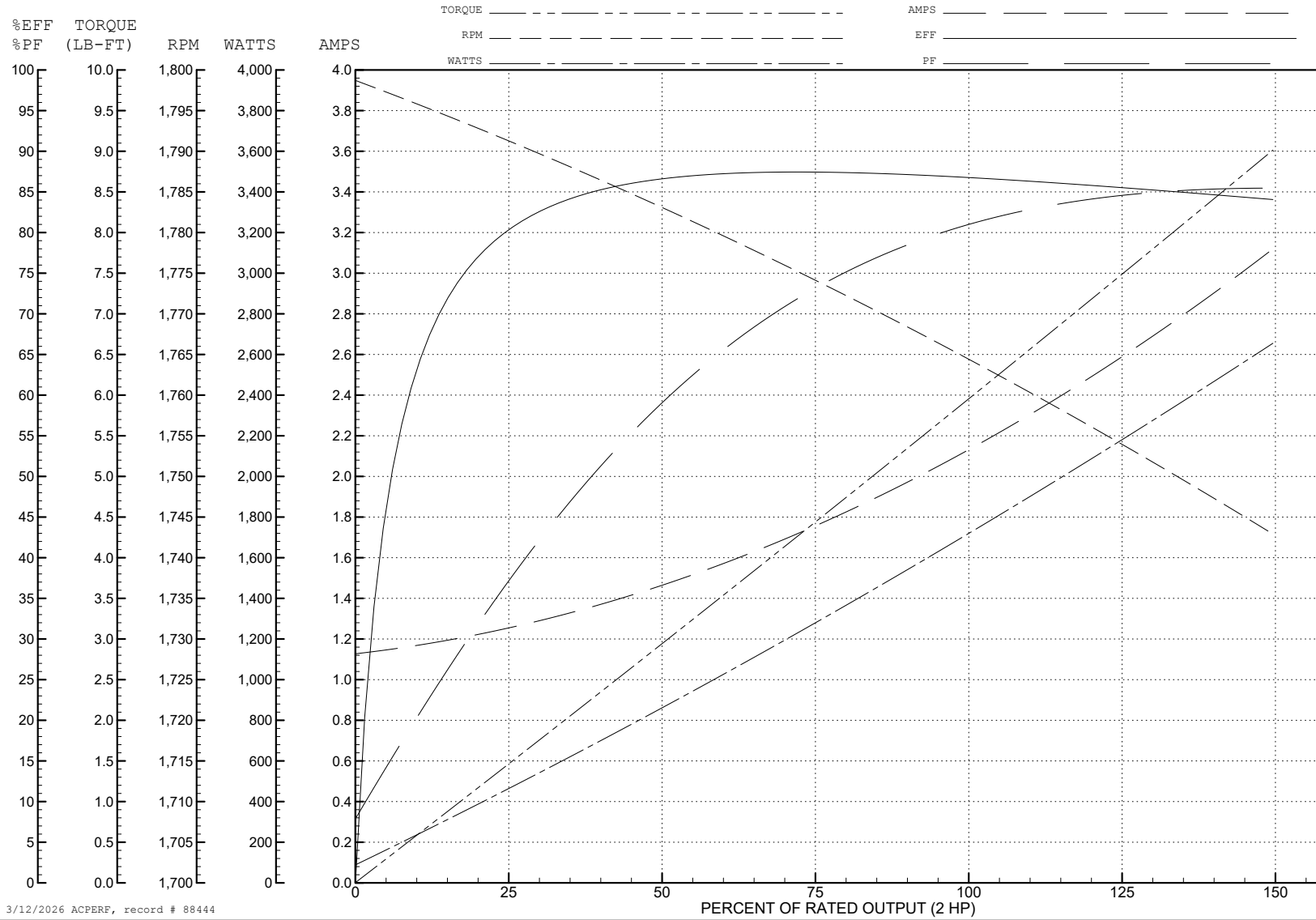
ABB Motors and Mechanical Inc.

WINDING # 35WGZ823

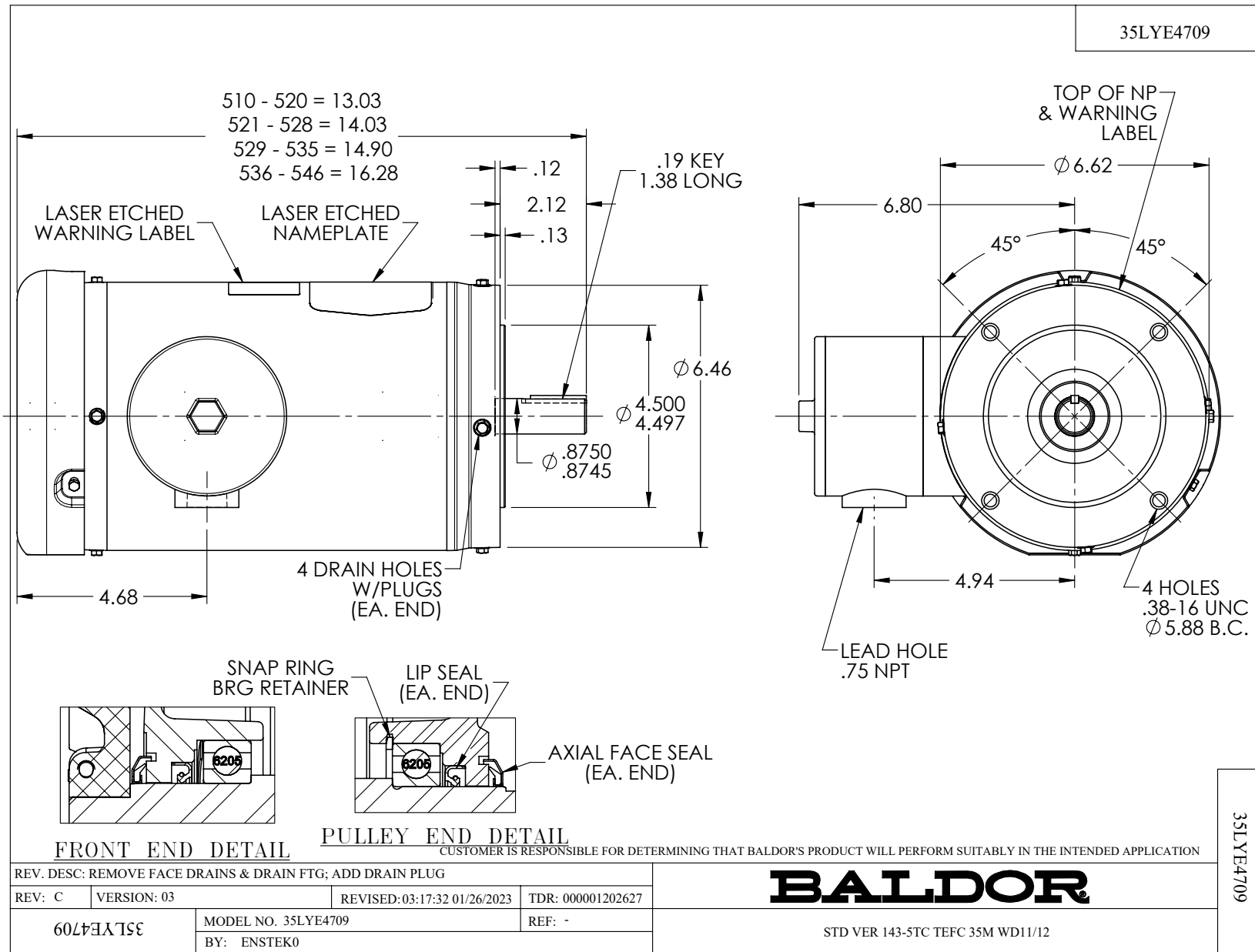
Typical performance - not guaranteed values.

2 HP 3 PH 60 HZ 1765 RPM 575 V 3528M

TORQUES (LB-FT): PO=22.1 PU=13.1 LR=15.85 LRA=18.31



3/12/2026 ACPERF, record # 88444



CD0006



NOTES:

1. THREE LEAD MOTOR MAY BE EITHER WYE CONNECTED OR DELTA CONNECTED.
2. INTERCHANGE ANY TWO LINE LEADS TO REVERSE ROTATION.
3. OPTIONAL THERMOSTATS ARE PROVIDED WHEN SPECIFIED.
4. ACTUAL NUMBER OF INTERNAL PARALLEL CIRCUITS MAY VARY.
5. LEAD COLORS ARE OPTIONAL. LEADS MUST BE NUMBERED AS SHOWN.

CD0006

REV. DESC: ADD CLASS CONN00000007		
REV. LTR: E	VERSION: 01	TDR: 000001099922
FILE: \AAA\00005\141	REVISED: 10:24:49 02/19/2019	BY: ENBRIRO
MTL: -	© □	

BALDOR - RELIANCE®

3PH, SV, 3 LEADS, WYE OR DELTA CONNECTED

SH 1 of 1