

# ABB BALDOR RELIANCE III

---

## Customer information packet

VFSWDM3550-4E

1.5HP, 3500RPM, 3PH, 60HZ, 56C, 3532M, TENV, F1

Class - None

Division - Not Applicable

**Specifications**

<b>Enclosure</b>	TENV
<b>Frame</b>	56C
<b>Frame Material</b>	Stainless Steel
<b>Frequency</b>	60.00 Hz
<b>Haz Area Class and Group</b>	None
<b>Haz Area Division</b>	Not Applicable
<b>Motor Letter Type</b>	Three Phase
<b>Output @ Frequency</b>	1.500 HP @ 60 HZ
<b>Phase</b>	3
<b>Synchronous Speed @ Frequency</b>	3600 RPM @ 60 HZ
<b>Voltage @ Frequency</b>	460.0 V @ 60 HZ
<b>Agency Approvals</b>	WEEE CURUSEEV NEMA PREMIUM
<b>Ambient Temperature</b>	40 °C
<b>Auxiliary Box</b>	NO AUXILLARY BOX
<b>Auxiliary Box Lead Termination</b>	None
<b>Base Indicator</b>	No Mounting
<b>Bearing Grease Type</b>	Polyrex EM (-20F +300F)
<b>Blower</b>	None
<b>Current @ Voltage</b>	1.800 A @ 460.0 V
<b>Design Code</b>	B
<b>Drip Cover</b>	No Drip Cover
<b>Duty Rating</b>	CONT
<b>Efficiency @ 100% Load</b>	85.5 %
<b>Electrically Isolated Bearing</b>	Not Electrically Isolated
<b>Feedback Device</b>	NO FEEDBACK
<b>Front Shaft Indicator</b>	None
<b>Heater Indicator</b>	No Heater
<b>High Voltage Full Load Amps</b>	1.8 a
<b>Insulation Class</b>	H
<b>Inverter Code</b>	Inverter Duty

**Part Detail**

<b>Revision</b>	A
<b>Type</b>	AC
<b>Mech. spec.</b>	35E4656
<b>Base</b>	
<b>Status</b>	PRD/A
<b>Elec. spec.</b>	35WGK979
<b>Layout</b>	35LYE4656
<b>Eff. date</b>	09-13-2024
<b>CD Diagram</b>	CD0006
<b>Poles</b>	02
<b>Leads</b>	3#18 15"lead length,0#0 dbl dip & bake,0#0 phase insulatY
<b>Proprietary</b>	False
<b>Created date</b>	05-22-2024

<b>KVA Code</b>	M
<b>Lifting Lugs</b>	No Lifting Lugs
<b>Locked Bearing Indicator</b>	Locked Bearing
<b>Max Speed</b>	5400 rpm
<b>Motor Finish</b>	UNPAINTED
<b>Motor Lead Quantity/Wire Size</b>	@ 0 AWG 3 @ 18 AWG
<b>Motor Lead Termination</b>	Flying Leads
<b>Motor Standards</b>	NEMA
<b>Motor Type</b>	3532M
<b>Mounting Arrangement</b>	F1
<b>Number of Poles</b>	2
<b>Overall Length</b>	13.67 IN
<b>Power Factor</b>	90
<b>Product Family</b>	WD All SD Non-Encapsulated
<b>Pulley End Bearing Type</b>	Sealed Bearing
<b>Pulley Face Code</b>	C-Face
<b>Pulley Shaft Indicator</b>	Standard
<b>Rodent Screen</b>	None
<b>RoHS Status</b>	Y
<b>Service Factor</b>	1.15
<b>Shaft Diameter</b>	0.625 IN
<b>Shaft Ground Indicator</b>	No Shaft Grounding
<b>Shaft Rotation</b>	Reversible
<b>Shaft Slinger Indicator</b>	No Slinger
<b>Speed</b>	3500 rpm
<b>Speed Code</b>	Single Speed
<b>Starting Method</b>	Direct on line
<b>Thermal Device - Bearing</b>	None
<b>Thermal Device - Winding</b>	None
<b>Vibration Sensor Indicator</b>	No Vibration Sensor
<b>Winding Thermal 1</b>	None
<b>Winding Thermal 2</b>	None

**Nameplate**

**NP4427AAA02**

<b>CAT #</b>	VFSWDM3550-4E	<b>WGT</b>		<b>LBS</b>	
<b>SPEC</b>	35E4656K979	<b>ENCL</b>	TENV		
<b>SER #</b>		<b>CC</b>	010A	<b>IP</b>	69
<b>HP</b>	1.5	<b>MAG CUR</b>	.65		
<b>VOLTS</b>	460	<b>NEMA NOM. EFF</b>		85.5	
<b>AMPS</b>	1.8	<b>PF</b>	90		
<b>RATING</b>	40C AMB-CONT				
<b>RPM</b>	3500	<b>MAX RPM</b>	5400		
<b>FRAME</b>	56C	<b>HZ</b>	60	<b>CODE</b>	M
		<b>CLASS</b>		H	
<b>SER.F.</b>	1.15	<b>SF AMP</b>		<b>PH</b>	3
		<b>DES</b>		B	
<b>DE</b>	6205	<b>ODE</b>	6205		
<b>LUBRICATION</b>	POLYREX EM				
<b>ID LOGO</b>	<b>INVERTER TYPE</b>	<b>VPWM</b>	<b>CHP</b>	60	<b>TO</b>
				90	1.5:1
<b>ID LOGO</b>	<b>WK2</b>	0.09	<b>CT</b>	15	<b>TO</b>
				60	4:1
<b>ID LOGO</b>	<b>SL HZ</b>	1.7	<b>VT</b>	3	<b>TO</b>
				60	20:1
<b>YR</b>				<b>QR</b>	

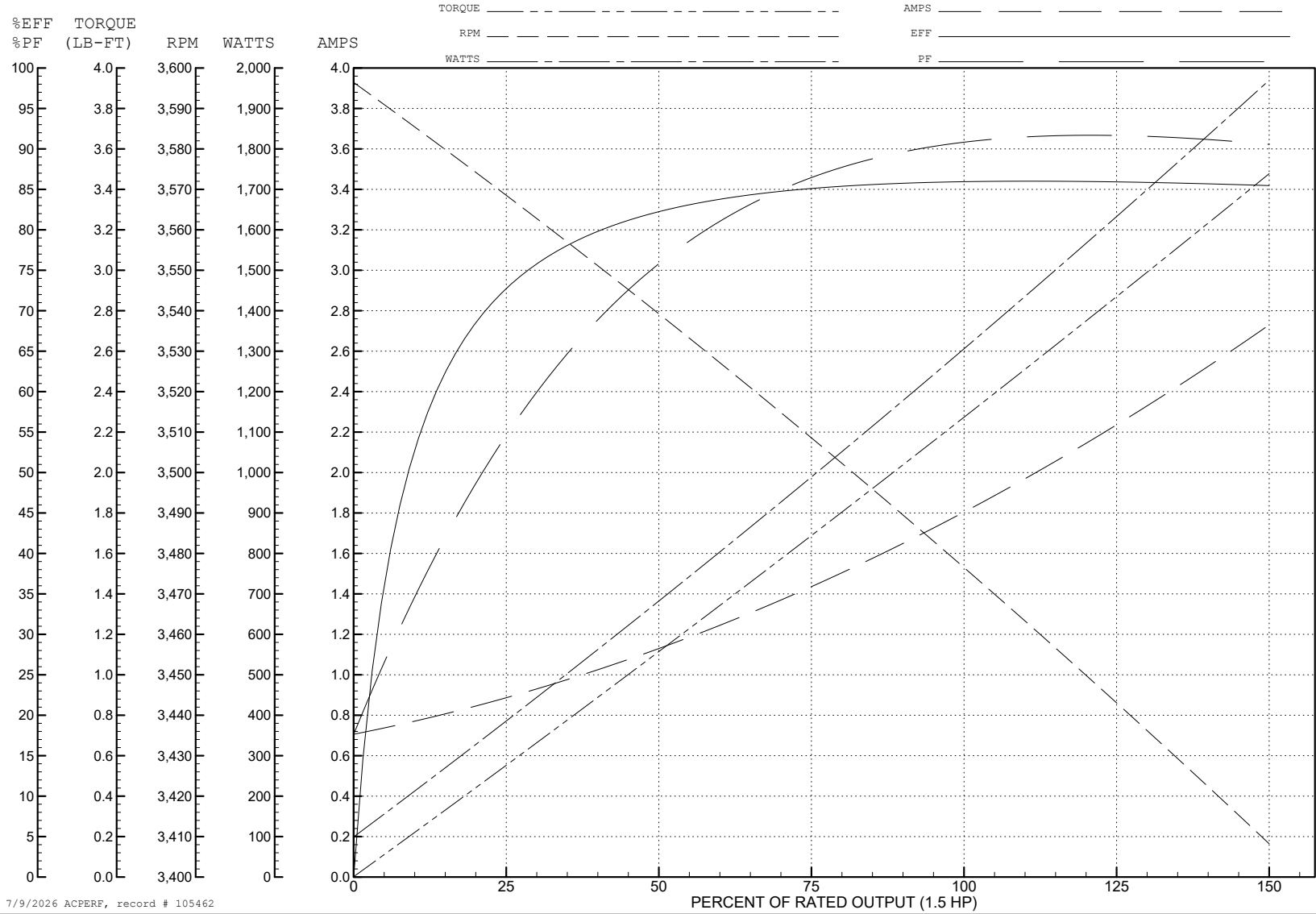
ABB Motors and Mechanical Inc.

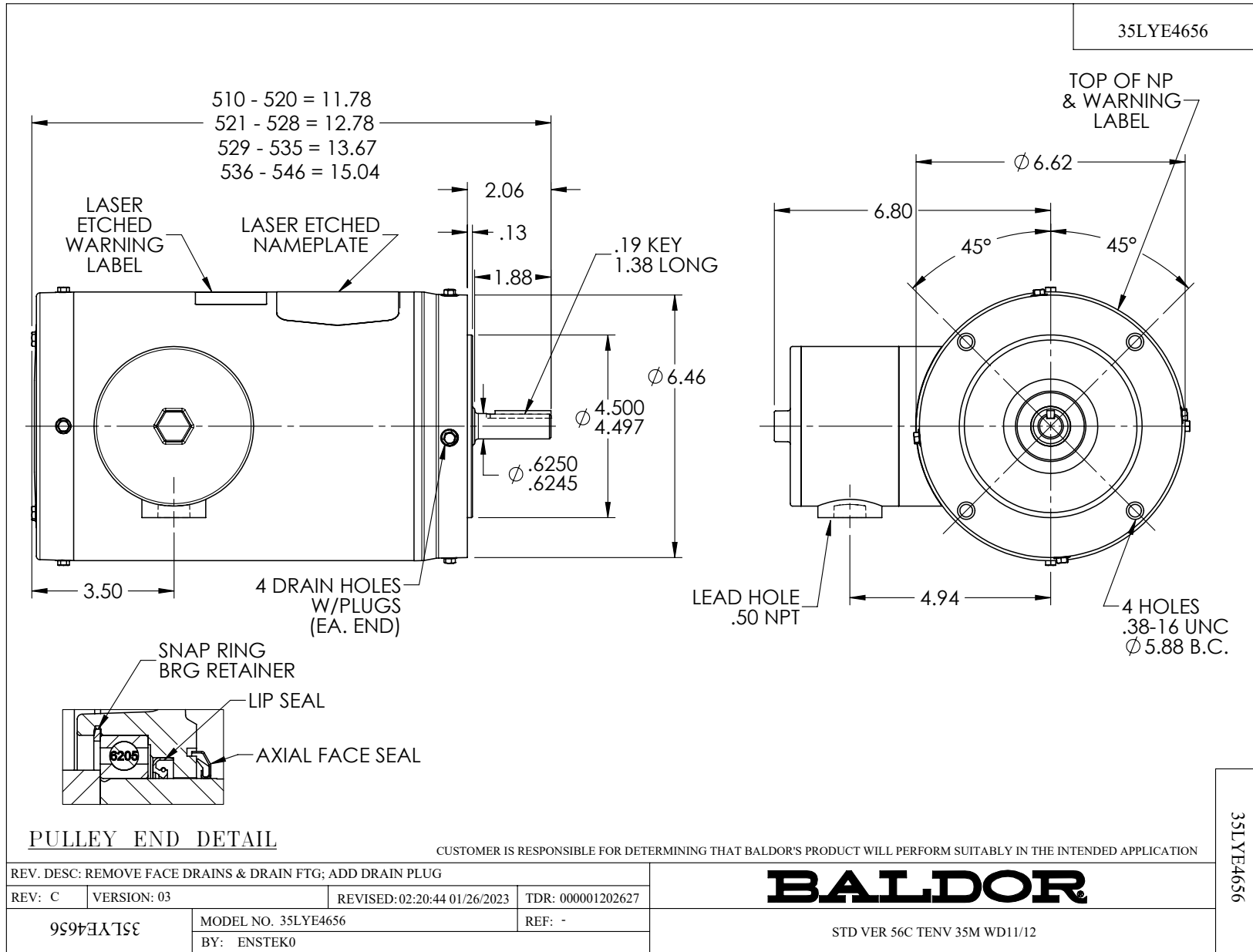
WINDING # 35WGK979

1.5 HP 3 PH 60 HZ 3500 RPM 460 V 3532M

Typical performance - not guaranteed values.

TORQUES (LB-FT): PO=10.9 PU=5.2 LR=10.2 LRA=20.6





CD0006



NOTES:

1. THREE LEAD MOTOR MAY BE EITHER WYE CONNECTED OR DELTA CONNECTED.
2. INTERCHANGE ANY TWO LINE LEADS TO REVERSE ROTATION.
3. OPTIONAL THERMOSTATS ARE PROVIDED WHEN SPECIFIED.
4. ACTUAL NUMBER OF INTERNAL PARALLEL CIRCUITS MAY VARY.
5. LEAD COLORS ARE OPTIONAL. LEADS MUST BE NUMBERED AS SHOWN.

CD0006

REV. DESC: ADD CLASS CONN00000007		
REV. LTR: E	VERSION: 01	TDR: 000001099922
FILE: \AAA\00005\141	REVISED: 10:24:49 02/19/2019	BY: ENBRIRO
MTL: -	© □	

**BALDOR - RELIANCE®**

3PH, SV, 3 LEADS, WYE OR DELTA CONNECTED

SH 1 of 1