



Customer information packet

VFSWDM3546T-5E

1HP, 1770RPM, 3PH, 60HZ, 143TC, 3522M, TENV, F1

Class - None

Division - Not Applicable

Specifications

Enclosure	TENV
Frame	143TC
Frame Material	Stainless Steel
Frequency	60.00 Hz
Motor Letter Type	Three Phase
Output @ Frequency	1.000 HP @ 60 HZ
Phase	3
Synchronous Speed @ Frequency	1800 RPM @ 60 HZ
Voltage @ Frequency	575.0 V @ 60 HZ
XP Class and Group	None
XP Division	Not Applicable
Agency Approvals	CSA EEV NEMA PREMIUM NEMA_PREMIUM UR
Ambient Temperature	40 °C
Auxillary Box	No Auxillary Box
Auxillary Box Lead Termination	None
Base Indicator	No Mounting
Bearing Grease Type	Polyrex EM (-20F +300F)
Blower	None
Current @ Voltage	1.300 A @ 575.0 V
Design Code	B
Drip Cover	No Drip Cover
Duty Rating	CONT
Efficiency @ 100% Load	85.5 %
Electrically Isolated Bearing	Not Electrically Isolated
Feedback Device	NO FEEDBACK
Front Shaft Indicator	None
Heater Indicator	No Heater
High Voltage Full Load Amps	1.3 a
Insulation Class	H

Part detail

Revision	C
Type	AC
Mech. spec.	35E4717
Base	
Status	PRD/A
Elec. spec.	35WGG198
Layout	35LYE4717
Eff. date	08-14-2023
CD Diagram	CD0006
Poles	04
Leads	3#18
Proprietary	False
Created date	03-11-2022

Inverter Code	Inverter Ready
KVA Code	N
Lifting Lugs	No Lifting Lugs
Locked Bearing Indicator	Locked Bearing
Motor Finish	UNPAINTED
Motor Lead Quantity/Wire Size	3 @ 18 AWG
Motor Lead Termination	Flying Leads
Motor Standards	NEMA
Motor Type	3522M
Mounting Arrangement	F1
Number of Poles	4
Overall Length	12.84 IN
Power Factor	67
Product Family	WD All SS Encapsulated
Pulley End Bearing Type	Sealed Bearing
Pulley Face Code	C-Face
Pulley Shaft Indicator	Standard
Rodent Screen	None
Service Factor	1.15
Shaft Diameter	0.875 IN
Shaft Ground Indicator	No Shaft Grounding
Shaft Rotation	Reversible
Shaft Slinger Indicator	No Slinger
Speed	1770 rpm
Speed Code	Single Speed
Starting Method	Direct on line
Thermal Device - Bearing	None
Thermal Device - Winding	None
Vibration Sensor Indicator	No Vibration Sensor
Winding Thermal 1	None
Winding Thermal 2	None

Nameplate

NP4427AAA02

CAT #	VFSWDM3546T-5E	LBS	
SPEC	35E4717G198G1	ENCL	TENV
SER #		CC	010A IP 69
HP	1	MAG CUR	.87
VOLTS	575	NEMA NOM. EFF	85.5
AMPS	1.3	PF	70
RATING	40C AMB-CONT		
RPM	1775	MAX RPM	2700
FRAME	143TC	HZ	60
SER.F.	1.15	SF AMP	1.4
DE	6205	ODE	6205
LUBRICATION	POLYREX EM		
ID LOGO	INVERTER TYPE	VPWM	CHP 60 TO 90 1.5:1
ID LOGO	WK2 0.159 CT 15	TO 60	4:1
ID LOGO	SL HZ 0.9 VT 3	TO 60	20:1
YR		QR	

AC Induction Motor Performance Data

Record # 87480

Typical performance - not guaranteed values

Winding: 35WGG198-R003		Type: 3522M		Enclosure: TEFC	
Nameplate Data			575 V, 60 Hz: Single Voltage Motor		
Rated Output (HP)	1	Full Load Torque	2.99 LB-FT		
Volts	575	Start Configuration	direct on line		
Full Load Amps	1.3	Breakdown Torque	16.37 LB-FT		
R.P.M.	1770	Pull-up Torque	7.31 LB-FT		
Hz	60	Locked-rotor Torque	10.16 LB-FT		
NEMA Design Code	B	Starting Current	12.72 A		
Service Factor (S.F.)	1.15	No-load Current	0.972 A		
NEMA Nom. Eff.	85.5	Line-line Res. @ 25°C	22.9 Ω		
Rating - Duty	40C	Temp. Rise @ Rated Load	63°C		
S.F. Amps	1.4	Temp. Rise @ S.F. Load	71°C		
		Locked-rotor Power Factor	59.6		
		Rotor inertia	0.159 lb-ft ²		

Load Characteristics 575 V, 60 Hz, 1 HP

% of Rated Load	25	50	75	100	125	150	S.F.
Power Factor	28	44	56	67	73	78	71
Efficiency	71.2	81.2	84.4	86	85.7	85.1	85.8
Speed	1793	1786	1781	1773	1766	1757	1769
Line amperes	0.988	1.06	1.18	1.32	1.49	1.69	1.42

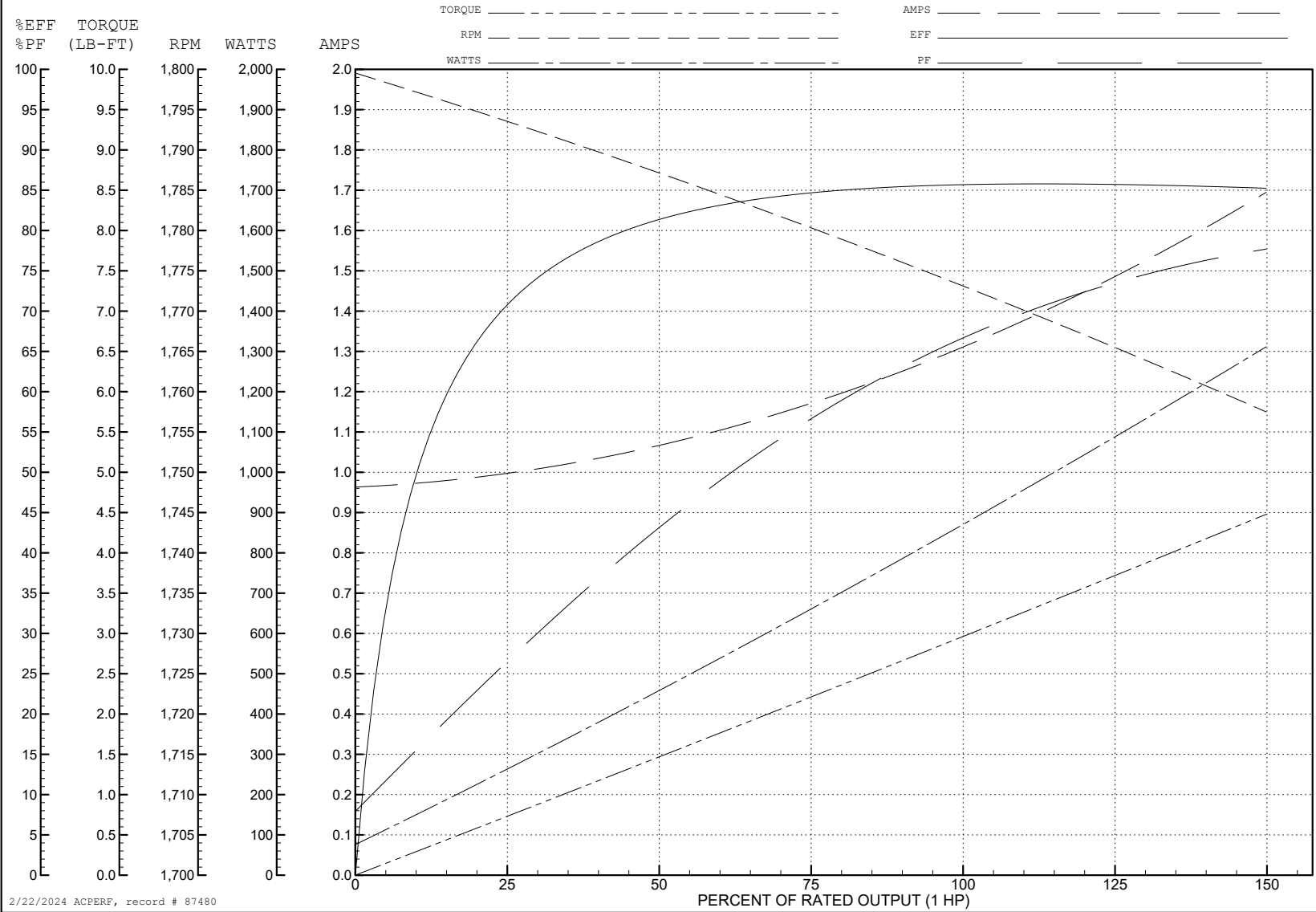
ABB Motors and Mechanical Inc.

WINDING # 35WGG198

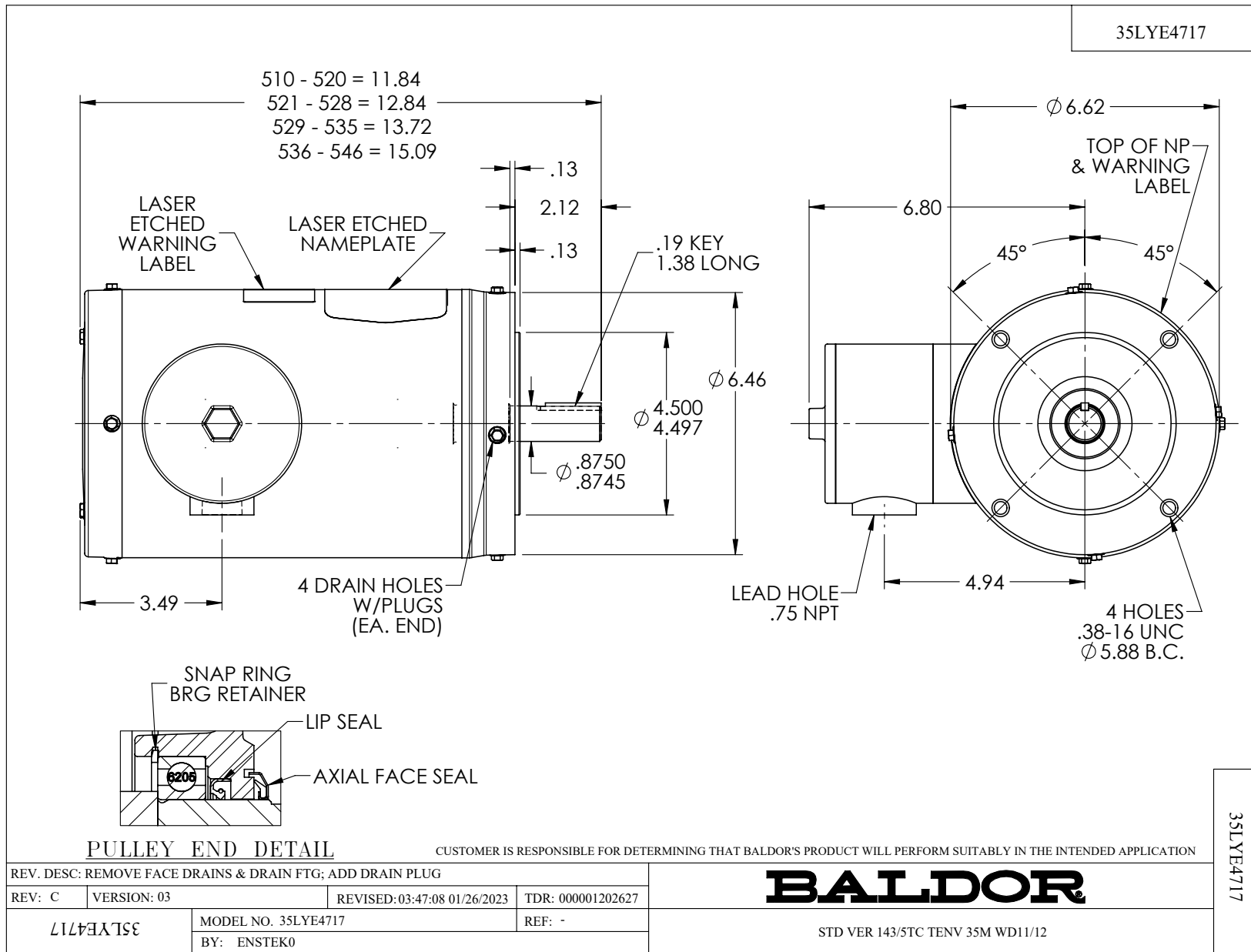
Typical performance - not guaranteed values.

1 HP 3 PH 60 HZ 1770 RPM 575 V 3522M

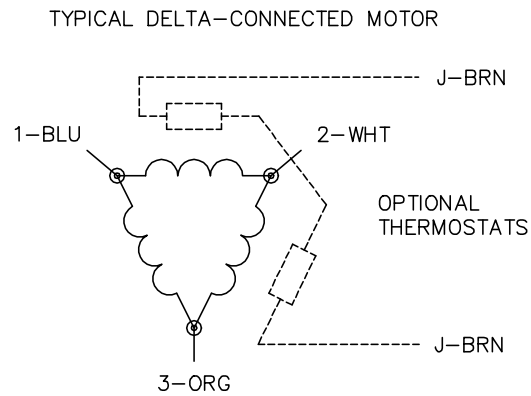
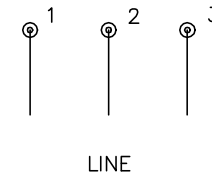
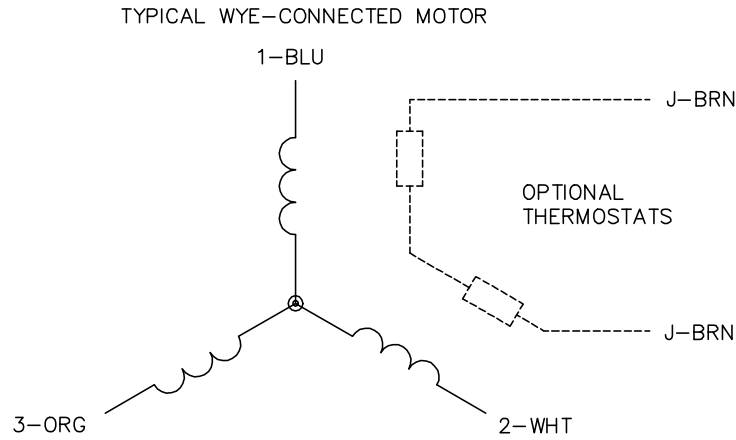
TORQUES (LB-FT): PO=16.37 PU=7.31 LR=10.16 LRA=12.72



2/22/2024 ACPERF, record # 87480



CD0006



NOTES:

1. THREE LEAD MOTOR MAY BE EITHER WYE CONNECTED OR DELTA CONNECTED.
2. INTERCHANGE ANY TWO LINE LEADS TO REVERSE ROTATION.
3. OPTIONAL THERMOSTATS ARE PROVIDED WHEN SPECIFIED.
4. ACTUAL NUMBER OF INTERNAL PARALLEL CIRCUITS MAY VARY.
5. LEAD COLORS ARE OPTIONAL. LEADS MUST BE NUMBERED AS SHOWN.

CD0006

REV. DESC: ADD CLASS CONN00000007		
REV. LTR: E	VERSION: 01	TDR: 000001099922
FILE: \AAA\00005\141	REVISED: 10:24:49 02/19/2019	BY: ENBRIRO
MTL: -	© □	

BALDOR - RELIANCE®

3PH, SV, 3 LEADS, WYE OR DELTA CONNECTED

SH 1 of 1