

# ABB BALDOR RELIANCE III

---

## Customer information packet

VFSWDM3542-E

.75HP, 1765RPM, 3PH, 60HZ, 56C, 3514M, TENV, F1

Class - None

Division - Not Applicable

**Specifications**

<b>Enclosure</b>	TENV
<b>Frame</b>	56C
<b>Frame Material</b>	Stainless Steel
<b>Frequency</b>	60.00 Hz
<b>Haz Area Class and Group</b>	None
<b>Haz Area Division</b>	Not Applicable
<b>Motor Letter Type</b>	Three Phase
<b>Output @ Frequency</b>	.750 HP @ 60 HZ
<b>Phase</b>	3
<b>Synchronous Speed @ Frequency</b>	1800 RPM @ 60 HZ
<b>Voltage @ Frequency</b>	208.0 V @ 60 HZ 230.0 V @ 60 HZ 460.0 V @ 60 HZ
<b>Agency Approvals</b>	CSA CURUSEEV NEMA PREMIUM NEMA_PREMIUM WEEE
<b>Ambient Temperature</b>	40 °C
<b>Auxiliary Box</b>	NO AUXILLARY BOX
<b>Auxiliary Box Lead Termination</b>	None
<b>Base Indicator</b>	No Mounting
<b>Bearing Grease Type</b>	Polyrex EM (-20F +300F)
<b>Blower</b>	None
<b>Current @ Voltage</b>	2.400 A @ 230.0 V 2.400 A @ 208.0 V 1.200 A @ 460.0 V
<b>Design Code</b>	B
<b>Drip Cover</b>	No Drip Cover
<b>Duty Rating</b>	CONT
<b>Efficiency @ 100% Load</b>	82.5 %
<b>Electrically Isolated Bearing</b>	Not Electrically Isolated

**Part Detail**

<b>Revision</b>	C
<b>Type</b>	AC
<b>Mech. spec.</b>	35E4656
<b>Base</b>	
<b>Status</b>	PRD/A
<b>Elec. spec.</b>	35WGG426
<b>Layout</b>	35LYE4656
<b>Eff. date</b>	11-08-2023
<b>CD Diagram</b>	CD0005
<b>Poles</b>	04
<b>Leads</b>	9#18 Y
<b>Proprietary</b>	False
<b>Created date</b>	03-11-2022

<b>Feedback Device</b>	NO FEEDBACK
<b>Front Shaft Indicator</b>	None
<b>Heater Indicator</b>	No Heater
<b>High Voltage Full Load Amps</b>	1.2 a
<b>Insulation Class</b>	H
<b>Inverter Code</b>	Inverter Duty
<b>KVA Code</b>	K
<b>Lifting Lugs</b>	No Lifting Lugs
<b>Locked Bearing Indicator</b>	Locked Bearing
<b>Max Speed</b>	2700 rpm
<b>Motor Finish</b>	UNPAINTED
<b>Motor Lead Quantity/Wire Size</b>	9 @ 18 AWG
<b>Motor Lead Termination</b>	Flying Leads
<b>Motor Standards</b>	NEMA
<b>Motor Type</b>	3514M
<b>Mounting Arrangement</b>	F1
<b>Number of Poles</b>	4
<b>Overall Length</b>	11.78 IN
<b>Power Factor</b>	70
<b>Product Family</b>	WD All SS Encapsulated
<b>Pulley End Bearing Type</b>	Sealed Bearing
<b>Pulley Face Code</b>	C-Face
<b>Pulley Shaft Indicator</b>	Standard
<b>Rodent Screen</b>	None
<b>Service Factor</b>	1.15
<b>Shaft Diameter</b>	0.625 IN
<b>Shaft Ground Indicator</b>	No Shaft Grounding
<b>Shaft Rotation</b>	Reversible
<b>Shaft Slinger Indicator</b>	No Slinger
<b>Speed</b>	1765 rpm
<b>Speed Code</b>	Single Speed
<b>Starting Method</b>	Direct on line
<b>Thermal Device - Bearing</b>	None
<b>Thermal Device - Winding</b>	None

**Vibration Sensor Indicator**

**No Vibration Sensor**

**Winding Thermal 1**

**None**

**Winding Thermal 2**

**None**

**Nameplate**

**NP4427AAA01**

<b>CAT #</b>	VFSWDM3542-E	<b>WT</b>	30	<b>LBS</b>	
<b>SPEC</b>	35E4656G426G1	<b>ENCL</b>	TENV		
<b>SER #</b>		<b>CC</b>	010A	<b>IP</b>	69
<b>HP</b>	.75	<b>MAG CUR</b>	1.4-1.7/.85		
<b>VOLTS</b>	208-230/460	<b>NEMA NOM. EFF</b>	82.5		
<b>AMPS</b>	2.4/1.2	<b>PF</b>	70		
<b>RATING</b>	40C AMB-CONT				
<b>RPM</b>	1765	<b>MAX RPM</b>	2700		
<b>FRAME</b>	56C	<b>HZ</b>	60	<b>CODE</b>	K
		<b>CLASS</b>	H		
<b>SER.F.</b>	1.15	<b>SF AMP</b>	2.8-2.6/1.3	<b>PH</b>	3
		<b>DES</b>	B		
<b>DE</b>	6205	<b>ODE</b>	6205		
<b>LUBRICATION</b>	POLYREX EM				
<b>ID LOGO</b>	<b>INVERTER TYPE</b>	<b>VPWM</b>	<b>CHP</b>	60	<b>TO</b> 90 1.5:1
<b>ID LOGO</b>	<b>WK2</b> 0.101	<b>CT</b> 15	<b>TO</b> 60	4:1	
<b>ID LOGO</b>	<b>SL HZ</b> 1.2	<b>VT</b> 3	<b>TO</b> 60	20:1	
<b>YR</b>		<b>QR</b>			

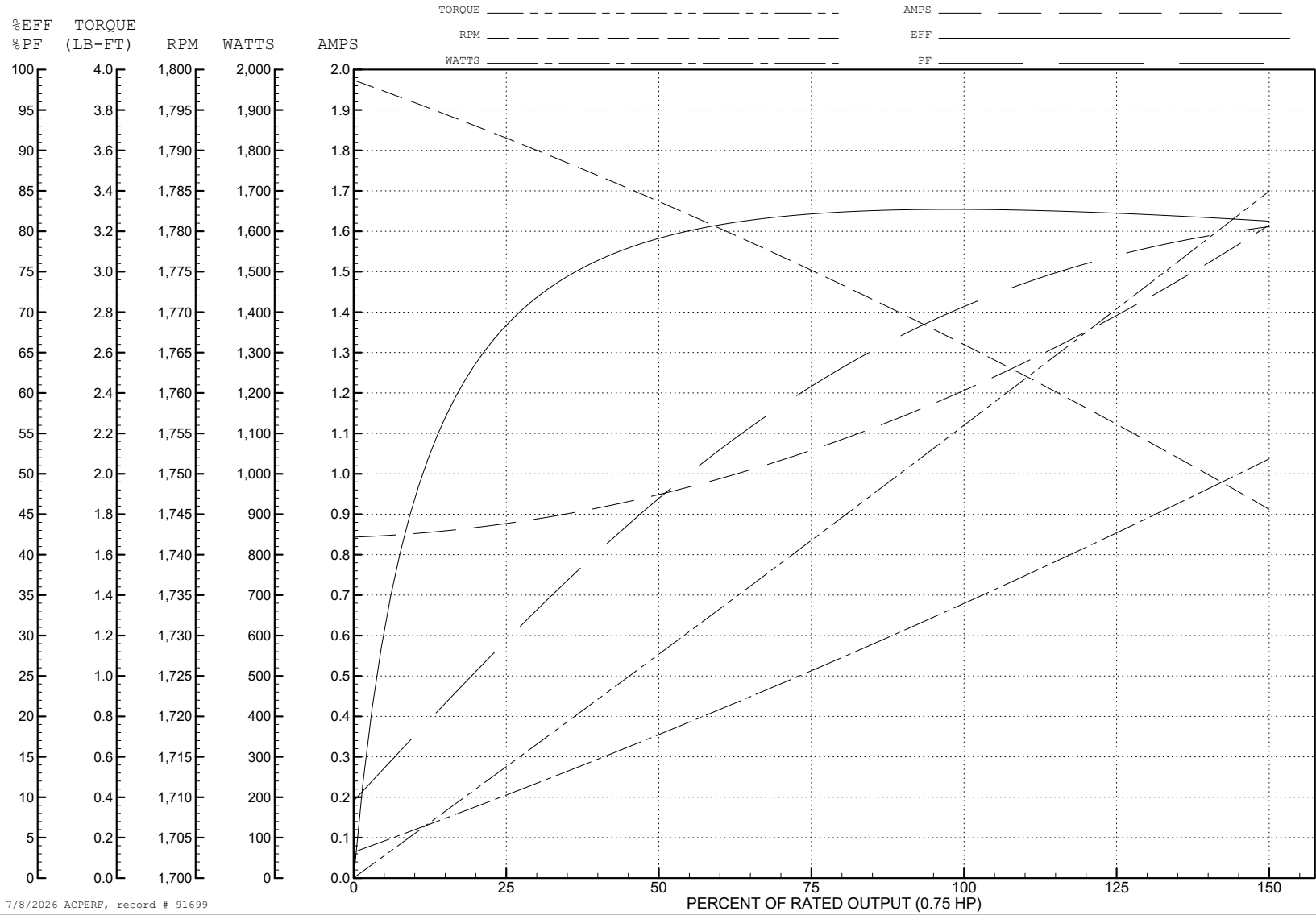
ABB Motors and Mechanical Inc.

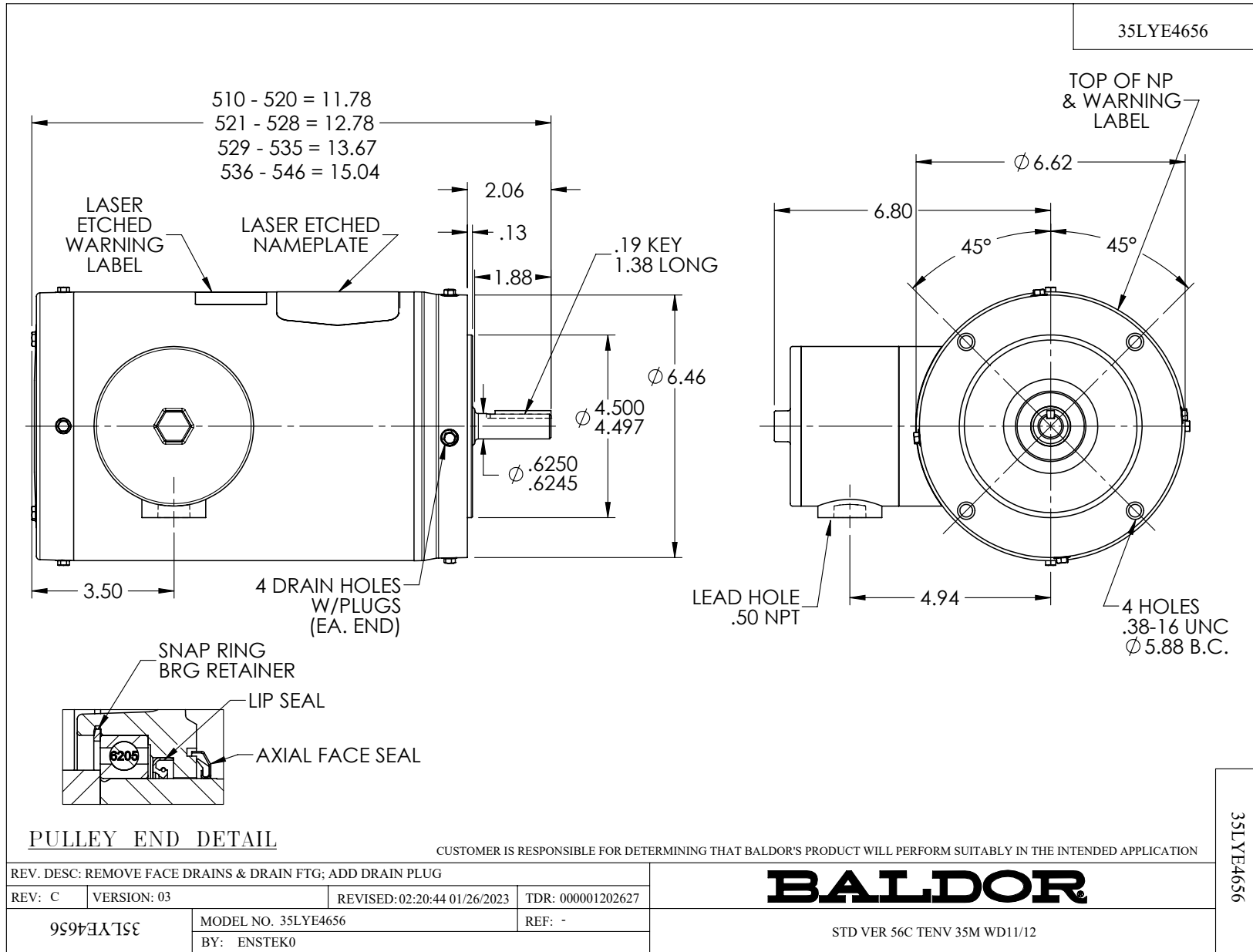
WINDING # 35WGG426

0.75 HP 3 PH 60 HZ 1765 RPM 460 V 3514M

Typical performance - not guaranteed values.

TORQUES (LB-FT) : PO=8 PU=4.4 LR=5.1 LRA=8.4

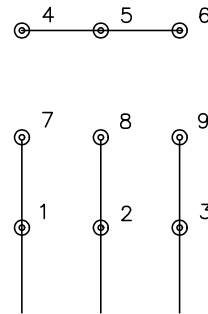




CD0005



LOW VOLTAGE  
(2Y)



LINE

HIGH VOLTAGE  
(1Y)



LINE

NOTES:

1. INTERCHANGE ANY TWO LINE LEADS TO REVERSE ROTATION.
2. OPTIONAL THERMOSTATS ARE PROVIDED WHEN SPECIFIED.
3. ACTUAL NUMBER OF INTERNAL PARALLEL CIRCUITS MAY BE A MULTIPLE OF THOSE SHOWN ABOVE.
4. LEAD COLORS ARE OPTIONAL. LEADS MUST ALWAYS BE NUMBERED AS SHOWN.

CD0005

REV. DESC: REVISE TO SHOW OPTIONAL COLORS			
REV. LTR: E	BY: JLP	REVISED: 01/19/99 10:15	TDR: 0171435
S00000		FILE: AAA00005140	MDL: -
		MTL: -	

**BALDOR ELECTRIC Co.**

3PH, DV, 9 LEADS