

# **ABB BALDOR RELIANCE III**

---

## **Customer information packet**

VFSWDL3510

1HP, 1725RPM, 1PH, 60HZ, 56C, 3538L, TEFC, F1, N

Class - None

Division - Not Applicable

**Specifications**

<b>Enclosure</b>	TEFC
<b>Frame</b>	56C
<b>Frame Material</b>	Stainless Steel
<b>Frequency</b>	60.00 Hz
<b>Haz Area Class and Group</b>	None
<b>Haz Area Division</b>	Not Applicable
<b>Motor Letter Type</b>	Cap Start, Induction Run
<b>Output @ Frequency</b>	1.000 HP @ 60 HZ
<b>Phase</b>	1
<b>Synchronous Speed @ Frequency</b>	1800 RPM @ 60 HZ
<b>Voltage @ Frequency</b>	115.0 V @ 60 HZ 230.0 V @ 60 HZ
<b>Agency Approvals</b>	UR CSA
<b>Ambient Temperature</b>	40 °C
<b>Auxiliary Box</b>	NO AUXILLARY BOX
<b>Auxiliary Box Lead Termination</b>	None
<b>Base Indicator</b>	No Mounting
<b>Bearing Grease Type</b>	Polyrex EM (-20F +300F)
<b>Blower</b>	None
<b>Current @ Voltage</b>	11.100 A @ 115.0 V 5.500 A @ 230.0 V
<b>Design Code</b>	L
<b>Drip Cover</b>	No Drip Cover
<b>Duty Rating</b>	CONT
<b>Efficiency @ 100% Load</b>	74.0 %
<b>Electrically Isolated Bearing</b>	Not Electrically Isolated
<b>Feedback Device</b>	NO FEEDBACK
<b>Front Shaft Indicator</b>	None
<b>Heater Indicator</b>	No Heater
<b>High Voltage Full Load Amps</b>	5.5 a
<b>Insulation Class</b>	F

**Part Detail**

<b>Revision</b>	C
<b>Type</b>	AC
<b>Mech. spec.</b>	35E4628
<b>Base</b>	
<b>Status</b>	PRD/A
<b>Elec. spec.</b>	35WGG402
<b>Layout</b>	35LYE4628
<b>Eff. date</b>	07-02-2024
<b>CD Diagram</b>	CD0648
<b>Poles</b>	04
<b>Leads</b>	7#18
<b>Proprietary</b>	False
<b>Created date</b>	08-01-2022

<b>Inverter Code</b>	Not Inverter
<b>KVA Code</b>	K
<b>Lifting Lugs</b>	No Lifting Lugs
<b>Locked Bearing Indicator</b>	Locked Bearing
<b>Motor Finish</b>	UNPAINTED
<b>Motor Lead Quantity/Wire Size</b>	6 @ 18 AWG
<b>Motor Lead Termination</b>	Flying Leads
<b>Motor Standards</b>	NEMA
<b>Motor Type</b>	3538L
<b>Mounting Arrangement</b>	F1
<b>Number of Poles</b>	4
<b>Overall Length</b>	16.26 IN
<b>Power Factor</b>	79
<b>Product Family</b>	WD All SD Non-Encapsulated
<b>Pulley End Bearing Type</b>	Sealed Bearing
<b>Pulley Face Code</b>	C-Face
<b>Pulley Shaft Indicator</b>	Standard
<b>Rodent Screen</b>	None
<b>Service Factor</b>	1.15
<b>Shaft Diameter</b>	0.625 IN
<b>Shaft Ground Indicator</b>	No Shaft Grounding
<b>Shaft Rotation</b>	Reversible
<b>Shaft Slinger Indicator</b>	No Slinger
<b>Speed</b>	1725 rpm
<b>Speed Code</b>	Single Speed
<b>Starting Method</b>	Direct on line
<b>Thermal Device - Bearing</b>	None
<b>Thermal Device - Winding</b>	None
<b>Vibration Sensor Indicator</b>	No Vibration Sensor
<b>Winding Thermal 1</b>	None
<b>Winding Thermal 2</b>	None

**Nameplate**

<b>NP4427ALG30</b>									
<b>CAT #</b>	VFSWDL3510			<b>WT</b>	41	<b>LBS</b>			
<b>SPEC</b>	35E4628G402			<b>ENCL</b>	TEFC				
<b>SER #</b>				<b>CC</b>		<b>IP</b>	69		
<b>HP</b>	1				<b>NEMA NOM. EFF</b>		74		
<b>VOLTS</b>	115/230								
<b>AMPS</b>	11.3/5.65			<b>PF</b>	75				
<b>RATING</b>	40C AMB-CONT								
<b>RPM</b>	1735								
<b>FRAME</b>	56C	<b>HZ</b>	60	<b>CODE</b>	K	<b>CLASS</b>	F		
<b>SER.F.</b>	1.15	<b>SF AMP</b>			<b>PH</b>	1	<b>DES</b>	L	
<b>DE</b>	6205	<b>ODE</b>	6205						
<b>LUBRICATION</b>	POLYREX EM								
<b>YR</b>								<b>QR</b>	

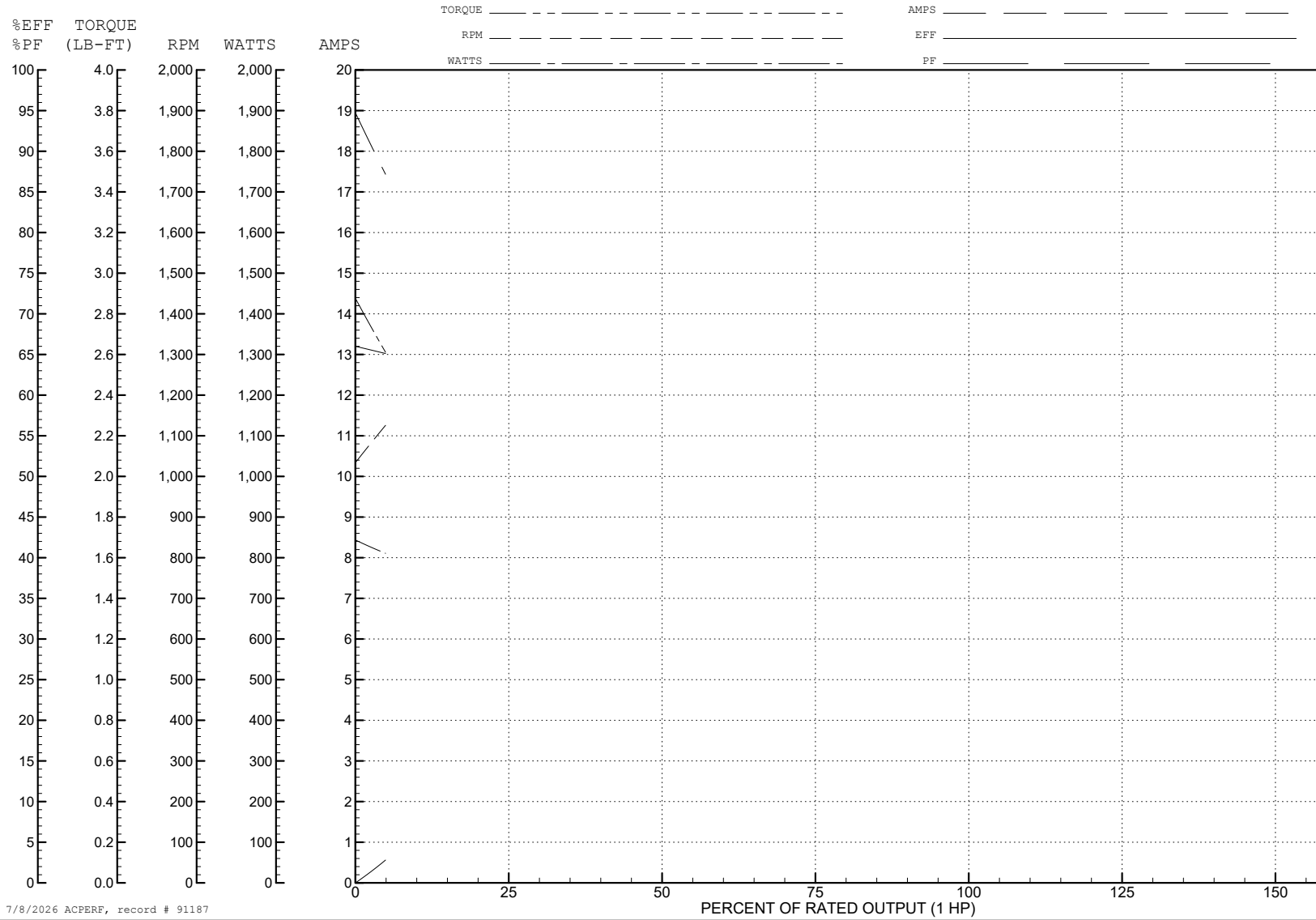
ABB Motors and Mechanical Inc.

WINDING # 35WGG402

Typical performance - not guaranteed values.

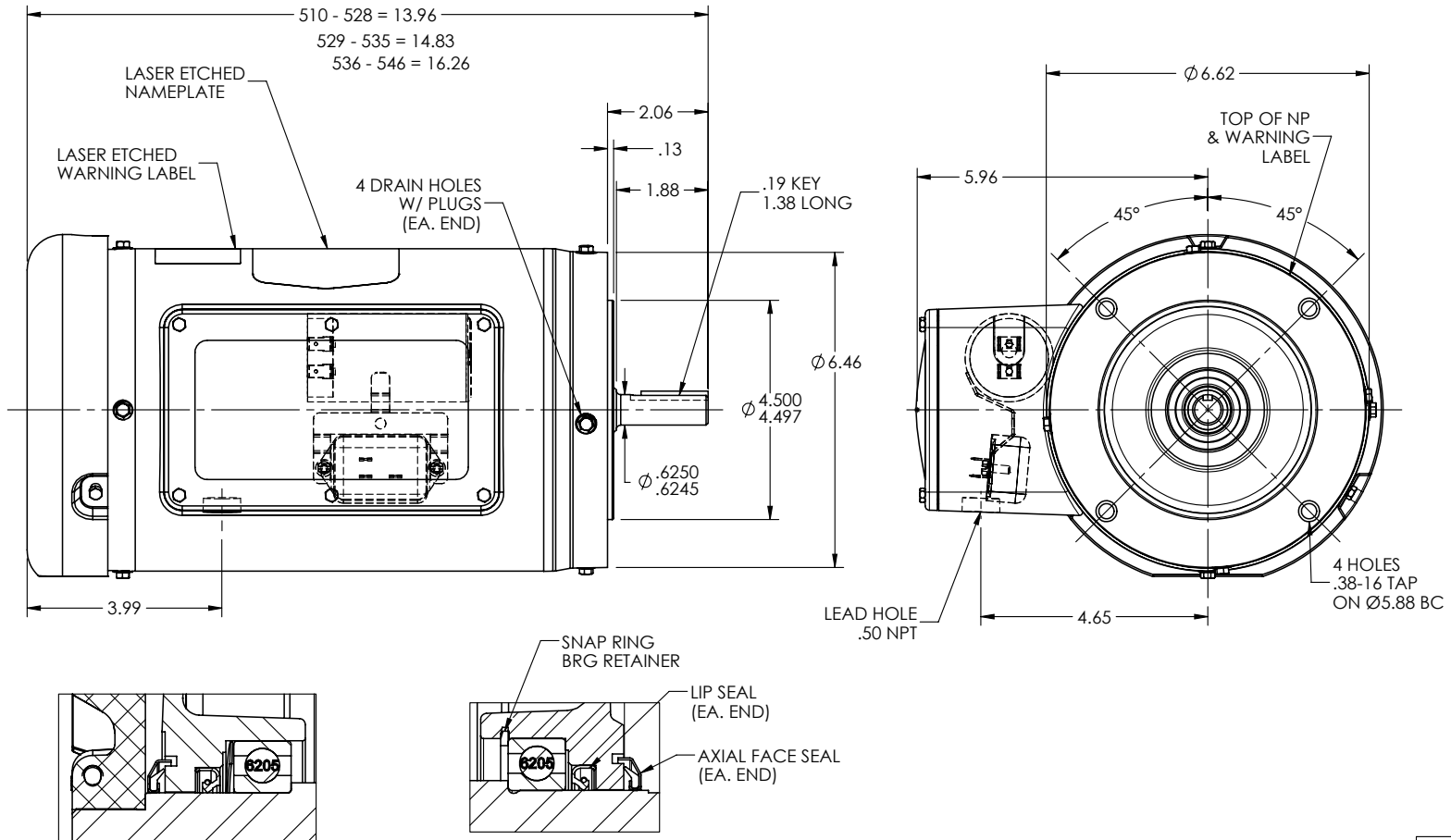
1 HP 1 PH 60 HZ 1725 RPM 115 V 3538L

TORQUES (LB-FT): PO=9.56 PU=5.55 LR=8.58 LRA=76.9



7/8/2026 ACPERF, record # 91187

35LYE4628



FRONT END DETAIL

PULLEY END DETAIL

CUSTOMER IS RESPONSIBLE FOR DETERMINING THAT BALDOR'S PRODUCT WILL PERFORM SUITABLY IN THE INTENDED APPLICATION

REV. DESC: REMOVE FACE DRAINS & DRAIN FTG; ADD DRAIN PLUG

REV: A    VERSION: 01    REVISED: 09:14:42 01/26/2023    TDR: 000001202627

35LYE4628

MODEL NO. 35LYE4628

BY: ENSTEK0

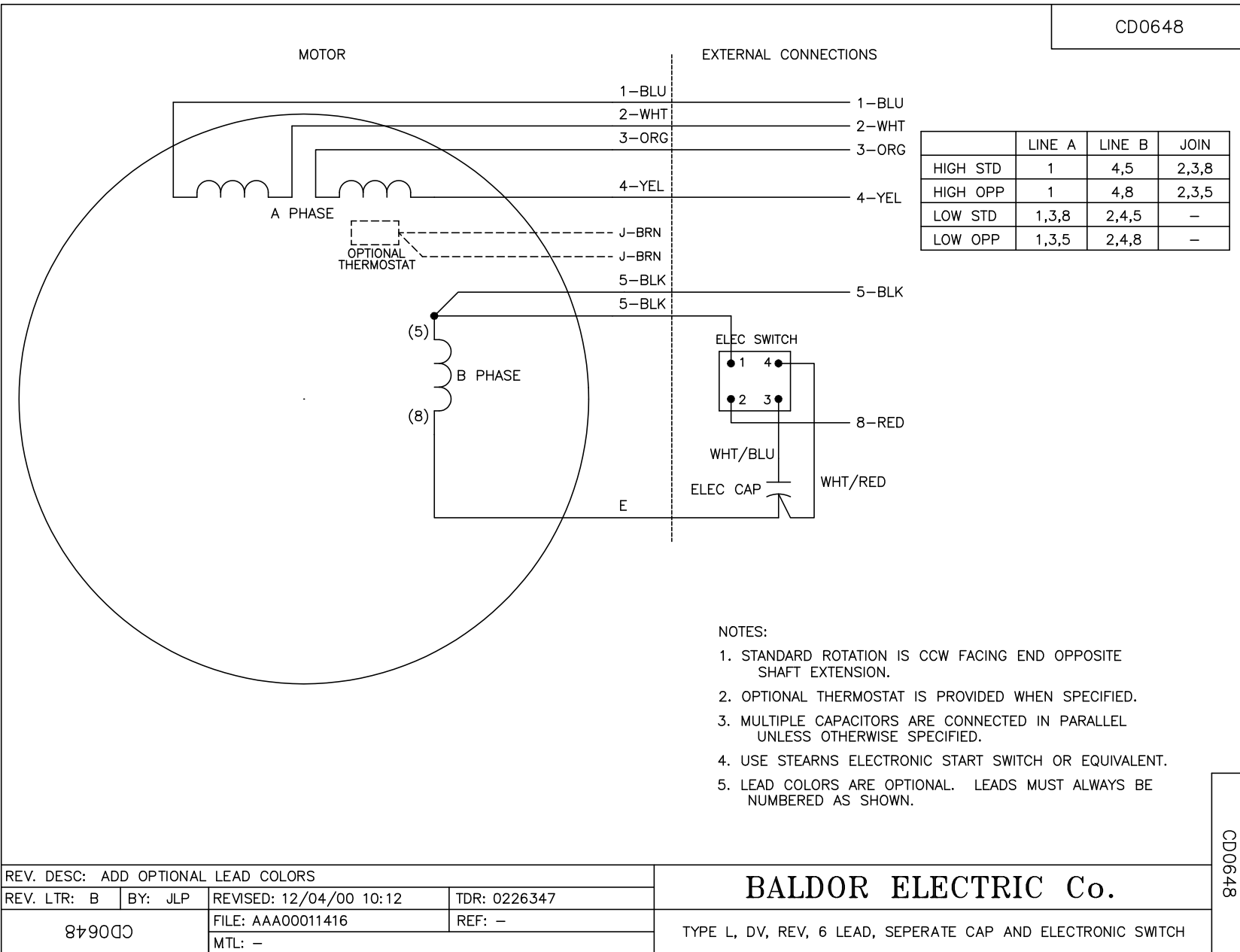
REF: -

**BALDOR**

STD VER 56C TEFC 35L WD11/12

35LYE4628

CD0648



**NOTES:**

1. STANDARD ROTATION IS CCW FACING END OPPOSITE SHAFT EXTENSION.
2. OPTIONAL THERMOSTAT IS PROVIDED WHEN SPECIFIED.
3. MULTIPLE CAPACITORS ARE CONNECTED IN PARALLEL UNLESS OTHERWISE SPECIFIED.
4. USE STEARNS ELECTRONIC START SWITCH OR EQUIVALENT.
5. LEAD COLORS ARE OPTIONAL. LEADS MUST ALWAYS BE NUMBERED AS SHOWN.

CD0648

REV. DESC: ADD OPTIONAL LEAD COLORS			
REV. LTR: B	BY: JLP	REVISED: 12/04/00 10:12	TDR: 0226347
879000		FILE: AAA00011416	REF: -
		MTL: -	

**BALDOR ELECTRIC Co.**

TYPE L, DV, REV, 6 LEAD, SEPERATE CAP AND ELECTRONIC SWITCH