

ABB BALDOR RELIANCE III

Customer information packet

VFSWDL3504

.5HP, 1750RPM, 1PH, 60HZ, 56C, 3520L, TEFC, F1

Class - None

Division - Not Applicable

Specifications

Enclosure	TEFC
Frame	56C
Frame Material	Stainless Steel
Frequency	60.00 Hz
Haz Area Class and Group	None
Haz Area Division	Not Applicable
Motor Letter Type	Cap Start, Induction Run
Output @ Frequency	.500 HP @ 60 HZ
Phase	1
Synchronous Speed @ Frequency	1800 RPM @ 60 HZ
Voltage @ Frequency	115.0 V @ 60 HZ 230.0 V @ 60 HZ
Agency Approvals	WEEE C UR US
Ambient Temperature	40 °C
Auxiliary Box	NO AUXILLARY BOX
Auxiliary Box Lead Termination	None
Base Indicator	No Mounting
Bearing Grease Type	Polyrex EM (-20F +300F)
Blower	None
Current @ Voltage	3.650 A @ 230.0 V 7.300 A @ 115.0 V
Design Code	N
Drip Cover	No Drip Cover
Duty Rating	CONT
Efficiency @ 100% Load	66.0 %
Electrically Isolated Bearing	Not Electrically Isolated
Feedback Device	NO FEEDBACK
Front Shaft Indicator	None
Heater Indicator	No Heater
High Voltage Full Load Amps	3.7 a
Insulation Class	F

Part Detail

Revision	C
Type	AC
Mech. spec.	35E4628
Base	
Status	PRD/A
Elec. spec.	35WGG506
Layout	35LYE4628
Eff. date	12-20-2023
CD Diagram	CD0648
Poles	04
Leads	7#18
Proprietary	False
Created date	02-23-2023

Inverter Code	Not Inverter
KVA Code	M
Lifting Lugs	No Lifting Lugs
Locked Bearing Indicator	Locked Bearing
Motor Finish	UNPAINTED
Motor Lead Quantity/Wire Size	7 @ 18 AWG
Motor Lead Termination	Flying Leads
Motor Standards	NEMA
Motor Type	3520L
Mounting Arrangement	F1
Number of Poles	4
Overall Length	13.96 IN
Power Factor	65
Product Family	WD All SD Non-Encapsulated
Pulley End Bearing Type	Sealed Bearing
Pulley Face Code	C-Face
Pulley Shaft Indicator	Standard
Rodent Screen	None
RoHS Status	ROHS COMPLIANT
Service Factor	1.15
Shaft Diameter	0.625 IN
Shaft Ground Indicator	No Shaft Grounding
Shaft Rotation	Reversible
Shaft Slinger Indicator	No Slinger
Speed	1750 rpm
Speed Code	Single Speed
Starting Method	Direct on line
Thermal Device - Bearing	None
Thermal Device - Winding	None
Vibration Sensor Indicator	No Vibration Sensor
Winding Thermal 1	None
Winding Thermal 2	None

Nameplate

NP4427ALG30									
CAT #	VFSWDL3504			WT	37	LBS			
SPEC	35E4628G506G1			ENCL	TEFC				
SER #				CC		IP	69		
HP	.5			NEMA NOM. EFF		66			
VOLTS	115/230								
AMPS	7.3/3.65			PF	65				
RATING	40C AMB-CONT								
RPM	1750								
FRAME	56C	HZ	60	CODE	M	CLASS	F		
SER.F.	1.15	SF AMP	7.8/3.9	PH	1	DES	N		
DE	6205		ODE	6205					
LUBRICATION	POLYREX EM								
YR				QR					

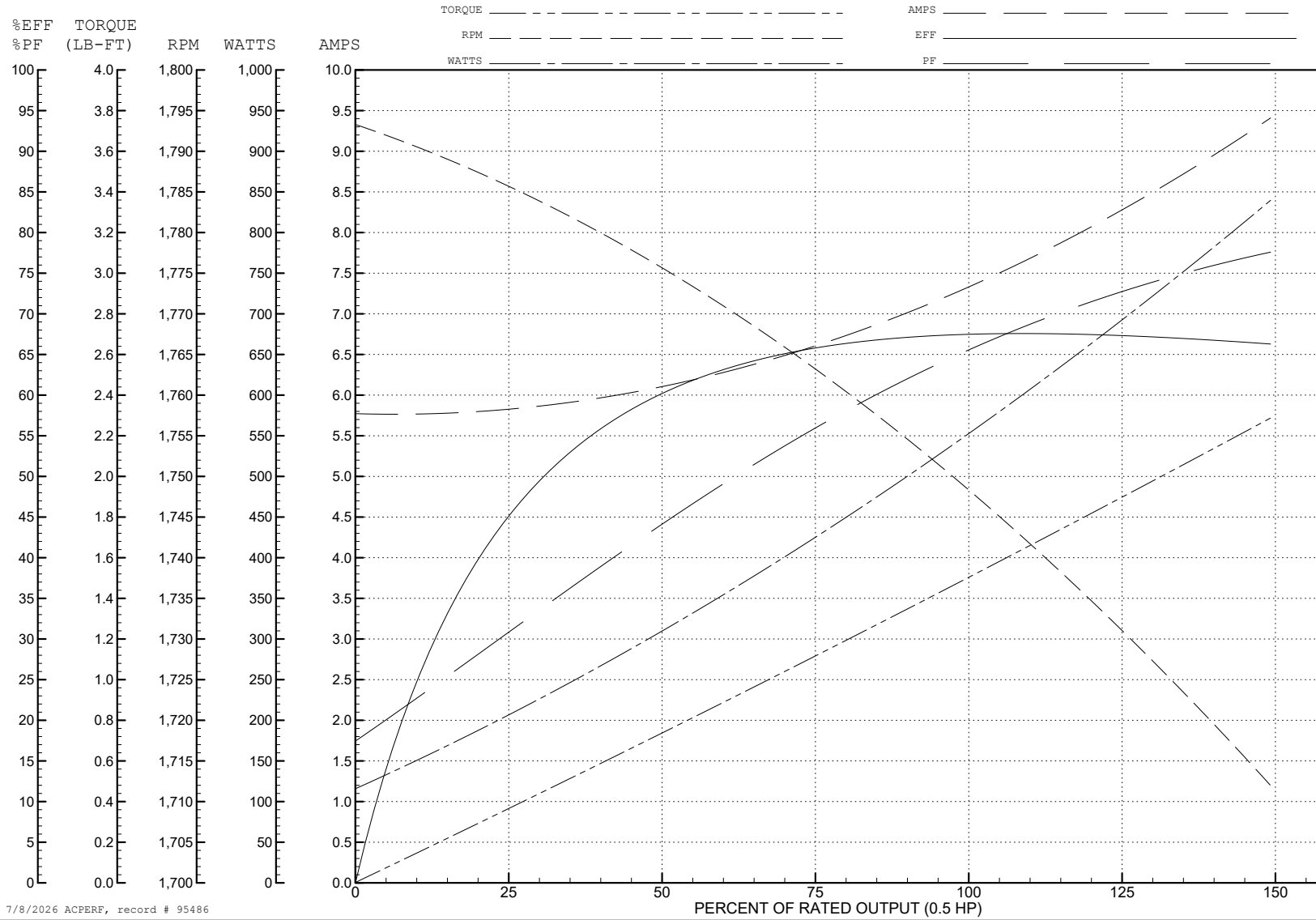
ABB Motors and Mechanical Inc.

WINDING # 35WGG506

0.5 HP 1 PH 60 HZ 1750 RPM 115 V 3520L

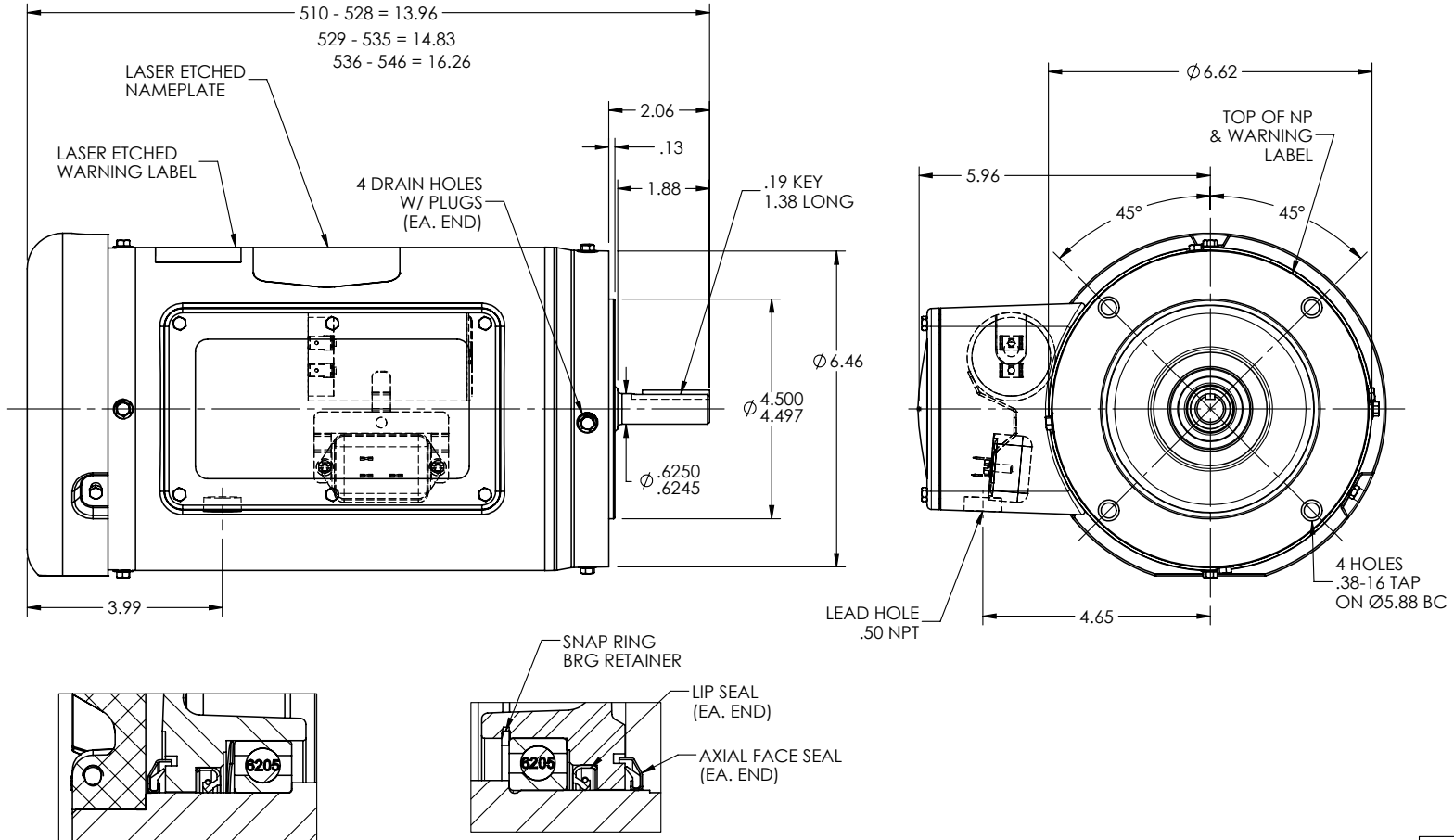
Typical performance - not guaranteed values.

TORQUES (LB-FT): PO=4.6 PU=3.4 LR=5.3 LRA=46



7/8/2026 ACPERF, record # 95486

35LYE4628



FRONT END DETAIL

PULLEY END DETAIL

CUSTOMER IS RESPONSIBLE FOR DETERMINING THAT BALDOR'S PRODUCT WILL PERFORM SUITABLY IN THE INTENDED APPLICATION

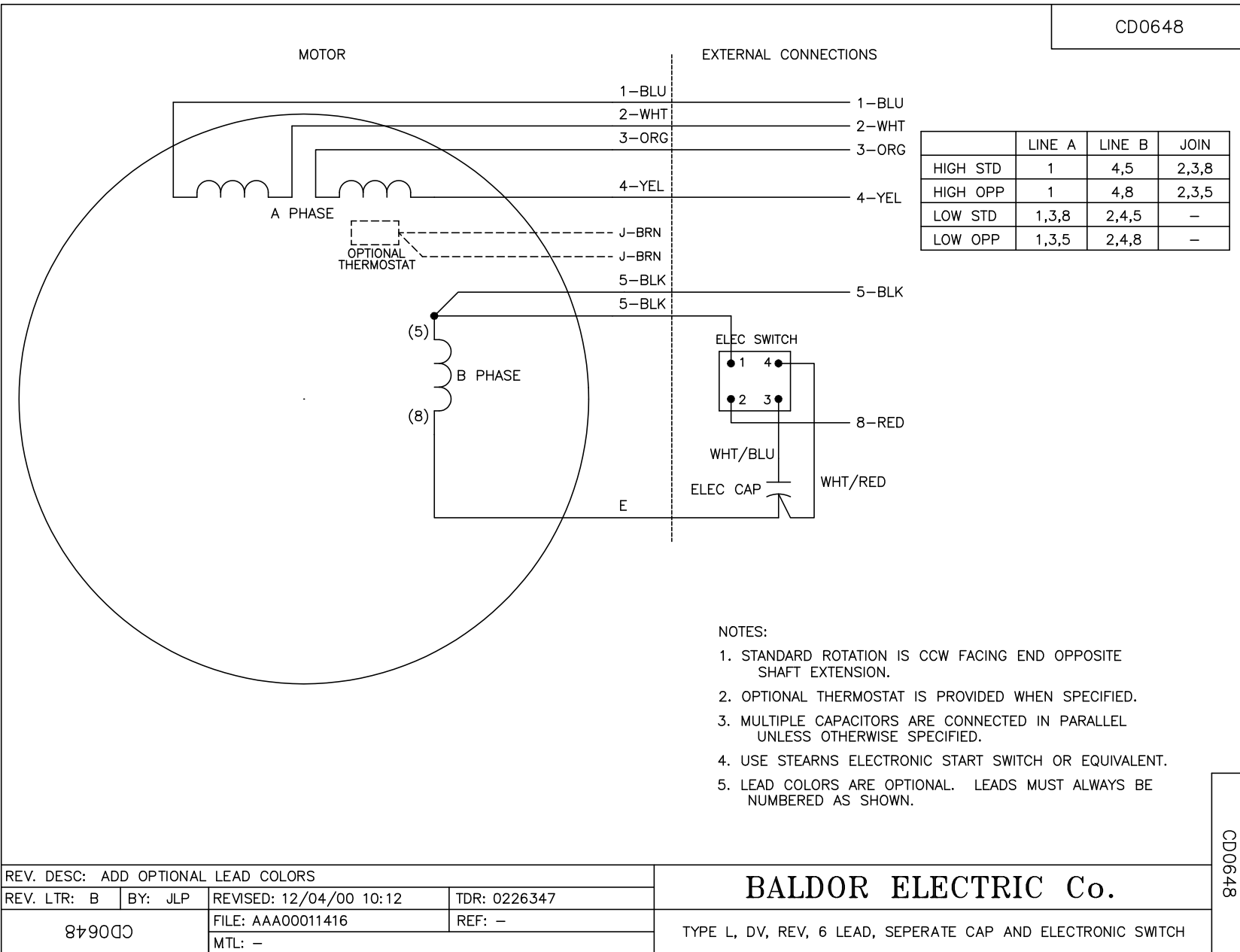
REV. DESC: REMOVE FACE DRAINS & DRAIN FTG; ADD DRAIN PLUG			
REV: A	VERSION: 01	REVISED: 09:14:42 01/26/2023	TDR: 000001202627
35LYE4628	MODEL NO. 35LYE4628	REF: -	
	BY: ENSTEK0		

BALDOR

STD VER 56C TEFC 35L WD11/12

35LYE4628

CD0648



CD0648

REV. DESC: ADD OPTIONAL LEAD COLORS			
REV. LTR: B	BY: JLP	REVISED: 12/04/00 10:12	TDR: 0226347
879000		FILE: AAA00011416	REF: -
		MTL: -	

BALDOR ELECTRIC Co.

TYPE L, DV, REV, 6 LEAD, SEPERATE CAP AND ELECTRONIC SWITCH