

BALDOR • RELIANCE

Customer information packet

VFSSP5M3564T-E-G

5HP, 1800RPM, 3PH, 60HZ, 145TC, 3548B, TEFC, F1

Class - None

Division - Not Applicable

Specifications

Enclosure	TEFC
Frame	145TC
Frame Material	Stainless Steel
Frequency	60.00 Hz
Haz Area Class and Group	None
Haz Area Division	Not Applicable
Motor Letter Type	Brushless Wound Field PM Rotor
Output @ Frequency	5.000 HP @ 60 HZ
Phase	3
Synchronous Speed @ Frequency	1800 RPM @ 60 HZ
Voltage @ Frequency	230.0 V @ 60 HZ 460.0 V @ 60 HZ
Agency Approvals	WEEE C UR US
Ambient Temperature	40 °C
Auxillary Box	No Auxillary Box
Auxillary Box Lead Termination	None
Base Indicator	No Mounting
Bearing Grease Type	Polyrex EM (-20F +300F)
Blower	None
Current @ Voltage	10.400 A @ 230.0 V 5.200 A @ 460.0 V
Design Code	-
Drip Cover	No Drip Cover
Duty Rating	CONT
Efficiency @ 100% Load	93.0 %
Electrically Isolated Bearing	Not Electrically Isolated
Feedback Device	NO FEEDBACK
Front Shaft Indicator	None
Heater Indicator	No Heater
High Voltage Full Load Amps	5.2 a
Insulation Class	H

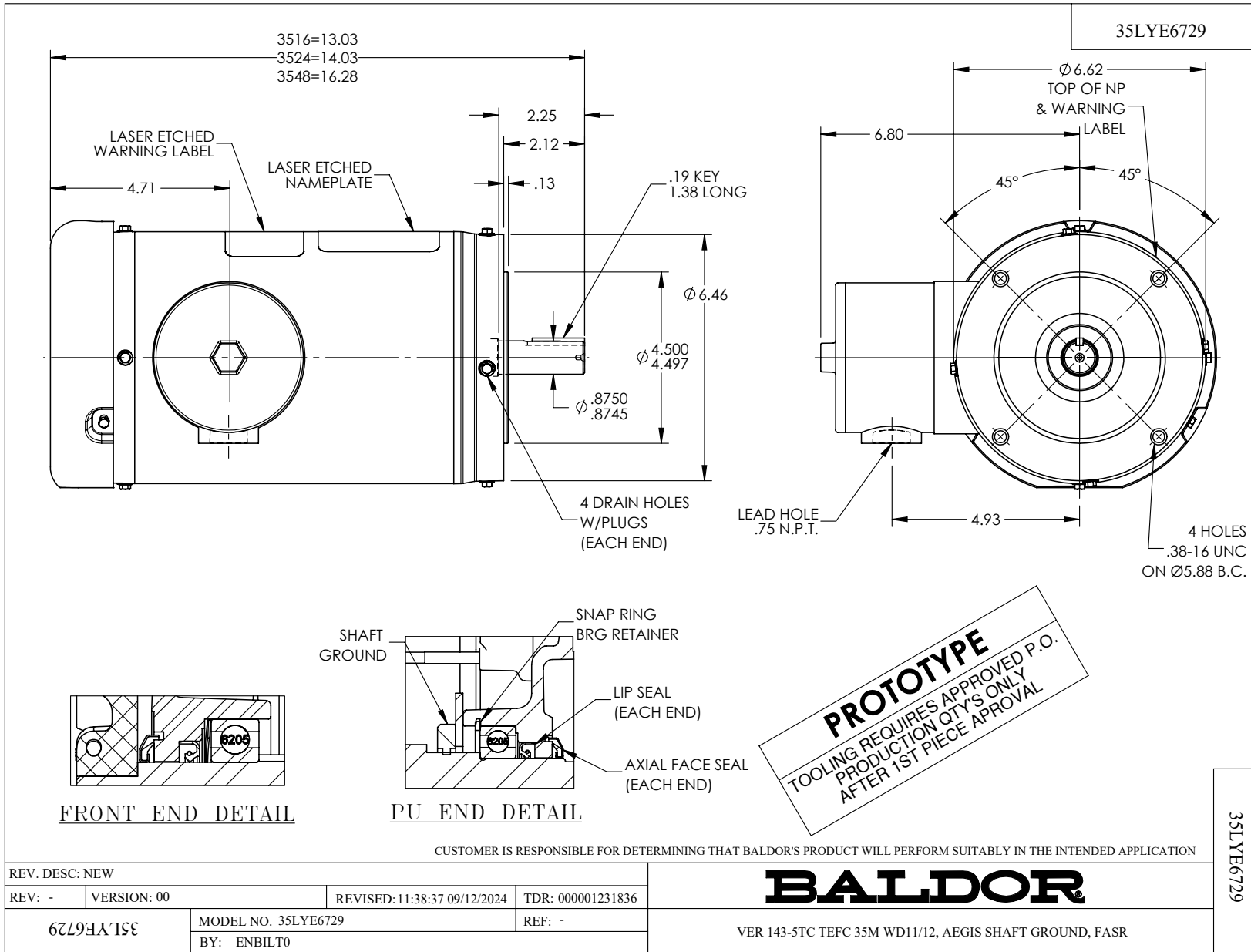
Part detail

Revision	B
Type	AC
Mech. spec.	35E6729
Base	
Status	PRD/A
Elec. spec.	35WGG925
Layout	35LYE6729
Eff. date	01-28-2025
CD Diagram	CD0005A25
Poles	04
Leads	9#14
Proprietary	False
Created date	09-12-2024

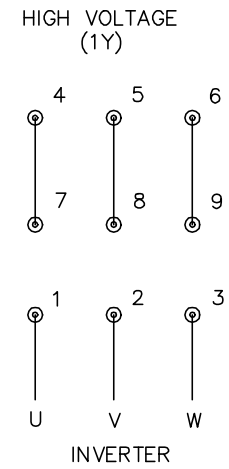
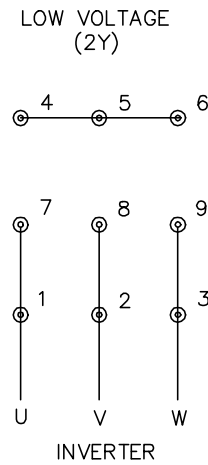
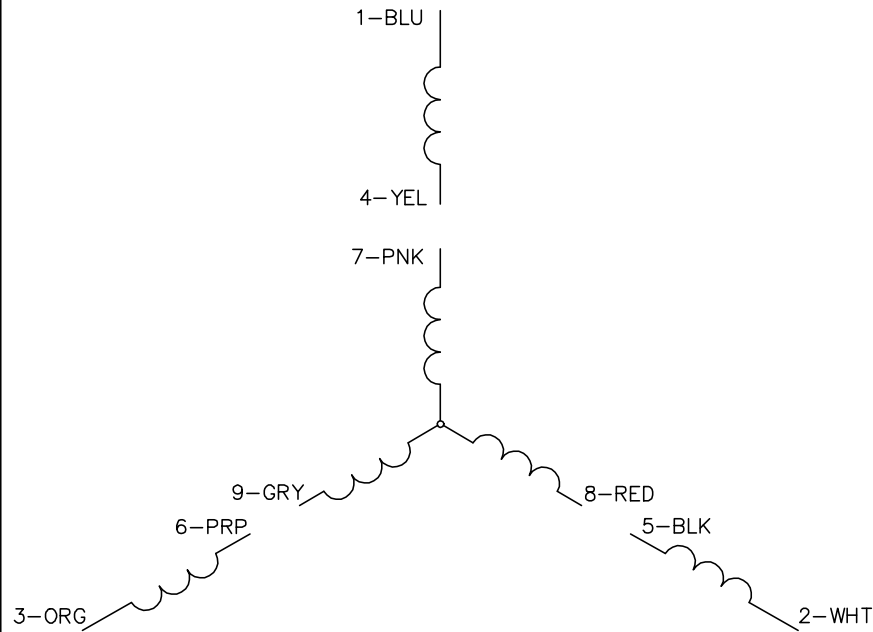
Inverter Code	03
KVA Code	-
Lifting Lugs	No Lifting Lugs
Locked Bearing Indicator	Locked Bearing
Max Speed	4000 rpm
Motor Finish	UNPAINTED
Motor Lead Quantity/Wire Size	9 @ 14 AWG
Motor Lead Termination	Flying Leads
Motor Standards	NEMA
Motor Type	3548B
Mounting Arrangement	F1
Number of Poles	4
Overall Length	16.28 IN
Power Factor	97
Product Family	WD All SS Encapsulated
Pulley End Bearing Type	Sealed Bearing
Pulley Face Code	C-Face
Pulley Shaft Indicator	Standard
Rodent Screen	None
Service Factor	1.15
Shaft Diameter	0.875 IN
Shaft Ground Indicator	No Shaft Grounding
Shaft Rotation	Reversible
Shaft Slinger Indicator	No Slinger
Speed	1800 rpm
Speed Code	Single Speed
Starting Method	Direct on line
Thermal Device - Bearing	None
Thermal Device - Winding	None
Vibration Sensor Indicator	No Vibration Sensor
Winding Thermal 1	None
Winding Thermal 2	None

Nameplate

NP4427DLT49A										
CAT #	VFSSP5M3564T-E-G				WT	70	LBS			
SPEC	35E6729G925G1				ENCL	TEFC				
SER #				FRAME	145TC		IP	69		
HP	5		RATING	40C AMB-CONT						
NEMA NOM. EFF	93	PF	97	HZ	60		PH	3	CLASS	H
VOLTS	230/460			AMPS	10.4/5.2					
SER.F.	1.15	RPM	1800		MAX RPM	4000				
BEMF (V)	123/247			RS (OHMS)	0.84/3.35					
LD(MH)	8.1/32.4			LQ(MH)	37.7/150.6					
VPWM	CHP	60		TO	133					
CT	6	TO	60	VT	6	TO	60			
MATCHED INV	ACS380-04XX-17A5-2 / 09A4-4									
DE	6205		ODE	6205		YR				



CD0005A25



NOTES:

1. INTERCHANGE ANY TWO LINE LEADS TO REVERSE ROTATION.
2. ACTUAL NUMBER OF INTERNAL PARALLEL CIRCUITS MAY BE A MULTIPLE OF THOSE SHOWN ABOVE.
3. LEAD COLORS ARE OPTIONAL. LEADS MUST ALWAYS BE NUMBERED AS SHOWN.

CD0005A25

REV. DESC: NEW		
REV. LTR: -	VERSION: 00	TDR: 000001135746
FILE: \AAA\00253\082	REVISED: 01:10:57 03/30/2020	BY: ENMARSO
MTL: -	© □	

BALDOR - RELIANCE®

3PH, DV, 9 LEADS, ECS
SH 1 of 1