

ABB BALDOR RELIANCE III

Customer information packet

VFSFWDM3538-E

.5HP, 1770RPM, 3PH, 60HZ, 56C, 3512M, TEFC, F1

Class - None

Division - Not Applicable

Specifications

Enclosure	TEFC
Frame	56C
Frame Material	Stainless Steel
Frequency	60.00 Hz
Haz Area Class and Group	None
Haz Area Division	Not Applicable
Motor Letter Type	Three Phase
Output @ Frequency	.500 HP @ 60 HZ
Phase	3
Synchronous Speed @ Frequency	1800 RPM @ 60 HZ
Voltage @ Frequency	460.0 V @ 60 HZ 230.0 V @ 60 HZ 208.0 V @ 60 HZ
Agency Approvals	CSA UR
Ambient Temperature	40 °C
Auxiliary Box	NO AUXILLARY BOX
Auxiliary Box Lead Termination	None
Base Indicator	No Mounting
Bearing Grease Type	Polyrex EM (-20F +300F)
Blower	None
Current @ Voltage	1.900 A @ 208.0 V 1.800 A @ 230.0 V .900 A @ 460.0 V
Design Code	B
Drip Cover	No Drip Cover
Duty Rating	CONT
Efficiency @ 100% Load	80.0 %
Electrically Isolated Bearing	Not Electrically Isolated
Feedback Device	NO FEEDBACK
Front Shaft Indicator	None
Heater Indicator	No Heater

Part Detail

Revision	F
Type	AC
Mech. spec.	35E4649
Base	
Status	PRD/A
Elec. spec.	35WGZ944
Layout	35LYE4649
Eff. date	05-08-2024
CD Diagram	CD0005
Poles	04
Leads	9#18
Proprietary	False
Created date	01-10-2022

High Voltage Full Load Amps	0.9 a
Insulation Class	H
Inverter Code	Not Inverter
KVA Code	M
Lifting Lugs	No Lifting Lugs
Locked Bearing Indicator	Locked Bearing
Motor Finish	UNPAINTED
Motor Lead Quantity/Wire Size	9 @ 18 AWG
Motor Lead Termination	Flying Leads
Motor Standards	NEMA
Motor Type	3512M
Mounting Arrangement	F1
Number of Poles	4
Overall Length	12.96 IN
Power Factor	65
Product Family	WD All SD Non-Encapsulated
Pulley End Bearing Type	Sealed Bearing
Pulley Face Code	C-Face
Pulley Shaft Indicator	Standard
Rodent Screen	None
Service Factor	1.15
Shaft Diameter	0.625 IN
Shaft Ground Indicator	No Shaft Grounding
Shaft Rotation	Reversible
Shaft Slinger Indicator	No Slinger
Speed	1770 rpm
Speed Code	Single Speed
Starting Method	Direct on line
Thermal Device - Bearing	None
Thermal Device - Winding	None
Vibration Sensor Indicator	No Vibration Sensor
Winding Thermal 1	None
Winding Thermal 2	None

Nameplate

NP4427AAA01

CAT #	VFSFWD3538-E	WT	33	LBS	
SPEC	35E4649Z944G1	ENCL	TEFC		
SER #		CC	010A	IP	69
HP	.5	MAG CUR	1.34-1.58/.79		
VOLTS	208-230/460	NEMA NOM. EFF	80		
AMPS	1.9-1.8/.9	PF	65		
RATING	40C AMB-CONT				
RPM	1770	MAX RPM	2700		
FRAME	56C	HZ	60	CODE	M
		CLASS	H		
SER.F.	1.15	SF AMP	2.1-1.9/0.95	PH	3
		DES	B		
DE	6205	ODE	6205		
LUBRICATION	POLYREX EM				
ID LOGO	INVERTER TYPE	VPWM	CHP	60	TO 90 1.5:1
ID LOGO	WK2 0.087	CT 15	TO 60	4:1	
ID LOGO	SL HZ 0.97	VT 3	TO 60	20:1	
YR		QR			

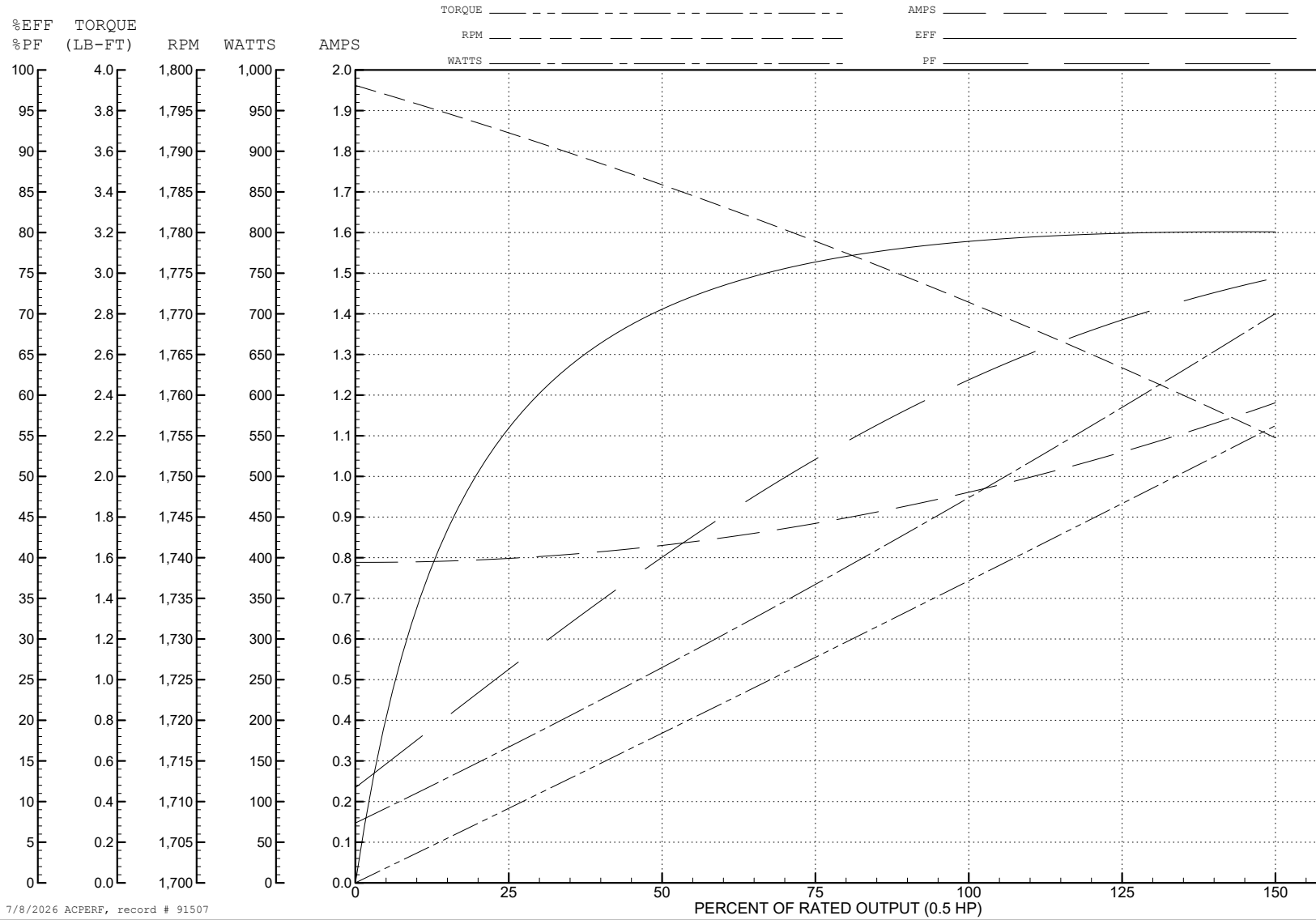
ABB Motors and Mechanical Inc.

WINDING # 35WGZ944

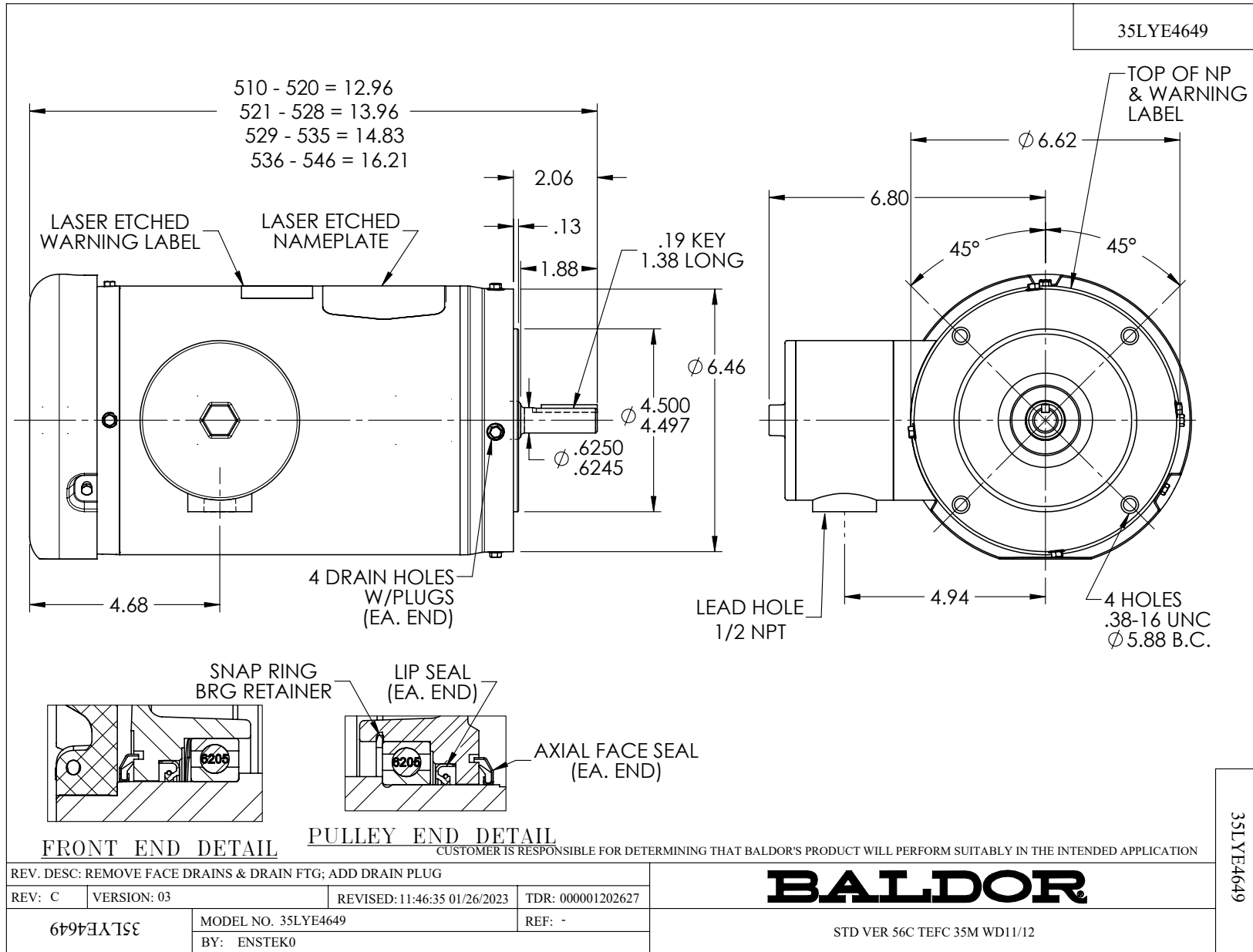
0.5 HP 3 PH 60 HZ 1770 RPM 460 V 3512M

Typical performance - not guaranteed values.

TORQUES (LB-FT): PO=6.28 PU=3.26 LR=4.04 LRA=6.71



7/8/2026 ACPERP, record # 91507



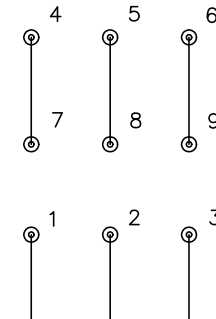
CD0005



LOW VOLTAGE
(2Y)



HIGH VOLTAGE
(1Y)



NOTES:

1. INTERCHANGE ANY TWO LINE LEADS TO REVERSE ROTATION.
2. OPTIONAL THERMOSTATS ARE PROVIDED WHEN SPECIFIED.
3. ACTUAL NUMBER OF INTERNAL PARALLEL CIRCUITS MAY BE A MULTIPLE OF THOSE SHOWN ABOVE.
4. LEAD COLORS ARE OPTIONAL. LEADS MUST ALWAYS BE NUMBERED AS SHOWN.

CD0005

REV. DESC: REVISE TO SHOW OPTIONAL COLORS

REV. LTR: E BY: JLP REVISED: 01/19/99 10:15 TDR: 0171435

500000

FILE: AAA00005140

MDL: -

MTL: -

BALDOR ELECTRIC Co.

3PH, DV, 9 LEADS