

BALDOR • RELIANCE

Customer information packet

VFDL3504M

.5HP, 1725RPM, 1PH, 60HZ, 56C, 3421L, TEFC, F1

Class - None

Division - Not Applicable

Specifications

Enclosure	TEFC
Frame	56C
Frame Material	Steel
Frequency	60.00 Hz
Haz Area Class and Group	None
Haz Area Division	Not Applicable
Motor Letter Type	Cap Start, Induction Run
Output @ Frequency	.500 HP @ 60 HZ
Phase	1
Synchronous Speed @ Frequency	1800 RPM @ 60 HZ
Voltage @ Frequency	115.0 V @ 60 HZ 230.0 V @ 60 HZ
Agency Approvals	UR CSA
Ambient Temperature	40 °C
Auxillary Box	No Auxillary Box
Auxillary Box Lead Termination	None
Base Indicator	No Mounting
Bearing Grease Type	Polyrex EM (-20F +300F)
Blower	None
Current @ Voltage	3.700 A @ 230.0 V 4.300 A @ 208.0 V 7.400 A @ 115.0 V
Design Code	N
Drip Cover	No Drip Cover
Duty Rating	CONT
Efficiency @ 100% Load	68.0 %
Electrically Isolated Bearing	Not Electrically Isolated
Feedback Device	NO FEEDBACK
Front Face Code	Standard
Front Shaft Indicator	None
Heater Indicator	No Heater

Part detail

Revision	P
Type	AC
Mech. spec.	34M372
Base	
Status	PRD/A
Elec. spec.	34WGW722
Layout	34LYM372
Eff. date	07-25-2024
CD Diagram	CD0008
Poles	04
Leads	6#18,1#16 #4TH
Proprietary	False
Created date	11-26-2013

High Voltage Full Load Amps	3.7 a
Insulation Class	B
Inverter Code	Not Inverter
KVA Code	J
Lifting Lugs	No Lifting Lugs
Locked Bearing Indicator	Locked Bearing
Motor Lead Exit	Ko Box
Motor Lead Quantity/Wire Size	6 @ 18 AWG
Motor Lead Termination	Flying Leads
Motor Standards	NEMA
Motor Type	3421L
Mounting Arrangement	F1
Number of Poles	4
Overall Length	11.97 IN
Power Factor	66
Product Family	General Purpose
Pulley End Bearing Type	Sealed Bearing
Pulley Face Code	C-Face
Pulley Shaft Indicator	Standard
Rodent Screen	None
RoHS Status	ROHS COMPLIANT
Service Factor	1.25
Shaft Diameter	0.625 IN
Shaft Extension Location	Pulley End
Shaft Ground Indicator	No Shaft Grounding
Shaft Rotation	Reversible
Shaft Slinger Indicator	Shaft Slinger
Speed	1725 rpm
Speed Code	Single Speed
Starting Method	Direct on line
Thermal Device - Bearing	None
Thermal Device - Winding	None
Vibration Sensor Indicator	No Vibration Sensor
Winding Thermal 1	Manual Thermal Overload

Winding Thermal 1 Location

KO

Winding Thermal 2

None

Nameplate

NP1280L	
CAT.NO.	VFDL3504M
SPEC.	34M372W722G1
HP	.5
VOLTS	115/230
AMP	7.4/3.7
RPM	1725
FRAME	56C HZ 60 PH 1
SER.F.	1.25 CODE J DES N CL B
NEMA-NOM-EFF	68 PF 66
RATING	40C AMB-CONT
CC	
DE	6203 ODE 6203
ENCL	TEFC SN
	SFA 8.2/4.1

AC Induction Motor Performance Data

Record # 7082

Typical performance - not guaranteed values

Winding: 34WGW722-R001		Type: 3421L		Enclosure: TEFC	
Nameplate Data			230 V, 60 Hz: High Voltage Connection		
Rated Output (HP)	.5		Full Load Torque	1.5 LB-FT	
Volts	115/230		Start Configuration	direct on line	
Full Load Amps	7.4/3.7		Breakdown Torque	4.13 LB-FT	
R.P.M.	1725		Pull-up Torque	3.6 LB-FT	
Hz	60 Phase	1	Locked-rotor Torque	4.65 LB-FT	
NEMA Design Code	N KVA Code	J	Starting Current	16.5 A	
Service Factor (S.F.)	1.25		No-load Current	2.8 A	
NEMA Nom. Eff.	68 Power Factor	66	Line-line Res. @ 25°C	4.44 Ω A Ph 3.19 Ω B Ph	
Rating - Duty	40C AMB-CONT		Temp. Rise @ Rated Load	63°C	
S.F. Amps	8.2/4.1		Temp. Rise @ S.F. Load	77°C	

Load Characteristics 230 V, 60 Hz, 0.5 HP

% of Rated Load	25	50	75	100	125	150	S.F.
Power Factor	32	46	59	66	72	80	72
Efficiency	42	58	65	68	69	68	69
Speed	1783	1765	1750	1730	1710	1680	1710
Line amperes	2.8	3	3.3	3.7	4.1	4.8	4.1

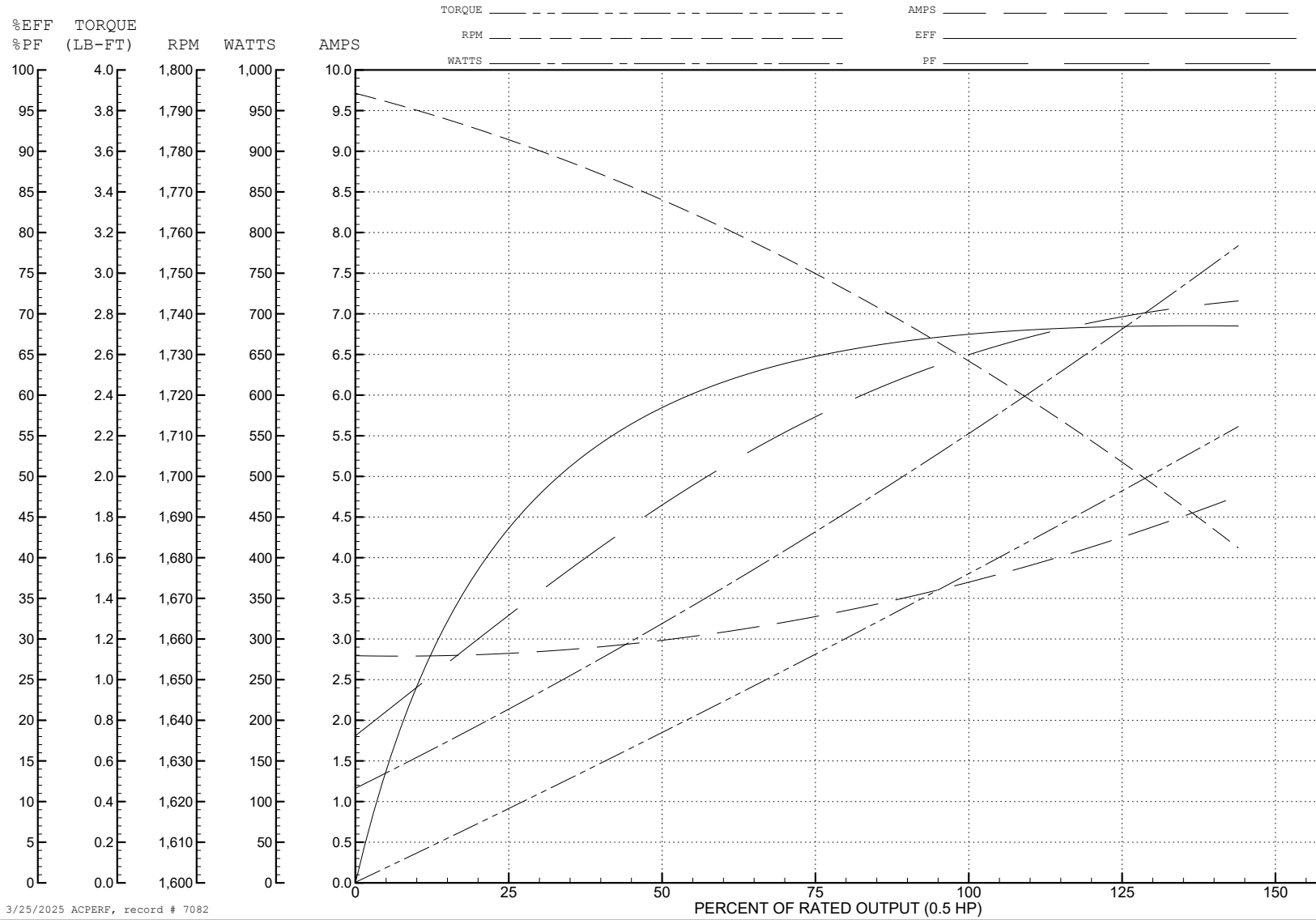
ABB Motors and Mechanical Inc.

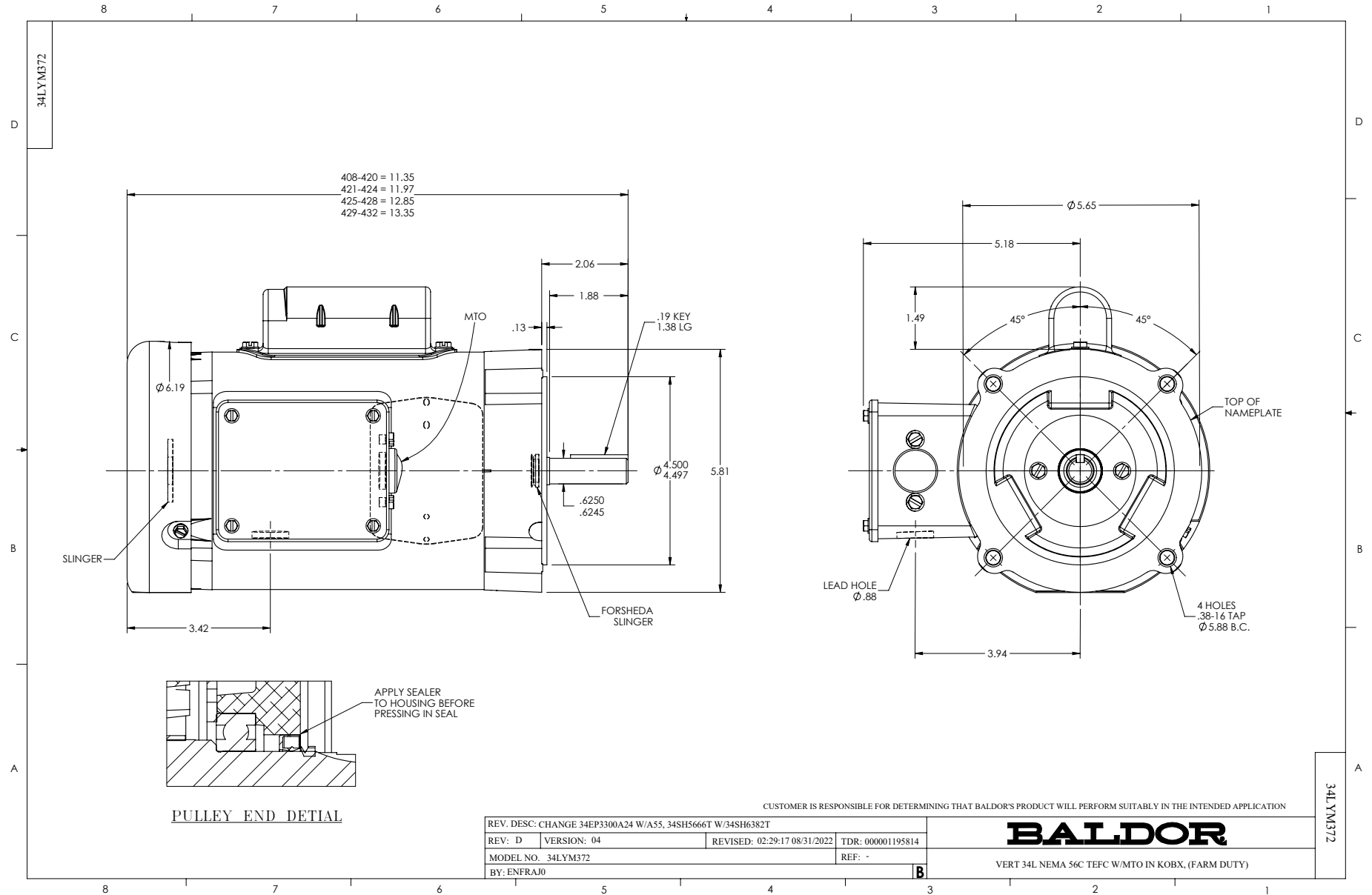
WINDING # 34WG722

Typical performance - not guaranteed values.

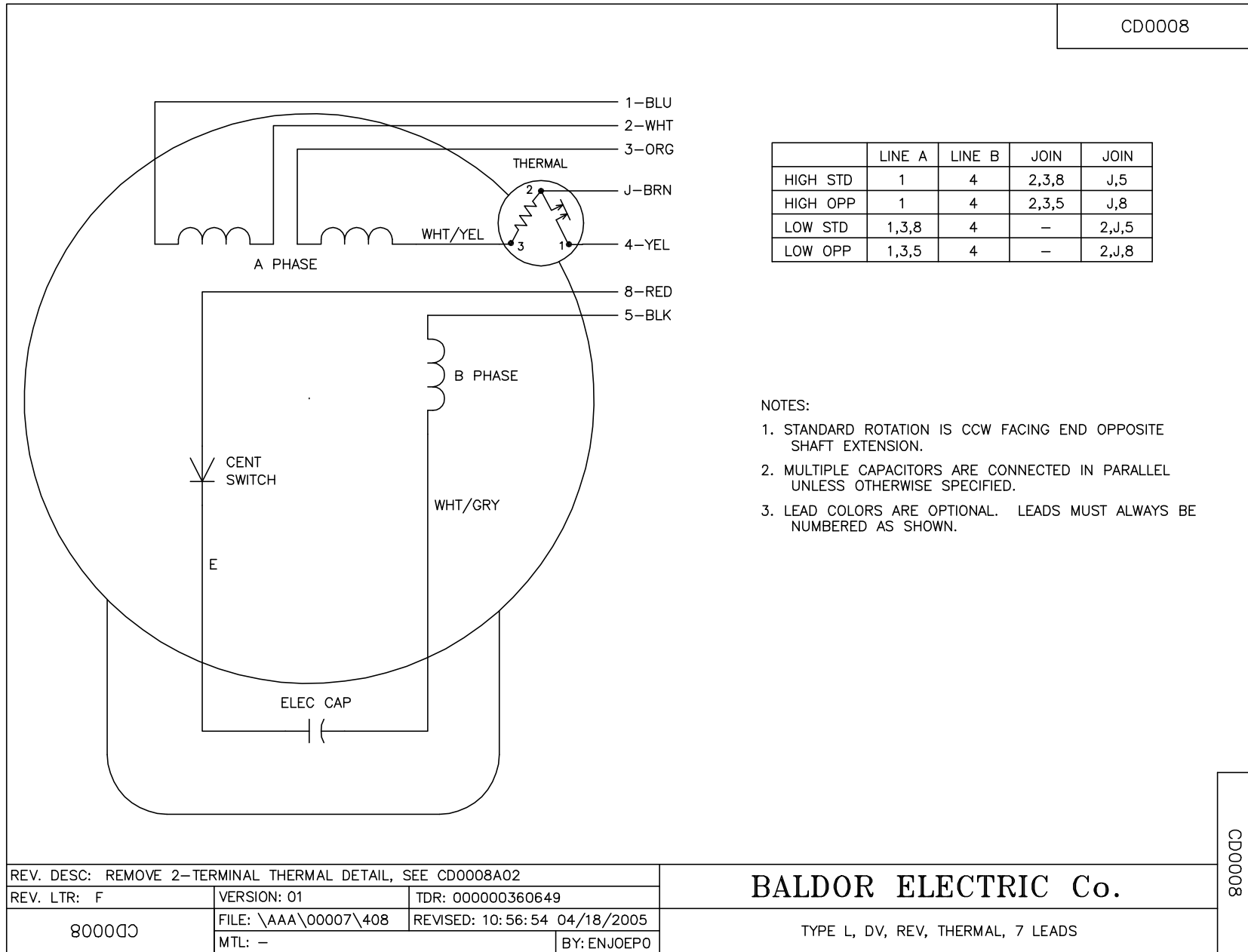
0.5 HP 1 PH 60 HZ 1725 RPM 230 V 3421L

TORQUES (LB-FT): PO=4.13 PU=3.6 LR=4.65 LRA=16.5





CD0008



	LINE A	LINE B	JOIN	JOIN
HIGH STD	1	4	2,3,8	J,5
HIGH OPP	1	4	2,3,5	J,8
LOW STD	1,3,8	4	-	2,J,5
LOW OPP	1,3,5	4	-	2,J,8

NOTES:

1. STANDARD ROTATION IS CCW FACING END OPPOSITE SHAFT EXTENSION.
2. MULTIPLE CAPACITORS ARE CONNECTED IN PARALLEL UNLESS OTHERWISE SPECIFIED.
3. LEAD COLORS ARE OPTIONAL. LEADS MUST ALWAYS BE NUMBERED AS SHOWN.

REV. DESC: REMOVE 2-TERMINAL THERMAL DETAIL, SEE CD0008A02		
REV. LTR: F	VERSION: 01	TDR: 000000360649
800000	FILE: \AAA\00007\408	REVISED: 10:56:54 04/18/2005
	MTL: -	BY: ENJOEPO

BALDOR ELECTRIC Co.

TYPE L, DV, REV, THERMAL, 7 LEADS

CD0008