

**BALDOR • RELIANCE**

---

# Customer information packet

## VESWDM3554-5

1.5HP, 1770RPM, 3PH, 60HZ, 56C, 3530M, TENV, F1

Class - None

Division - Not Applicable

## Specifications

Enclosure	TENV
Frame	56C
Frame Material	Stainless Steel
Frequency	60.00 Hz
Haz Area Class and Group	None
Haz Area Division	Not Applicable
Motor Letter Type	Three Phase
Output @ Frequency	1.500 HP @ 60 HZ
Phase	3
Synchronous Speed @ Frequency	1800 RPM @ 60 HZ
Voltage @ Frequency	575.0 V @ 60 HZ
Agency Approvals	NEMA PREMIUM NEMA_PREMIUM UR CSA EEV
Ambient Temperature	40 °C
Auxillary Box	No Auxillary Box
Auxillary Box Lead Termination	None
Base Indicator	No Mounting
Bearing Grease Type	Polyrex EM (-20F +300F)
Blower	None
Current @ Voltage	1.700 A @ 575.0 V
Design Code	B
Drip Cover	No Drip Cover
Duty Rating	CONT
Efficiency @ 100% Load	86.5 %
Electrically Isolated Bearing	Not Electrically Isolated
Feedback Device	NO FEEDBACK
Front Shaft Indicator	None
Heater Indicator	No Heater
High Voltage Full Load Amps	1.7 a
Insulation Class	F

## Part detail

Revision	A
Type	AC
Mech. spec.	35S617
Base	
Status	PRD/A
Elec. spec.	35WGG195
Layout	35LYS617
Eff. date	02-14-2024
CD Diagram	CD0006
Poles	04
Leads	3#18 Y
Proprietary	False
Created date	03-11-2022

Inverter Code	Not Inverter
KVA Code	M
Lifting Lugs	No Lifting Lugs
Locked Bearing Indicator	Locked Bearing
Motor Lead Quantity/Wire Size	3 @ 18 AWG
Motor Lead Termination	Flying Leads
Motor Standards	NEMA
Motor Type	3530M
Mounting Arrangement	F1
Number of Poles	4
Overall Length	12.95 IN
Power Factor	77
Product Family	Wash Down Paint Free
Pulley End Bearing Type	Sealed Bearing
Pulley Face Code	C-Face
Pulley Shaft Indicator	Standard
Rodent Screen	None
Service Factor	1.15
Shaft Diameter	0.625 IN
Shaft Ground Indicator	No Shaft Grounding
Shaft Rotation	Reversible
Shaft Slinger Indicator	No Slinger
Speed	1770 rpm
Speed Code	Single Speed
Starting Method	Direct on line
Thermal Device - Bearing	None
Thermal Device - Winding	None
Vibration Sensor Indicator	No Vibration Sensor
Winding Thermal 1	None
Winding Thermal 2	None

**Nameplate**

<b>NP1669L</b>									
<b>CAT.NO.</b>	VESWDM3554-5								
<b>SPEC.</b>	35S617G195G1								
<b>HP</b>	1.5								
<b>VOLTS</b>	575								
<b>AMP</b>	1.7								
<b>RPM</b>	1770								
<b>FRAME</b>	56C		<b>HZ</b>	60		<b>PH</b>	3		
<b>SER.F.</b>	1.15	<b>CODE</b>	M	<b>DES</b>	B	<b>CLASS</b>	F		
<b>NEMA-NOM-EFF</b>	86.5	<b>PF</b>	77						
<b>RATING</b>	40C AMB-CONT								
<b>CC</b>	010A								
<b>DE</b>	6205		<b>ODE</b>	6203					
<b>ENCL</b>	TENV	<b>SN</b>							
<b>BLANK</b>	SFA 1.9								

**AC Induction Motor Performance Data**

Record # 82087

Typical performance - not guaranteed values

Winding: 35WGG195-R001		Type: 3530M		Enclosure: TENV	
<b>Nameplate Data</b>			<b>575 V, 60 Hz: Single Voltage Motor</b>		
Rated Output (HP)	1.5	Full Load Torque	4.47 LB-FT		
Volts	575	Start Configuration	direct on line		
Full Load Amps	1.7	Breakdown Torque	20.46 LB-FT		
R.P.M.	1770	Pull-up Torque	11.93 LB-FT		
Hz	60	Locked-rotor Torque	14.47 LB-FT		
NEMA Design Code	B	Starting Current	16.59 A		
Service Factor (S.F.)	1.15	No-load Current	1 A		
NEMA Nom. Eff.	86.5	Line-line Res. @ 25°C	16.1 Ω		
Rating - Duty	40C	Temp. Rise @ Rated Load	71°C		
S.F. Amps	1.9	Temp. Rise @ S.F. Load	83°C		
		Locked-rotor Power Factor	55.3		
		Rotor inertia	0.217 lb-ft <sup>2</sup>		

**Load Characteristics 575 V, 60 Hz, 1.5 HP**

% of Rated Load	25	50	75	100	125	150	S.F.
Power Factor	34	55	69	77	82	85	80
Efficiency	79.3	86.4	88.4	88.3	87.7	86.5	87.9
Speed	1790	1783	1776	1768	1760	1751	1763
Line amperes	1.05	1.19	1.4	1.66	1.96	2.3	1.84

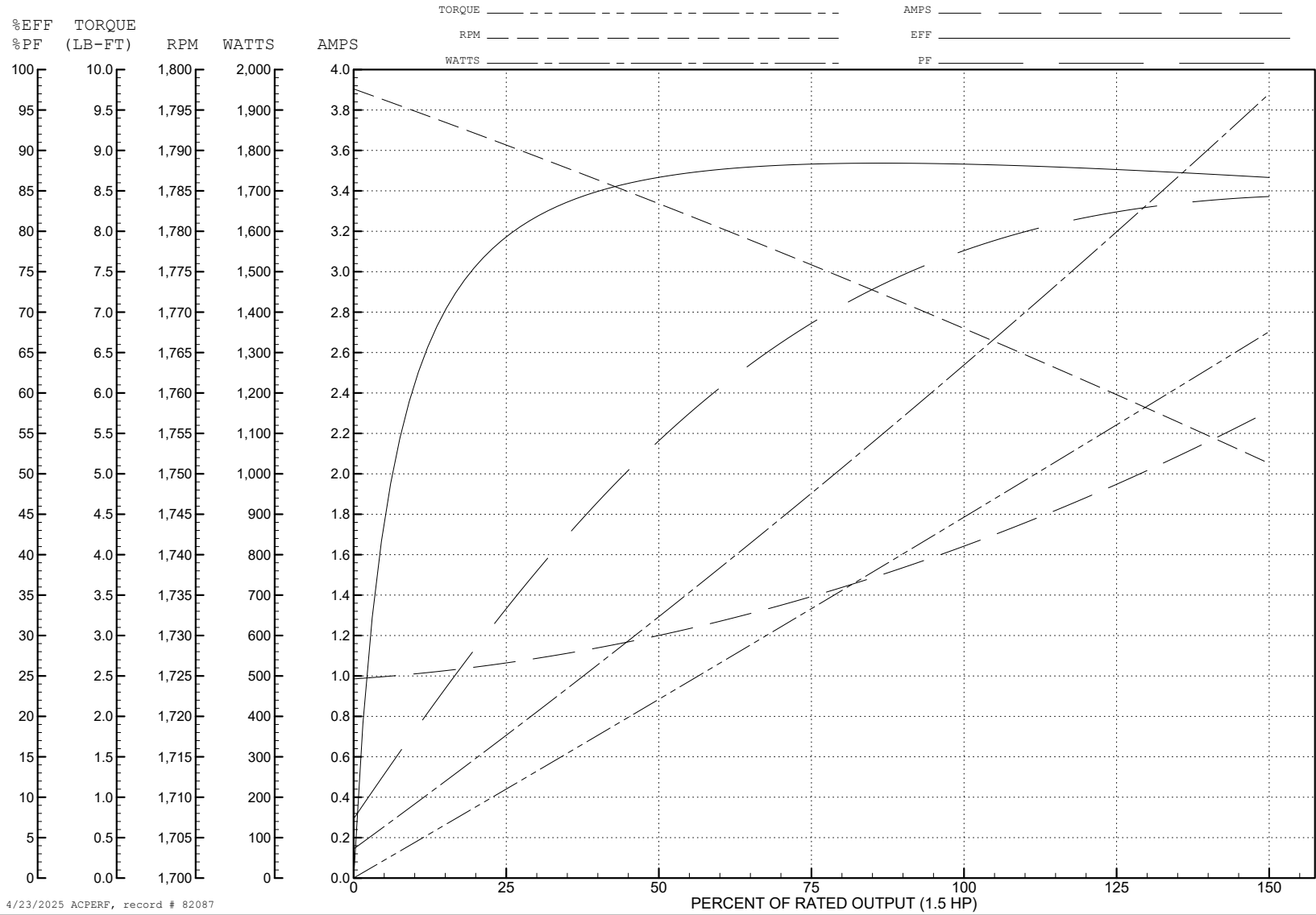
ABB Motors and Mechanical Inc.

WINDING # 35WGG195

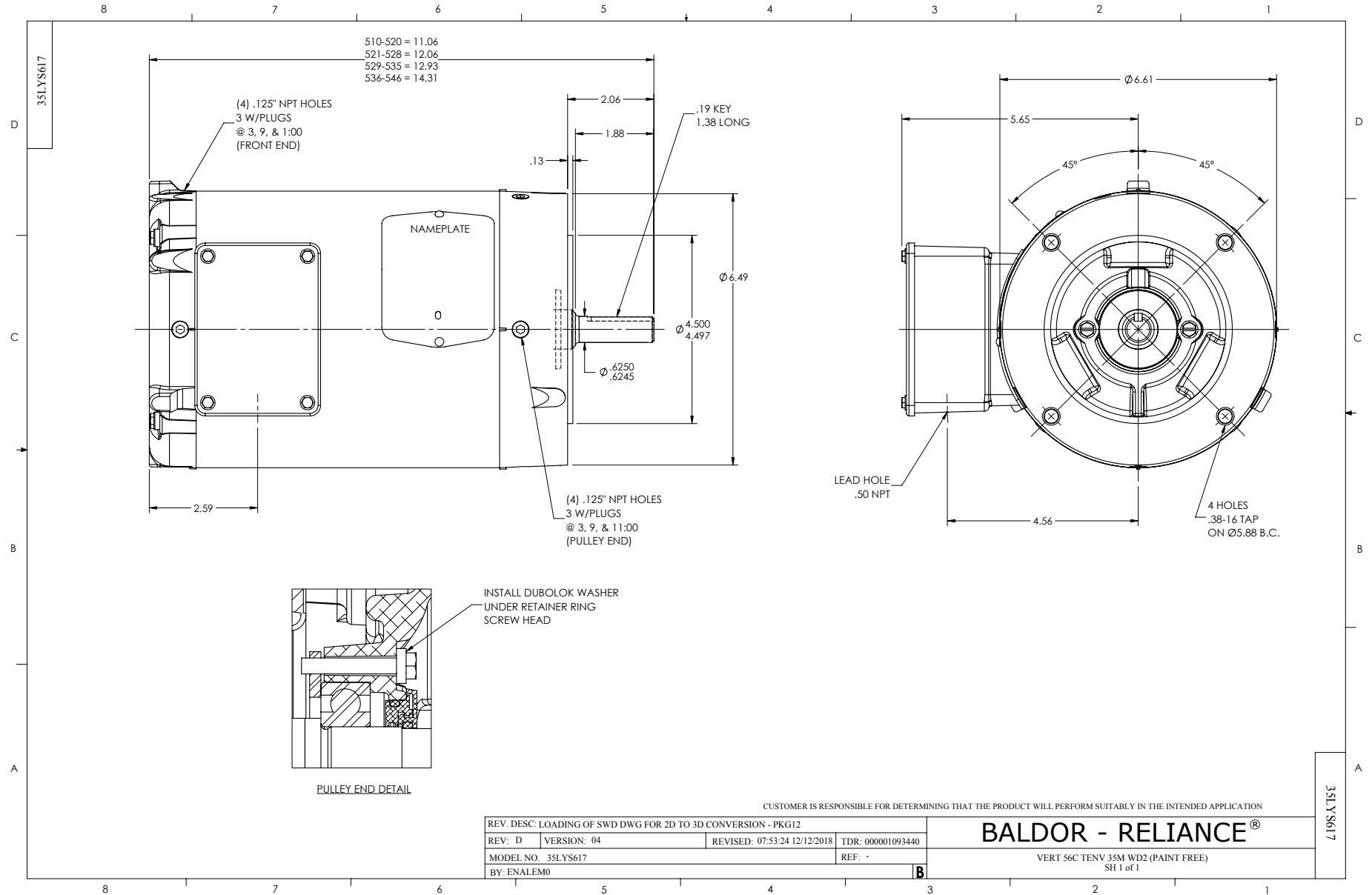
Typical performance - not guaranteed values.

1.5 HP 3 PH 60 HZ 1770 RPM 575 V 3530M

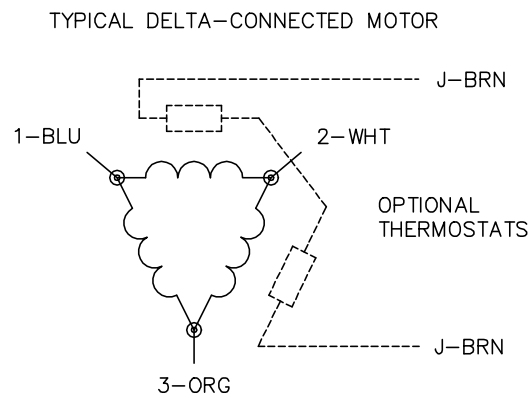
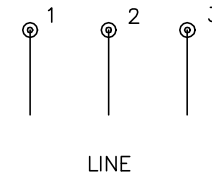
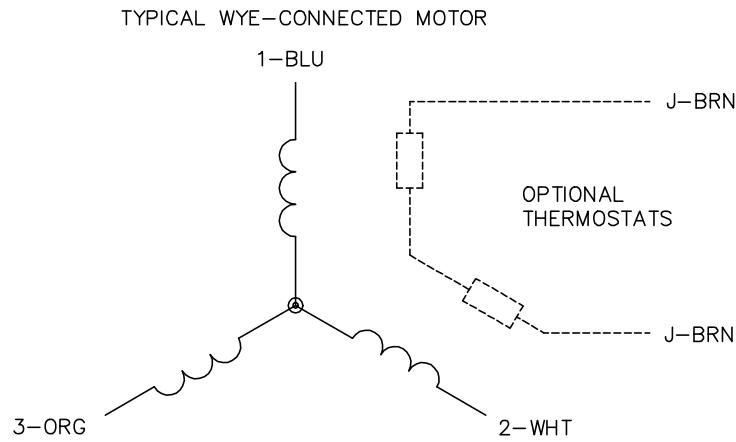
TORQUES (LB-FT): PO=20.46 PU=11.93 LR=14.47 LRA=16.59



4/23/2025 ACPERF, record # 82087



CD0006



NOTES:

1. THREE LEAD MOTOR MAY BE EITHER WYE CONNECTED OR DELTA CONNECTED.
2. INTERCHANGE ANY TWO LINE LEADS TO REVERSE ROTATION.
3. OPTIONAL THERMOSTATS ARE PROVIDED WHEN SPECIFIED.
4. ACTUAL NUMBER OF INTERNAL PARALLEL CIRCUITS MAY VARY.
5. LEAD COLORS ARE OPTIONAL. LEADS MUST BE NUMBERED AS SHOWN.

CD0006

REV. DESC: ADD CLASS CONN00000007		
REV. LTR: E	VERSION: 01	TDR: 000001099922
FILE: \AAA\00005\141	REVISED: 10:24:49 02/19/2019	BY: ENBRIRO
MTL: -		© □

**BALDOR - RELIANCE®**

3PH, SV, 3 LEADS, WYE OR DELTA CONNECTED

SH 1 of 1