



---

# Customer information packet

## VESSWDM3611T-5

3HP, 1760RPM, 3PH, 60HZ, 182TC, TEFC, F1

Class - None

Division - Not Applicable

## Specifications

Enclosure	TEFC
Frame	182TC
Frame Material	Stainless Steel
Frequency	60.00 Hz
Haz Area Class and Group	None
Haz Area Division	Not Applicable
Motor Letter Type	Three Phase
Output @ Frequency	3.000 HP @ 60 HZ
Phase	3
Synchronous Speed @ Frequency	1800 RPM @ 60 HZ
Voltage @ Frequency	575.0 V @ 60 HZ
Agency Approvals	CSA NEMA PREMIUM UR
Ambient Temperature	40 °C
Auxillary Box	No Auxillary Box
Auxillary Box Lead Termination	None
Base Indicator	No Mounting
Bearing Grease Type	Polyrex EM (-20F +300F)
Blower	None
Current @ Voltage	3.300 A @ 575.0 V
Design Code	B
Drip Cover	No Drip Cover
Duty Rating	CONT
Efficiency @ 100% Load	89.5 %
Electrically Isolated Bearing	Not Electrically Isolated
Feedback Device	NO FEEDBACK
Heater Indicator	No Heater
High Voltage Full Load Amps	3.3 a
Insulation Class	F
Inverter Code	Inverter Ready
IP Rating	IP56

## Part detail

Revision	E
Type	AC
Mech. spec.	
Base	
Status	PRD/A
Elec. spec.	36WGR066
Layout	36LYL747
Eff. date	09-29-2022
CD Diagram	CD0006
Poles	04
Leads	3#16
Proprietary	False
Created date	02-11-2019

<b>KVA Code</b>	K
<b>Lifting Lugs</b>	Standard Lifting Lugs
<b>Locked Bearing Indicator</b>	Locked Bearing
<b>Motor Lead Termination</b>	Flying Leads
<b>Motor Standards</b>	NEMA
<b>Motor Type</b>	3636M
<b>Mounting Arrangement</b>	F1
<b>Number of Poles</b>	4
<b>Overall Length</b>	18.32 IN
<b>Power Factor</b>	76
<b>Product Family</b>	Wash Down All Stainless Steel
<b>Pulley Face Code</b>	C-Face
<b>Rodent Screen</b>	None
<b>Service Factor</b>	1.15
<b>Shaft Diameter</b>	1.125 IN
<b>Shaft Ground Indicator</b>	No Shaft Grounding
<b>Shaft Rotation</b>	Reversible
<b>Speed</b>	1760 rpm
<b>Speed Code</b>	Single Speed
<b>Starting Method</b>	Direct on line
<b>Thermal Device - Winding</b>	None
<b>Vibration Sensor Indicator</b>	No Vibration Sensor
<b>Winding Thermal 1</b>	None
<b>Winding Thermal 2</b>	None

**Nameplate**

<b>NP1953B05</b>										
<b>CAT.NO.</b>	VESSWDM3611T-5									
<b>SPEC.</b>	36-0000-0014									
<b>HP</b>	3									
<b>VOLTS</b>	575									
<b>AMP</b>	3.3									
<b>RPM</b>	1760									
<b>FRAME</b>	182TC		<b>HZ</b>	60		<b>PH</b>	3			
<b>SER.F.</b>	1.15	<b>CODE</b>	K	<b>DES</b>	B	<b>CLASS</b>	F			
<b>NEMA-NOM-EFF</b>	89.5	<b>PF</b>	76							
<b>RATING</b>	40C AMB-CONT									
<b>CC</b>	010A	<b>USABLE AT 208V</b>					N/A			
<b>DE</b>	6206	<b>ODE</b>	6205							
<b>ENCL</b>	TEFC	<b>SN</b>								
	10:1CT 20:1VT									

**AC Induction Motor Performance Data**

Record # 40791

Typical performance - not guaranteed values

Winding: 36WGR066-R001		Type: 3636M		Enclosure: TEFC	
<b>Nameplate Data</b>			<b>575 V, 60 Hz: Single Voltage Motor</b>		
Rated Output (HP)		3	Full Load Torque		9.04 LB-FT
Volts		575	Start Configuration		direct on line
Full Load Amps		3.3	Breakdown Torque		34.22 LB-FT
R.P.M.		1760	Pull-up Torque		18.37 LB-FT
Hz	60 Phase	3	Locked-rotor Torque		21.56 LB-FT
NEMA Design Code	B KVA Code	K	Starting Current		26.9 A
Service Factor (S.F.)		1.15	No-load Current		1.76 A
NEMA Nom. Eff.	89.5 Power Factor	76	Line-line Res. @ 25°C		5.72 Ω
Rating - Duty		40C AMB-CONT	Temp. Rise @ Rated Load		62°C
S.F. Amps			Temp. Rise @ S.F. Load		74°C
			Locked-rotor Power Factor		41.1
			Rotor inertia		0.335 LB-FT <sup>2</sup>

**Load Characteristics 575 V, 60 Hz, 3 HP**

% of Rated Load	25	50	75	100	125	150	S.F.
Power Factor	37	57	70	76	80	83	78
Efficiency	82.6	88.1	89.6	89.7	89	88.2	89.3
Speed	1790	1781	1772	1762	1750	1737	1755
Line amperes	1.93	2.27	2.74	3.32	3.95	4.65	3.71

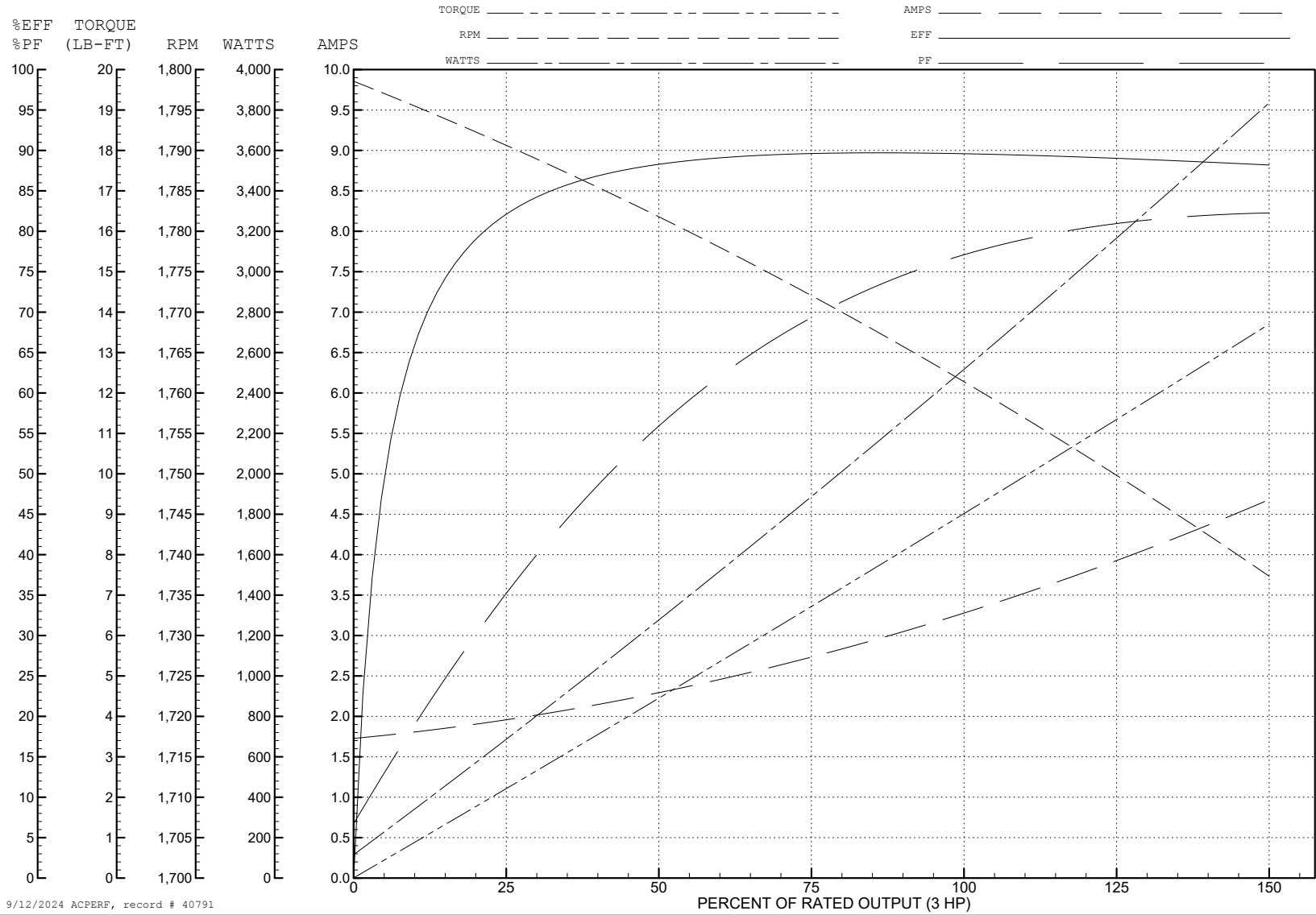
ABB Motors and Mechanical Inc.

WINDING # 36WGR066

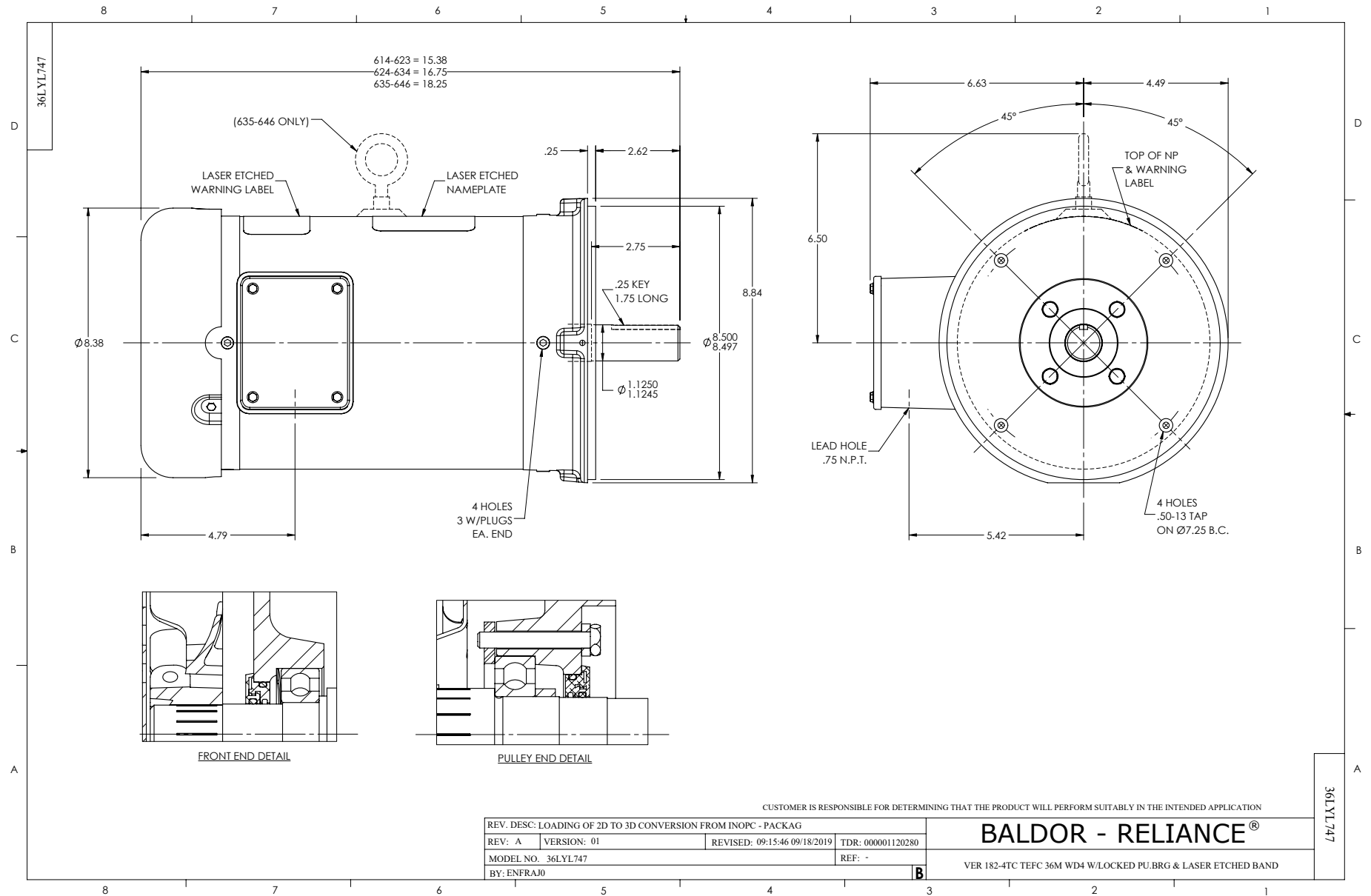
Typical performance - not guaranteed values.

3 HP 3 PH 60 HZ 1760 RPM 575 V 3636M

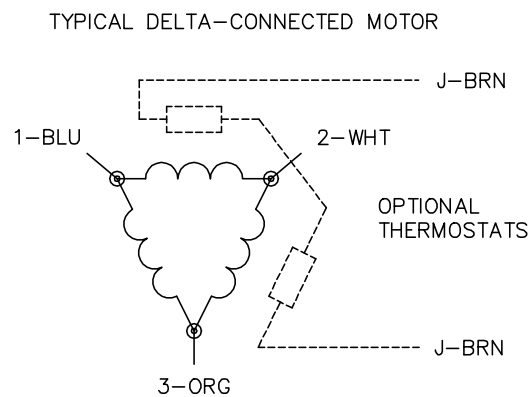
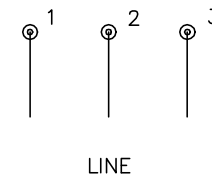
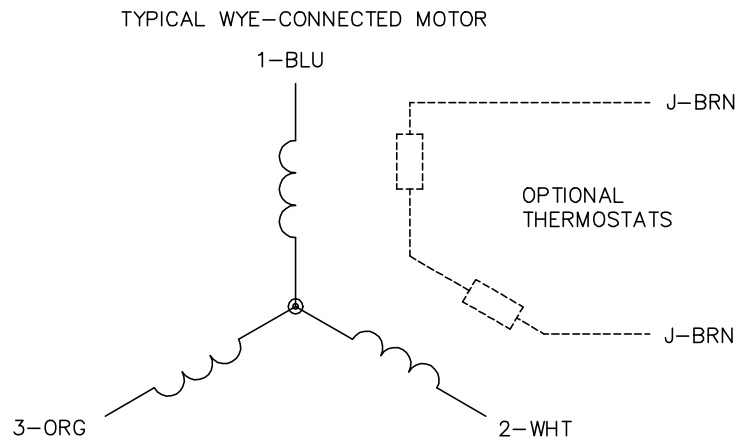
TORQUES (LB-FT): PO=34.22 PU=18.37 LR=21.56 LRA=26.9



9/12/2024 ACPERF, record # 40791



CD0006



NOTES:

1. THREE LEAD MOTOR MAY BE EITHER WYE CONNECTED OR DELTA CONNECTED.
2. INTERCHANGE ANY TWO LINE LEADS TO REVERSE ROTATION.
3. OPTIONAL THERMOSTATS ARE PROVIDED WHEN SPECIFIED.
4. ACTUAL NUMBER OF INTERNAL PARALLEL CIRCUITS MAY VARY.
5. LEAD COLORS ARE OPTIONAL. LEADS MUST BE NUMBERED AS SHOWN.

CD0006

REV. DESC: ADD CLASS CONN00000007		
REV. LTR: E	VERSION: 01	TDR: 000001099922
FILE: \AAA\00005\141	REVISED: 10:24:49 02/19/2019	BY: ENBRIRO
MTL: -	© □	

**BALDOR - RELIANCE®**

3PH, SV, 3 LEADS, WYE OR DELTA CONNECTED

SH 1 of 1