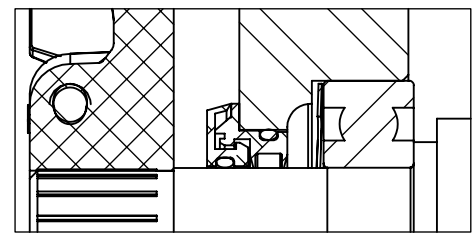
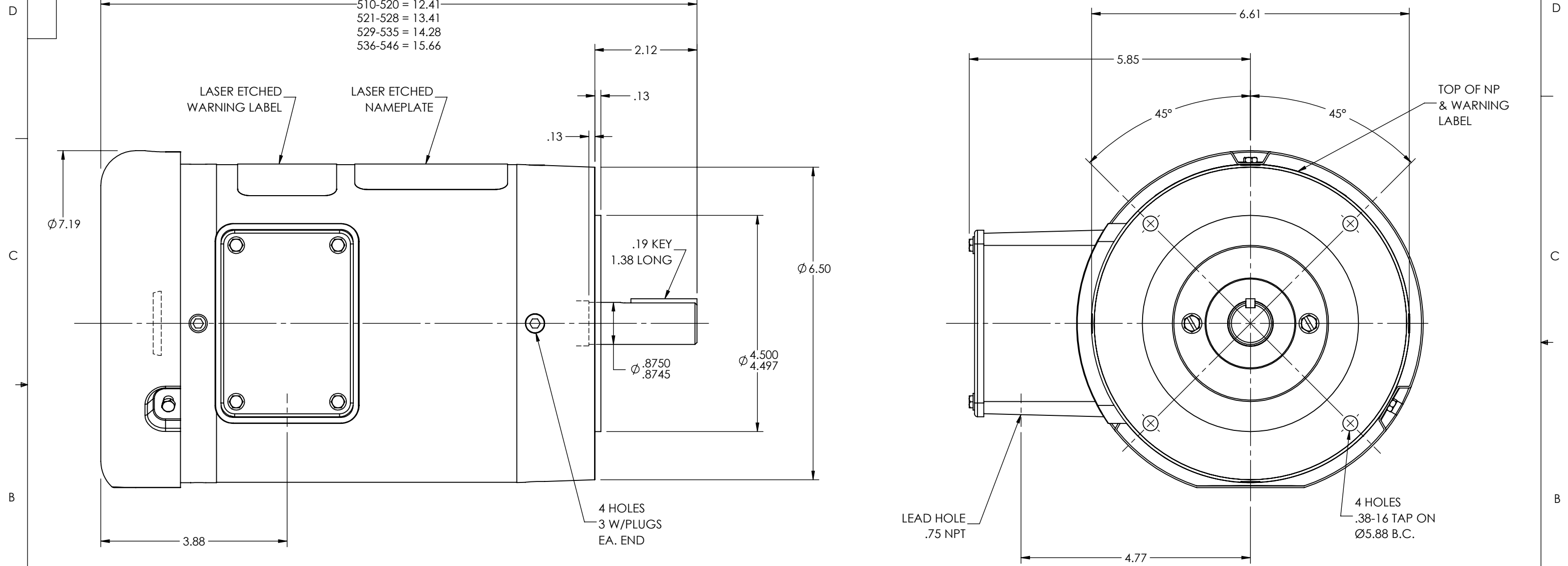
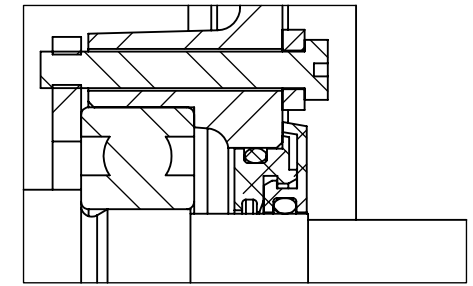


8 7 6 5 4 3 2 1

35LYVV821



FRONT END DETAIL



PULLEY END DETAIL

CUSTOMER IS RESPONSIBLE FOR DETERMINING THAT THE PRODUCT WILL PERFORM SUITABLY IN THE INTENDED APPLICATION

REV. DESC: UPDATE 3D MODEL BOM PER REV G, NO CHG TO 2D PRINT			
REV: C	VERSION: 03	REVISED: 08:25:51 03/28/2022	TDR: 000001187751
MODEL NO. 35LYVV821		REF: -	
BY: USBUFRA		<b>B</b>	

**BALDOR - RELIANCE®**

VERT 143-5TC TEFC 35M WD4 W/.75 NPT LEAD HOLE  
 SH 1 of 1

8 7 6 5 4 3 2 1

35LYVV821