

BALDOR • RELIANCE

Customer information packet

VEM4108T

30HP, 3520RPM, 3PH, 60HZ, 286TSC, 0950M, TEFC

Class - None

Division - Not Applicable

Specifications

Enclosure	TEFC
Frame	286TSC
Frame Material	Iron
Frequency	60.00 Hz
Haz Area Class and Group	None
Haz Area Division	Not Applicable
Motor Letter Type	Three Phase
Output @ Frequency	30.000 HP @ 60 HZ
Phase	3
Synchronous Speed @ Frequency	3600 RPM @ 60 HZ
Voltage @ Frequency	460.0 V @ 60 HZ 230.0 V @ 60 HZ
Agency Approvals	CURUSEEV NEMA PREMIUM NEMA PREMIUM (OLD LOGO)
Ambient Temperature	40 °C
Auxiliary Box	NO AUXILLARY BOX
Auxiliary Box Lead Termination	None
Base Indicator	No Mounting
Bearing Grease Type	Polyrex EM (-20F +300F)
Blower	None
Current @ Voltage	68.000 A @ 230.0 V 74.000 A @ 208.0 V 34.000 A @ 460.0 V
Design Code	A
Drip Cover	No Drip Cover
Duty Rating	CONT
Efficiency @ 100% Load	91.7 %
Electrically Isolated Bearing	Not Electrically Isolated
Feedback Device	NO FEEDBACK
Front Face Code	Standard
Front Shaft Indicator	None

Part detail

Revision	P
Type	AC
Mech. spec.	09F909
Base	
Status	PRD/A
Elec. spec.	09WGT474
Layout	09LYF909
Eff. date	06-27-2024
CD Diagram	CD0180
Poles	02
Leads	9#10
Proprietary	False
Created date	11-09-2017

Heater Indicator	No Heater
High Voltage Full Load Amps	34.0 a
Insulation Class	F
Inverter Code	Inverter Ready
KVA Code	J
Lifting Lugs	Standard Lifting Lugs
Locked Bearing Indicator	Locked Bearing
Motor Lead Exit	Ko Box
Motor Lead Quantity/Wire Size	9 @ 10 AWG
Motor Lead Termination	Flying Leads
Motor Standards	NEMA
Motor Type	0950M
Mounting Arrangement	F1
Number of Poles	2
Overall Length	22.45 IN
Power Factor	89
Product Family	General Purpose
Pulley End Bearing Type	Ball
Pulley Face Code	C-Face
Pulley Shaft Indicator	Standard
Rodent Screen	None
Service Factor	1.15
Shaft Diameter	1.625 IN
Shaft Extension Location	Pulley End
Shaft Ground Indicator	No Shaft Grounding
Shaft Rotation	Reversible
Shaft Slinger Indicator	Shaft Slinger
Speed	3520 rpm
Speed Code	Single Speed
Starting Method	Direct on line
Thermal Device - Bearing	None
Thermal Device - Winding	None
Vibration Sensor Indicator	No Vibration Sensor
Winding Thermal 1	None

Winding Thermal 2

None

Nameplate

NP3443LUA

CAT.NO.	VEM4108T			CUST. P/N				ENCL	TEFC
SPEC.	09F909T474G1	CC	010A	FRAME	286TSC		SER.NO.		
HP	30		CLASS	F		HZ	60		
R.P.M.	3520		PH.	3		DES.	A		
VOLTS	230/460			CODE	J	ODE BRG	6208	DE BRG	6311
AMPS	68/34								
RATING	40C AMB-CONT			NEMA NOM. EFF.	91.7		GREASE	POLYREX EM	
P.F.	89	SER.F.	1.15						CT6-60H(10:1)VT3-60H(20:1)
USABLE AT	50Hz 30HP 190/380V 82/41A				1.0SF				
VOLTS		AMPS				MAX. SPACE HEATER TEMP.			

AC Induction Motor Performance Data

Record # 67631

Typical performance - not guaranteed values

Winding: 09WGT474-R001		Type: 0950M		Enclosure: TEFC	
Nameplate Data			460 V, 60 Hz: High Voltage Connection		
Rated Output (HP)	30	Full Load Torque	44.65 LB-FT		
Volts	230/460	Start Configuration	direct on line		
Full Load Amps	68/34	Breakdown Torque	173 LB-FT		
R.P.M.	3520	Pull-up Torque	87.6 LB-FT		
Hz	60 Phase	3	Locked-rotor Torque	104 LB-FT	
NEMA Design Code	A KVA Code	J	Starting Current	283 A	
Service Factor (S.F.)		1.15	No-load Current	10.9 A	
NEMA Nom. Eff.	91.7 Power Factor	90	Line-line Res. @ 25°C	0.2527 Ω	
Rating - Duty	40C AMB-CONT		Temp. Rise @ Rated Load	79°C	
S.F. Amps			Temp. Rise @ S.F. Load	97°C	
			Locked-rotor Power Factor	28	

Load Characteristics 460 V, 60 Hz, 30 HP

% of Rated Load	25	50	75	100	125	150	S.F.
Power Factor	58	78	86	89	90	91	90
Efficiency	87.7	91.8	92.4	92.1	91.3	90.2	91.6
Speed	3580.7	3562.2	3542.3	3521	3497.7	3471	3507
Line amperes	13.7	19.4	26.4	34.2	42.4	51.3	39.1

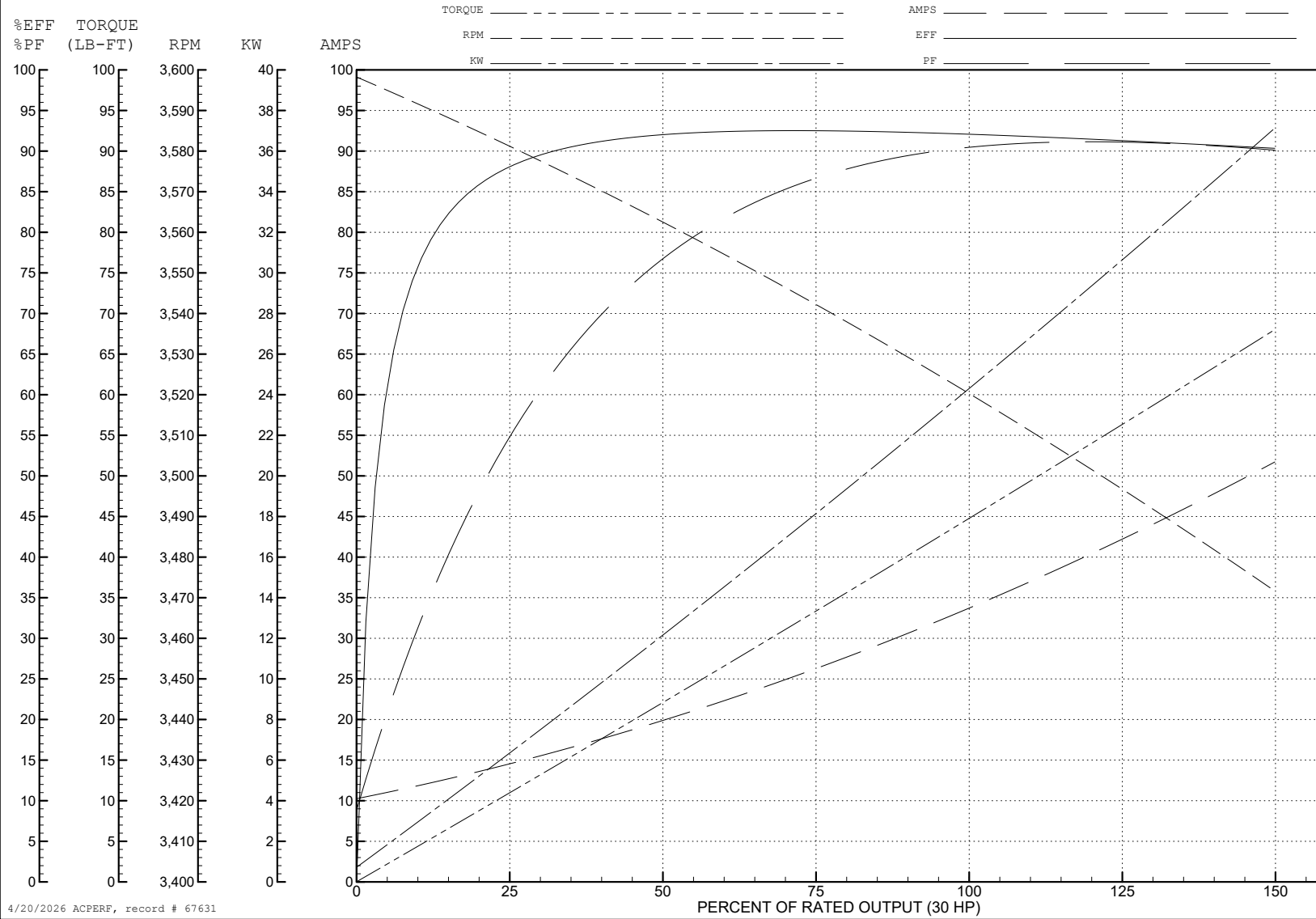
ABB Motors and Mechanical Inc.

WINDING # 09WGT474

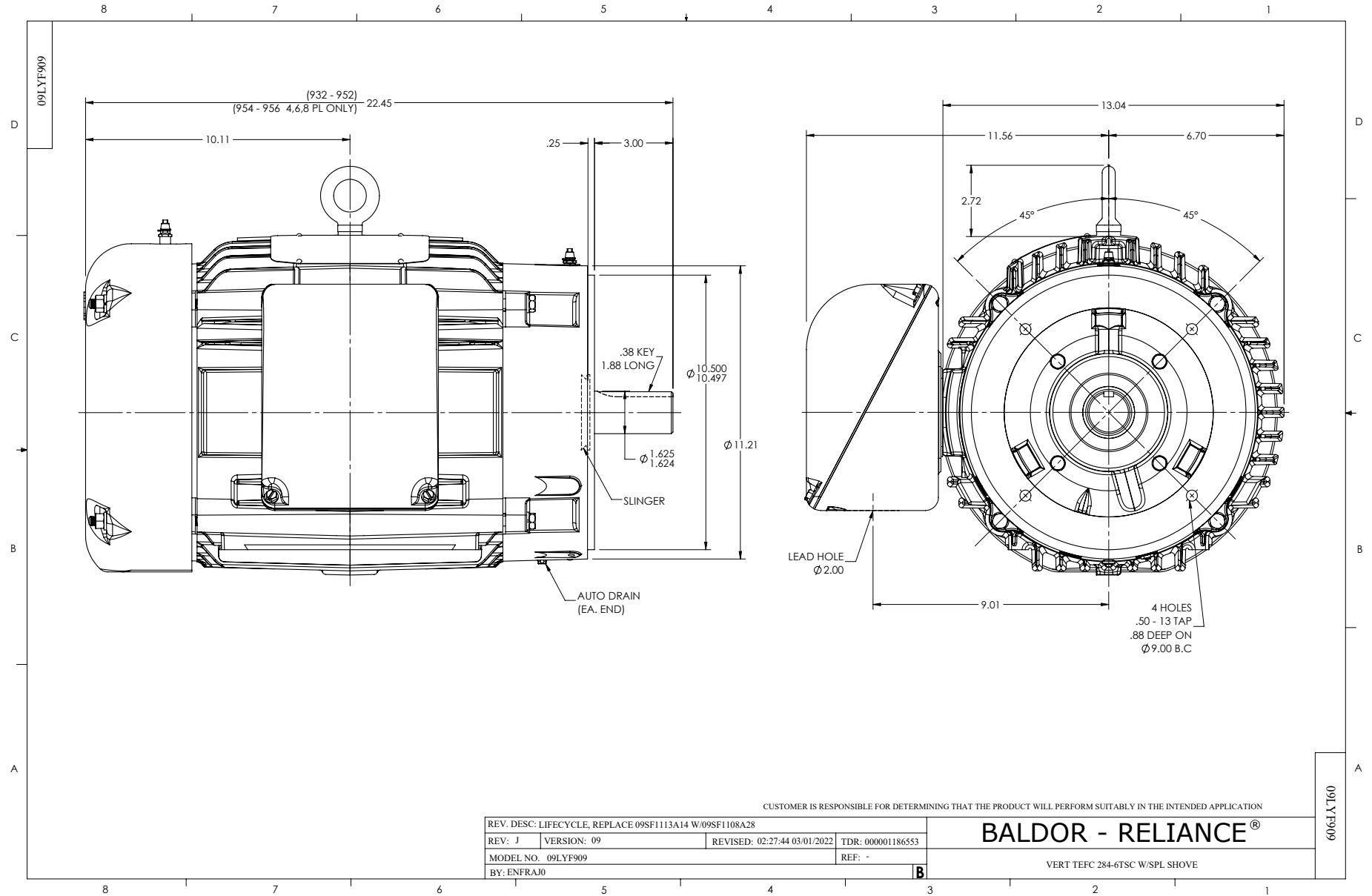
Typical performance - not guaranteed values.

30 HP 3 PH 60 HZ 3520 RPM 460 V 0950M

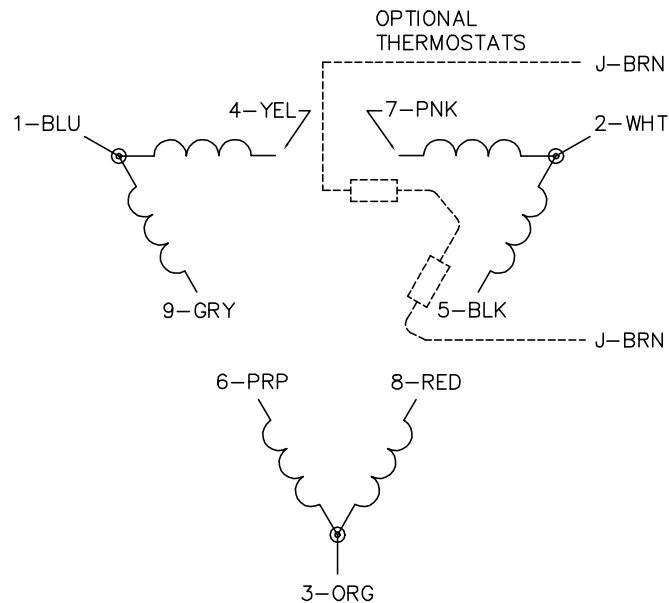
TORQUES (LB-FT): PO=173 PU=87.6 LR=104 LRA=283



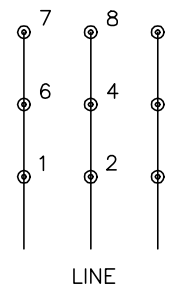
4/20/2026 ACPERF, record # 67631



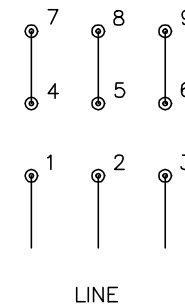
CD0180



LOW VOLTAGE
(2D)



HIGH VOLTAGE
(1D)



NOTES:

1. INTERCHANGE ANY TWO LINE LEADS TO REVERSE ROTATION.
2. OPTIONAL THERMOSTATS ARE PROVIDED WHEN SPECIFIED.
3. ACTUAL NUMBER OF INTERNAL PARALLEL CIRCUITS MAY BE A MULTIPLE OF THOSE SHOWN ABOVE.
4. LEAD COLORS ARE OPTIONAL. LEADS MUST ALWAYS BE NUMBERED AS SHOWN.

CD0180

REV. DESC: ADD CLASS CONN00000007		
REV. LTR: D	VERSION: 01	TDR: 000001099922
FILE: \AAA\00005\148	REVISED: 10: 25: 29 02/19/2019	BY: ENBRIRO
MTL: -	© □	

BALDOR - RELIANCE®

3PH, DV, 9 LEADS, DELTA CONNECTION

SH 1 of 1