

BALDOR • RELIANCE

Customer information packet

VEM3584T

1.5HP, 1760RPM, 3PH, 60HZ, 145TC, 0524M, TEFC

Class - None

Division - Not Applicable

Specifications

Enclosure	TEFC
Frame	145TC
Frame Material	Iron
Frequency	60.00 Hz
Haz Area Class and Group	None
Haz Area Division	Not Applicable
Motor Letter Type	Three Phase
Output @ Frequency	1.500 HP @ 60 HZ
Phase	3
Synchronous Speed @ Frequency	1800 RPM @ 60 HZ
Voltage @ Frequency	230.0 V @ 60 HZ 460.0 V @ 60 HZ
Agency Approvals	CSA EEV NEMA PREMIUM NEMA_PREMIUM UR
Ambient Temperature	40 °C
Auxillary Box	No Auxillary Box
Auxillary Box Lead Termination	None
Base Indicator	No Mounting
Bearing Grease Type	Polyrex EM (-20F +300F)
Blower	None
Current @ Voltage	4.640 A @ 208.0 V 4.600 A @ 230.0 V 2.300 A @ 460.0 V
Design Code	B
Drip Cover	No Drip Cover
Duty Rating	CONT
Efficiency @ 100% Load	86.5 %
Electrically Isolated Bearing	Not Electrically Isolated
Feedback Device	NO FEEDBACK
Front Shaft Indicator	None

Part detail

Revision	D
Type	AC
Mech. spec.	05C053
Base	
Status	PRD/A
Elec. spec.	05WGX510
Layout	05LYC053
Eff. date	04-29-2024
CD Diagram	CD0005
Poles	04
Leads	9#18
Proprietary	False
Created date	03-11-2022

Heater Indicator	No Heater
High Voltage Full Load Amps	2.3 a
Insulation Class	F
Inverter Code	Inverter Ready
KVA Code	M
Lifting Lugs	No Lifting Lugs
Locked Bearing Indicator	Locked Bearing
Motor Lead Quantity/Wire Size	9 @ 18 AWG
Motor Lead Termination	Flying Leads
Motor Standards	NEMA
Motor Type	0524M
Mounting Arrangement	F1
Number of Poles	4
Overall Length	13.03 IN
Power Factor	72
Product Family	General Purpose
Pulley End Bearing Type	Ball
Pulley Face Code	C-Face
Pulley Shaft Indicator	Standard
Rodent Screen	None
Service Factor	1.15
Shaft Diameter	0.875 IN
Shaft Ground Indicator	No Shaft Grounding
Shaft Rotation	Reversible
Shaft Slinger Indicator	No Slinger
Speed	1770 rpm
Speed Code	Single Speed
Starting Method	Direct on line
Thermal Device - Bearing	None
Thermal Device - Winding	None
Vibration Sensor Indicator	No Vibration Sensor
Winding Thermal 1	None
Winding Thermal 2	None

Nameplate

NP3441LUA

CAT.NO.	VEM3584T						
SPEC	05C053X510G1						
HP	1.5						
VOLTS	230/460						
AMPS	4.34/2.17						
RPM	1760						
FRAME	145TC		HZ	60		PH	3
SF	1.15	CODE	L	DES	B	CLASS	F
NEMA NOM. EFF	86.5	PF	75				
RATING	40C AMB-CONT						
CC	010A						
ENCL	TEFC	SER					
DE	6205	ODE	6203				
VPWM INVERTER READY	SFA 4.8/2.4						
CT6-60H(10:1)VT3-60H(20:1)	1.5HP 190/380V 50HZ 5.2/2.6A						SF1.0

AC Induction Motor Performance Data

Record # 95408

Typical performance - not guaranteed values

Winding: 05WGX510-R001		Type: 0524M	Enclosure: TEFC	
Nameplate Data			460 V, 60 Hz: High Voltage Connection	
Rated Output (HP)	1.5	Full Load Torque	4.48 LB-FT	
Volts	230/460	Start Configuration	direct on line	
Full Load Amps	4.6/2.3	Breakdown Torque	18.8 LB-FT	
R.P.M.	1770	Pull-up Torque	9.6 LB-FT	
Hz	60 Phase	3	Locked-rotor Torque	12.6 LB-FT
NEMA Design Code	B KVA Code	M	Starting Current	19.7 A
Service Factor (S.F.)	1.15	No-load Current	1.51 A	
NEMA Nom. Eff.	86.5 Power Factor	72	Line-line Res. @ 25°C	11.8 Ω
Rating - Duty	40C AMB-CONT	Temp. Rise @ Rated Load	48°C	
S.F. Amps	5/2.5	Temp. Rise @ S.F. Load	57°C	
		Locked-rotor Power Factor	58.4	
		Rotor inertia	0.173 lb-ft ²	

Load Characteristics 460 V, 60 Hz, 1.5 HP

% of Rated Load	25	50	75	100	125	150	S.F.
Power Factor	31	49	63	72	78	81	76
Efficiency	75.1	83.5	86	86.5	85.8	84.8	86.1
Speed	1792	1785	1777	1769	1760	1750	1764
Line amperes	1.56	1.72	1.97	2.28	2.65	3.06	2.5

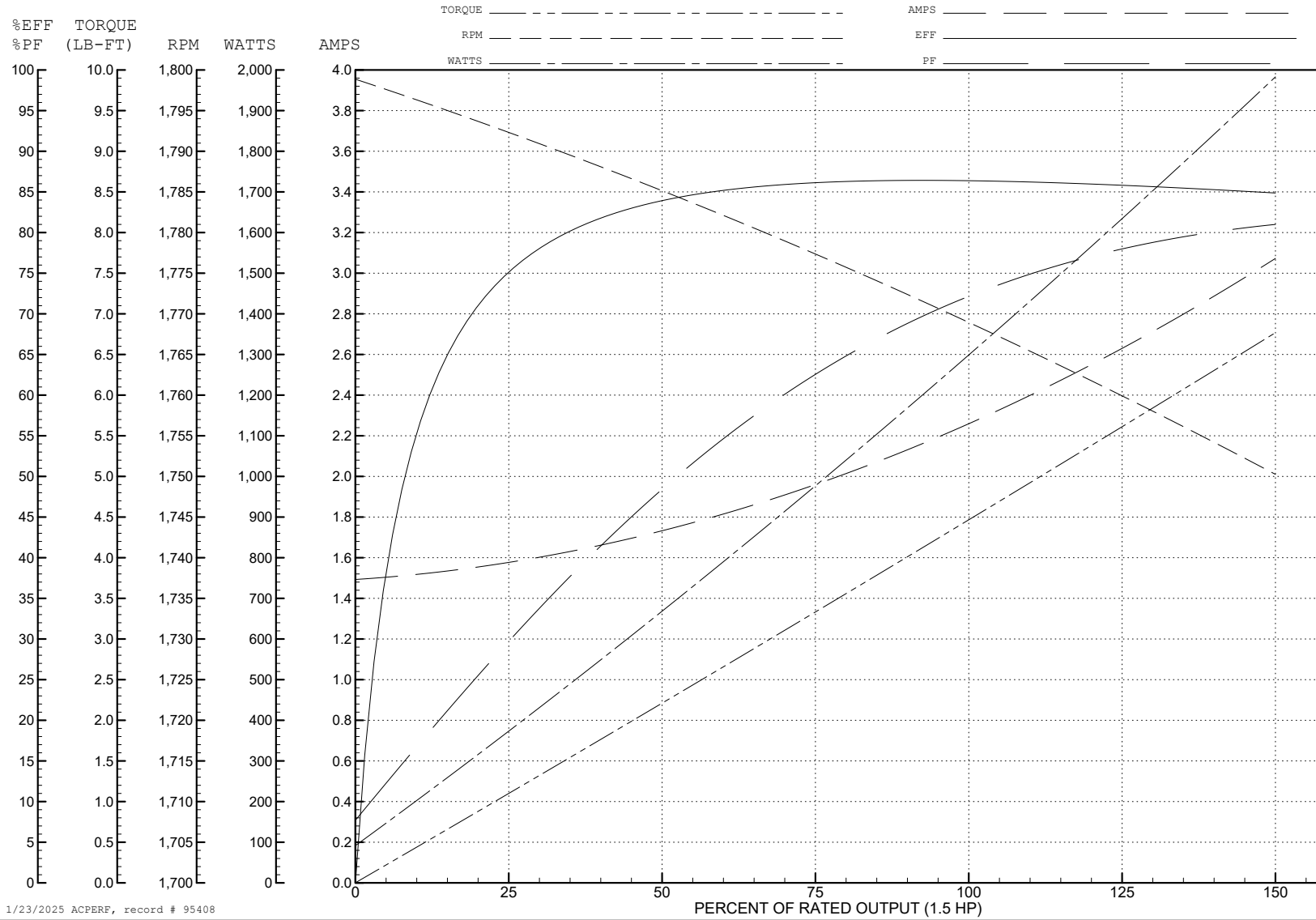
ABB Motors and Mechanical Inc.

WINDING # 05WGX510

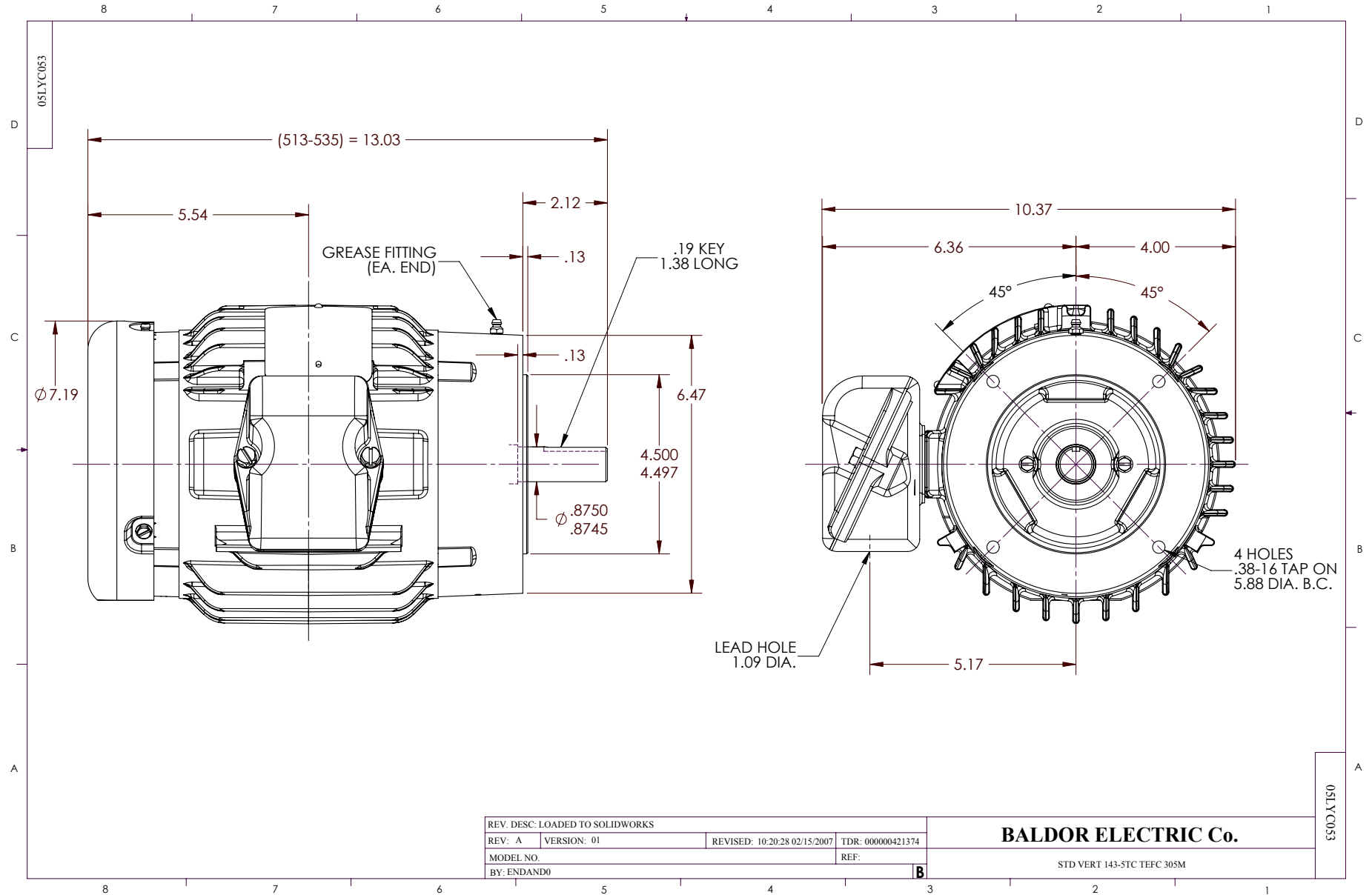
Typical performance - not guaranteed values.

1.5 HP 3 PH 60 HZ 1770 RPM 460 V 0524M

TORQUES (LB-FT): PO=18.8 PU=9.6 LR=12.6 LRA=19.7



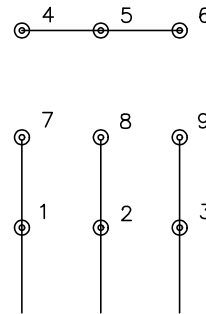
1/23/2025 ACPERF, record # 95408



CD0005

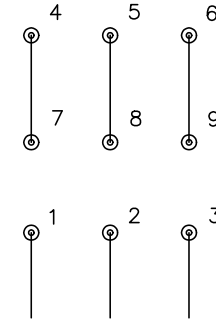


LOW VOLTAGE
(2Y)



LINE

HIGH VOLTAGE
(1Y)



LINE

NOTES:

1. INTERCHANGE ANY TWO LINE LEADS TO REVERSE ROTATION.
2. OPTIONAL THERMOSTATS ARE PROVIDED WHEN SPECIFIED.
3. ACTUAL NUMBER OF INTERNAL PARALLEL CIRCUITS MAY BE A MULTIPLE OF THOSE SHOWN ABOVE.
4. LEAD COLORS ARE OPTIONAL. LEADS MUST ALWAYS BE NUMBERED AS SHOWN.

CD0005

REV. DESC: REVISE TO SHOW OPTIONAL COLORS			
REV. LTR: E	BY: JLP	REVISED: 01/19/99 10:15	TDR: 0171435
S00000		FILE: AAA00005140	MDL: -
		MTL: -	

BALDOR ELECTRIC Co.

3PH, DV, 9 LEADS