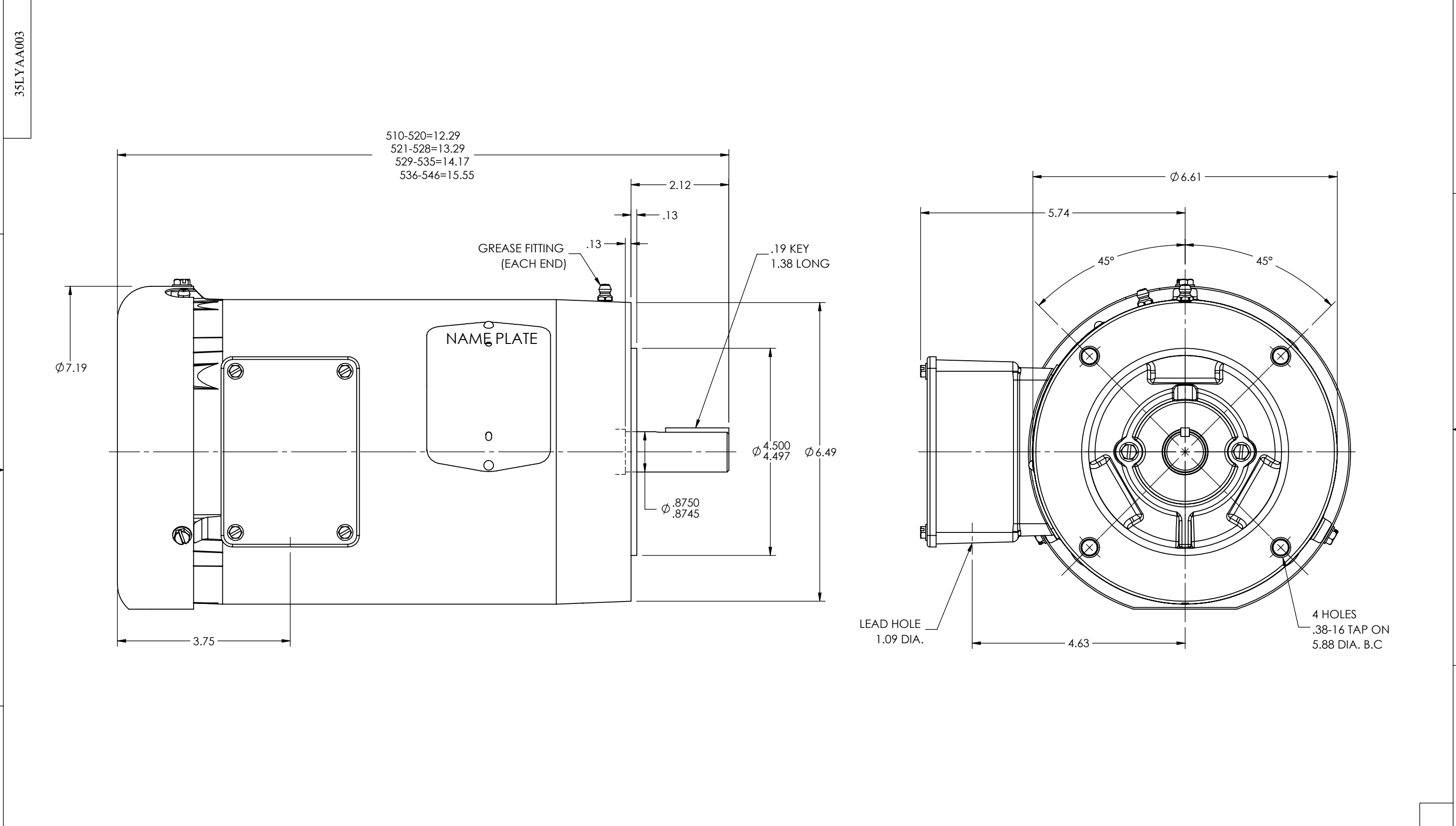


8 7 6 5 4 3 2 1



D
C
B
A

D
C
B
A

CUSTOMER IS RESPONSIBLE FOR DETERMINING THAT THE PRODUCT WILL PERFORM SUITABLY IN THE INTENDED APPLICATION

| | | | |
|--|-------------|------------------------------|-------------------|
| REV. DESC: UPDATE 3D MODEL BOM PER REV F, NO CHG TO 2D PRINT | | | |
| REV: C | VERSION: 03 | REVISED: 02:05:15 03/29/2022 | TDR: 000001188385 |
| MODEL NO. 35LYAA003 | | | REF: - |
| BY: USBUFRA | | | B |

BALDOR - RELIANCE®

STD VERT 143-5TC TEFC 35M

8 7 6 5 4 3 2 1

35LYAA003