



Customer information packet

VEM3550-5

1.5HP, 3500RPM, 3PH, 60HZ, 56C, 3520M, TEFC, F1

Class - None

Division - Not Applicable

Specifications

Enclosure	TEFC
Frame	56C
Frame Material	Steel
Frequency	60.00 Hz
Haz Area Class and Group	None
Haz Area Division	Not Applicable
Motor Letter Type	Three Phase
Output @ Frequency	1.500 HP @ 60 HZ
Phase	3
Synchronous Speed @ Frequency	3600 RPM @ 60 HZ
Voltage @ Frequency	575.0 V @ 60 HZ
Agency Approvals	CSA EEV NEMA PREMIUM NEMA_PREMIUM UR
Ambient Temperature	40 °C
Auxillary Box	No Auxillary Box
Auxillary Box Lead Termination	None
Base Indicator	No Mounting
Bearing Grease Type	Polyrex EM (-20F +300F)
Blower	None
Current @ Voltage	1.500 A @ 575.0 V
Design Code	B
Drip Cover	No Drip Cover
Duty Rating	CONT
Efficiency @ 100% Load	84.0 %
Electrically Isolated Bearing	Not Electrically Isolated
Feedback Device	NO FEEDBACK
Front Face Code	Standard
Front Shaft Indicator	None
Heater Indicator	No Heater
High Voltage Full Load Amps	1.5 a

Part detail

Revision	R
Type	AC
Mech. spec.	35A013
Base	
Status	PRD/A
Elec. spec.	35WGM784
Layout	35LYA013
Eff. date	04-29-2024
CD Diagram	CD0006
Poles	02
Leads	3#18
Proprietary	False
Created date	08-03-2015

Insulation Class	F
Inverter Code	Inverter Ready
KVA Code	L
Lifting Lugs	No Lifting Lugs
Locked Bearing Indicator	Locked Bearing
Motor Lead Exit	Ko Box
Motor Lead Quantity/Wire Size	3 @ 18 AWG
Motor Lead Termination	Flying Leads
Motor Standards	NEMA
Motor Type	3520M
Mounting Arrangement	F1
Number of Poles	2
Overall Length	12.23 IN
Power Factor	85
Product Family	General Purpose
Pulley End Bearing Type	Ball
Pulley Face Code	C-Face
Pulley Shaft Indicator	Standard
Rodent Screen	None
RoHS Status	ROHS COMPLIANT
Service Factor	1.15
Shaft Diameter	0.625 IN
Shaft Extension Location	Pulley End
Shaft Ground Indicator	No Shaft Grounding
Shaft Rotation	Reversible
Shaft Slinger Indicator	No Slinger
Speed	3500 rpm
Speed Code	Single Speed
Starting Method	Direct on line
Thermal Device - Bearing	None
Thermal Device - Winding	None
Vibration Sensor Indicator	No Vibration Sensor
Winding Thermal 1	None
Winding Thermal 2	None

Nameplate**NP3441L**

CAT.NO.	VEM3550-5						
SPEC.	35A013M784G1						
HP	1.5						
VOLTS	575						
AMP	1.5						
RPM	3500						
FRAME	56C		HZ	60		PH	3
SER.F.	1.15	CODE	L	DES	B	CL	F
NEMA-NOM-EFF	84	PF	85				
RATING	40C AMB-CONT						
CC	010A						
DE	6205		ODE	6203			
ENCL	TEFC	SN					

VPWM INVERTER READY**CT6-60H(10:1)VT3-60H(20:1)**

AC Induction Motor Performance Data

Record # 31306

Typical performance - not guaranteed values

Winding: 35WGM784-R001		Type: 3520M		Enclosure: TEFC	
Nameplate Data			575 V, 60 Hz: Single Voltage Motor		
Rated Output (HP)	1.5	Full Load Torque	2.22 LB-FT		
Volts	575	Start Configuration	direct on line		
Full Load Amps	1.5	Breakdown Torque	9.55 LB-FT		
R.P.M.	3500	Pull-up Torque	3.64 LB-FT		
Hz	60	Locked-rotor Torque	7.41 LB-FT		
NEMA Design Code	B	Starting Current	14.5 A		
Service Factor (S.F.)	1.15	No-load Current	0.763 A		
NEMA Nom. Eff.	84	Line-line Res. @ 25°C	19.2 Ω		
Rating - Duty	40C	Temp. Rise @ Rated Load	43°C		
S.F. Amps	AMB-CONT	Temp. Rise @ S.F. Load	51°C		
		Locked-rotor Power Factor	61		
		Rotor inertia	0.0553 LB-FT ²		

Load Characteristics 575 V, 60 Hz, 1.5 HP

% of Rated Load	25	50	75	100	125	150	S.F.
Power Factor	44	66	78	85	89	90	87
Efficiency	72.1	82.1	84.3	84.7	84.3	82.8	84.5
Speed	3575	3552	3527	3499	3468	3434	3480
Line amperes	0.839	1.01	1.25	1.54	1.85	2.24	1.73

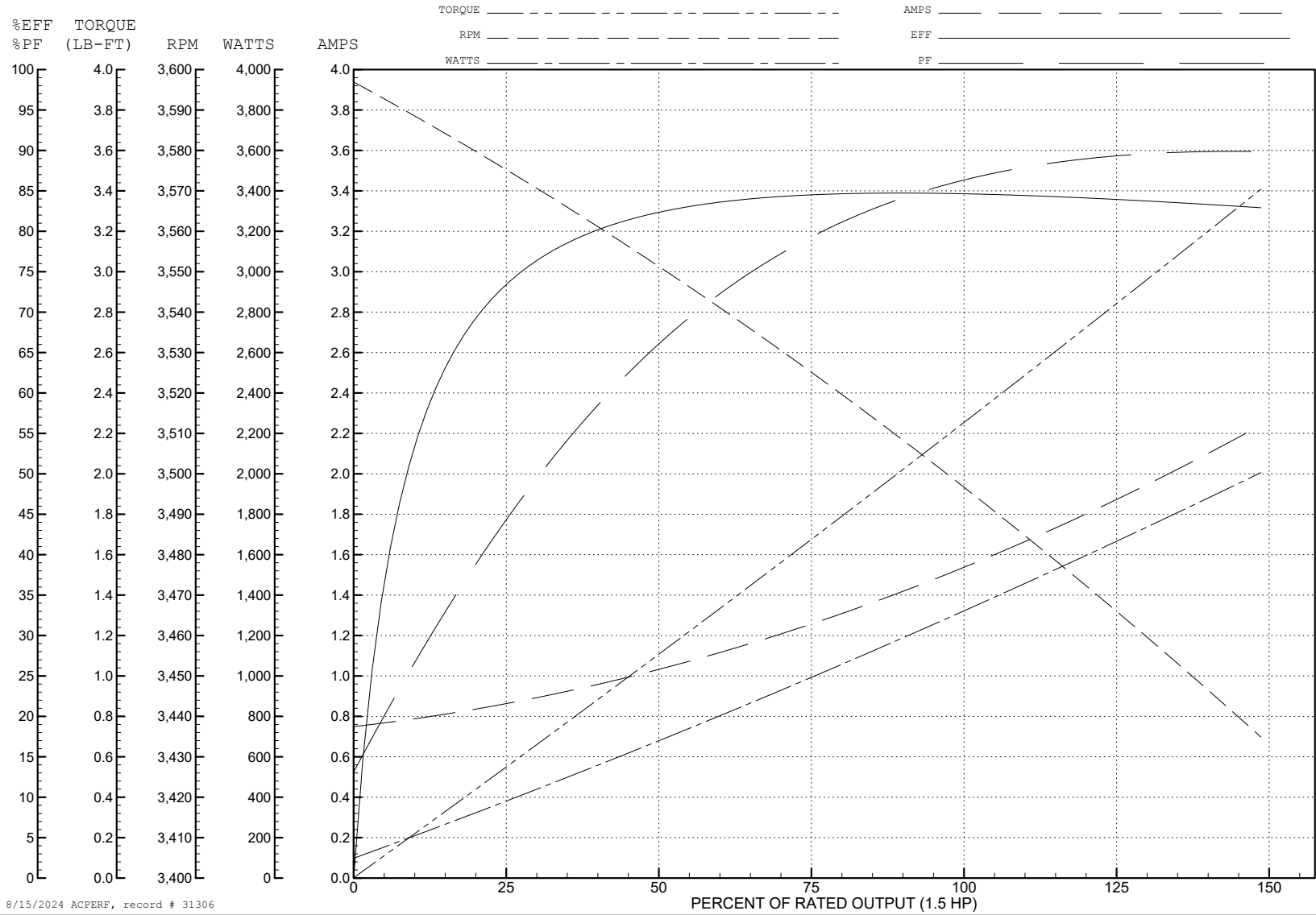
ABB Motors and Mechanical Inc.

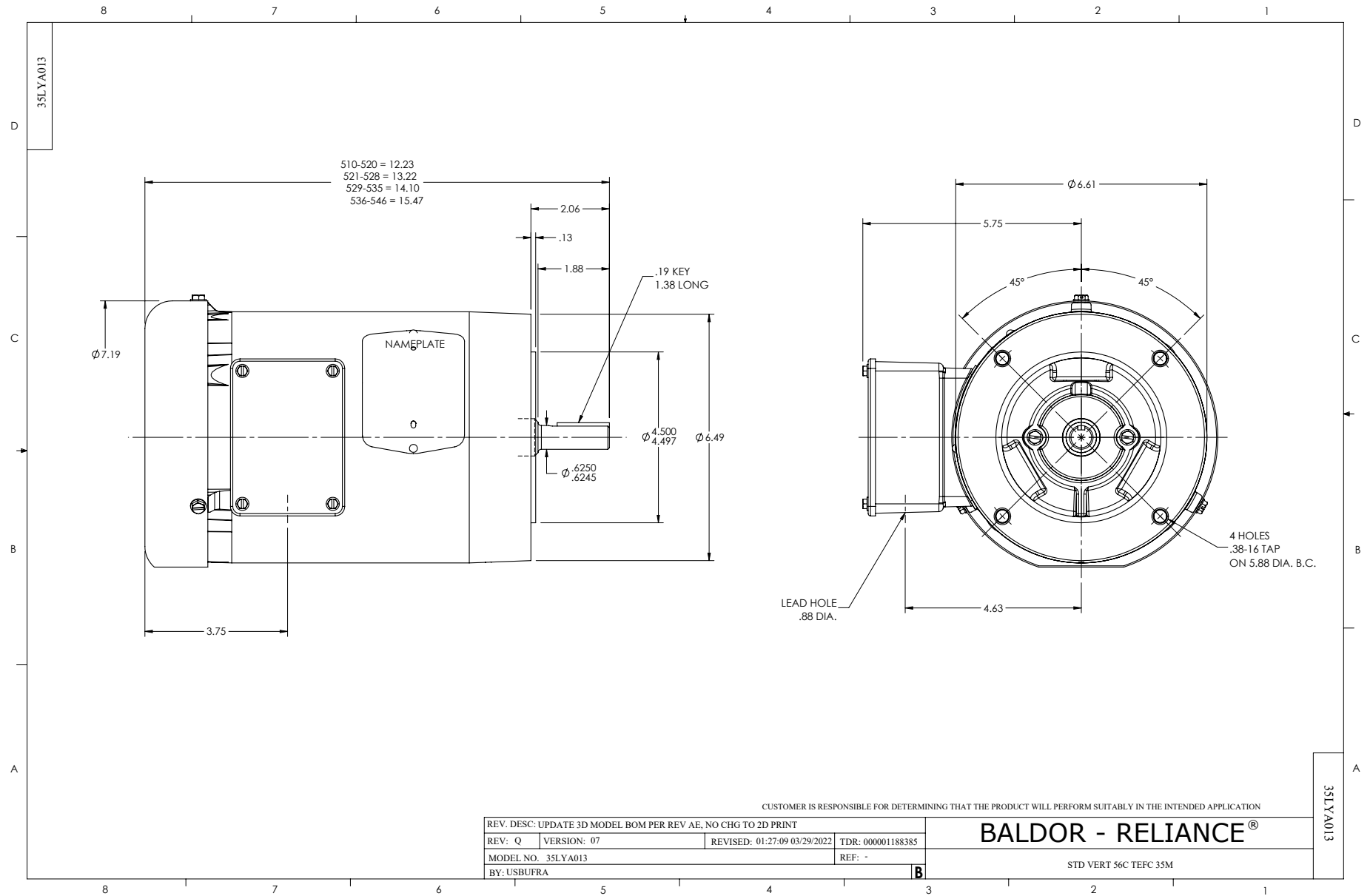
WINDING # 35WGM784

Typical performance - not guaranteed values.

1.5 HP 3 PH 60 HZ 3500 RPM 575 V 3520M

TORQUES (LB-FT): PO=9.55 PU=3.64 LR=7.41 LRA=14.5





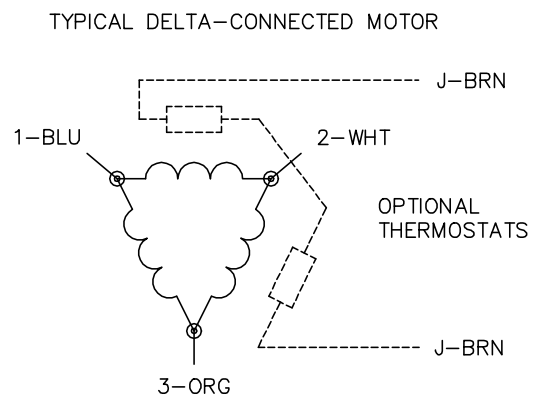
CUSTOMER IS RESPONSIBLE FOR DETERMINING THAT THE PRODUCT WILL PERFORM SUITABLY IN THE INTENDED APPLICATION

REV. DESC: UPDATE 3D MODEL BOM PER REV AE, NO CHG TO 2D PRINT			
REV: Q	VERSION: 07	REVISED: 01:27:09 03/29/2022	TDR: 000001188385
MODEL NO. 35LYA013		REF: -	
BY: USBUFRA			

BALDOR - RELIANCE®

STD VERT 56C TEFC 35M

CD0006



NOTES:

1. THREE LEAD MOTOR MAY BE EITHER WYE CONNECTED OR DELTA CONNECTED.
2. INTERCHANGE ANY TWO LINE LEADS TO REVERSE ROTATION.
3. OPTIONAL THERMOSTATS ARE PROVIDED WHEN SPECIFIED.
4. ACTUAL NUMBER OF INTERNAL PARALLEL CIRCUITS MAY VARY.
5. LEAD COLORS ARE OPTIONAL. LEADS MUST BE NUMBERED AS SHOWN.

CD0006

REV. DESC: ADD CLASS CONN00000007		
REV. LTR: E	VERSION: 01	TDR: 000001099922
FILE: \AAA\00005\141	REVISED: 10:24:49 02/19/2019	BY: ENBRIRO
MTL: -	© □	

BALDOR - RELIANCE®

3PH, SV, 3 LEADS, WYE OR DELTA CONNECTED

SH 1 of 1