

BALDOR • RELIANCE

Customer information packet

VEM2514T

20HP, 3510RPM, 3PH, 60HZ, 254TC, 3928M, ODP, F1

Class - None

Division - Not Applicable

Specifications

Enclosure	ODP
Frame	254TC
Frame Material	Steel
Frequency	60.00 Hz
Motor Letter Type	Three Phase
Output @ Frequency	20.000 HP @ 60 HZ
Phase	3
Synchronous Speed @ Frequency	3600 RPM @ 60 HZ
Voltage @ Frequency	460.0 V @ 60 HZ 230.0 V @ 60 HZ
XP Class and Group	None
XP Division	Not Applicable
Agency Approvals	CSA EEV NEMA PREMIUM UR CSA
Ambient Temperature	40 °C
Auxillary Box	No Auxillary Box
Auxillary Box Lead Termination	None
Base Indicator	No Mounting
Bearing Grease Type	Polyrex EM (-20F +300F)
Blower	None
Current @ Voltage	47.000 A @ 230.0 V 51.000 A @ 208.0 V 23.500 A @ 460.0 V
Design Code	A
Drip Cover	Drip Cover
Duty Rating	CONT
Efficiency @ 100% Load	91.0 %
Electrically Isolated Bearing	Not Electrically Isolated
Feedback Device	NO FEEDBACK
Front Face Code	Drip Cover Mounting

Part detail

Revision	P
Type	AC
Mech. spec.	39D05
Base	
Status	PRD/A
Elec. spec.	39WGX101
Layout	39LYD005
Eff. date	02-07-2023
CD Diagram	CD0180
Poles	02
Leads	9#12
Proprietary	False
Created date	07-15-2016

Front Shaft Indicator	None
Heater Indicator	No Heater
High Voltage Full Load Amps	23.5 a
Insulation Class	F
Inverter Code	Inverter Ready
KVA Code	G
Lifting Lugs	Standard Lifting Lugs
Locked Bearing Indicator	Locked Bearing
Motor Lead Exit	Ko Box
Motor Lead Quantity/Wire Size	9 @ 12 AWG
Motor Lead Termination	Flying Leads
Motor Standards	NEMA
Motor Type	3928M
Mounting Arrangement	F1
Number of Poles	2
Overall Length	22.00 IN
Power Factor	88
Product Family	General Purpose
Pulley End Bearing Type	Ball
Pulley Face Code	C-Face
Pulley Shaft Indicator	Standard
Rodent Screen	None
Service Factor	1.15
Shaft Diameter	1.625 IN
Shaft Extension Location	Pulley End
Shaft Ground Indicator	No Shaft Grounding
Shaft Rotation	Reversible
Shaft Slinger Indicator	No Slinger
Speed	3510 rpm
Speed Code	Single Speed
Starting Method	Direct on line
Thermal Device - Bearing	None
Thermal Device - Winding	None
Vibration Sensor Indicator	No Vibration Sensor

Winding Thermal 1

None

Winding Thermal 2

None

Nameplate

NP3554LUA										
CAT.NO.	VEM2514T			P/N				ENCL		ODP
SPEC.	39D005X101G1	CC	010A	FRAME		254TC	SER.NO.			
HP	20	CLASS		F	HZ	60				
RPM	3510	PH	3	DES		A				
VOLTS	230/460			CODE		G	ODE BRG	6208	DE BRG	6309
AMPS	47/23.5			USABLE AT 208V			51			
RATING	40C AMB-CONT			NEMA-NOM-EFF		91	GREASE	POLYREX EM		
PF	88	SER.F.	1.15	CT30-60(2:1) VT3-60(20:1)						
USABLE AT	50HZ 20HP 190/380V 56/28A			SF 1.0						
HTR-VOLTS	HTR-AMPS	MAX. SPACE HEATER TEMP.								

AC Induction Motor Performance Data

Record # 56168

Typical performance - not guaranteed values

Winding: 36WGS041-R015		Type: 3622M		Enclosure: XPFC	
Nameplate Data			460 V, 60 Hz: High Voltage Connection		
Rated Output (HP)	3	Full Load Torque	4.71 LB-FT		
Volts	230/460	Start Configuration	direct on line		
Full Load Amps	7.4/3.7	Breakdown Torque	19.7 LB-FT		
R.P.M.	3450	Pull-up Torque	12 LB-FT		
Hz	60 Phase	3	Locked-rotor Torque	14.1 LB-FT	
NEMA Design Code	B KVA Code	K	Starting Current	33.3 A	
Service Factor (S.F.)		1	No-load Current	1.17 A	
NEMA Nom. Eff.	86.5 Power Factor	91	Line-line Res. @ 25°C	4.5612 Ω	
Rating - Duty		40C AMB-CONT	Temp. Rise @ Rated Load	52°C	

Load Characteristics 460 V, 60 Hz, 3 HP

% of Rated Load	25	50	75	100	125	150
Power Factor	66	82	88	91	92	93
Efficiency	80.8	86.2	87.3	87.1	86	84.5
Speed	3564.7	3535.4	3504.2	3471.8	3434.1	3393.5
Line amperes	1.56	2.17	2.93	3.67	4.57	5.5

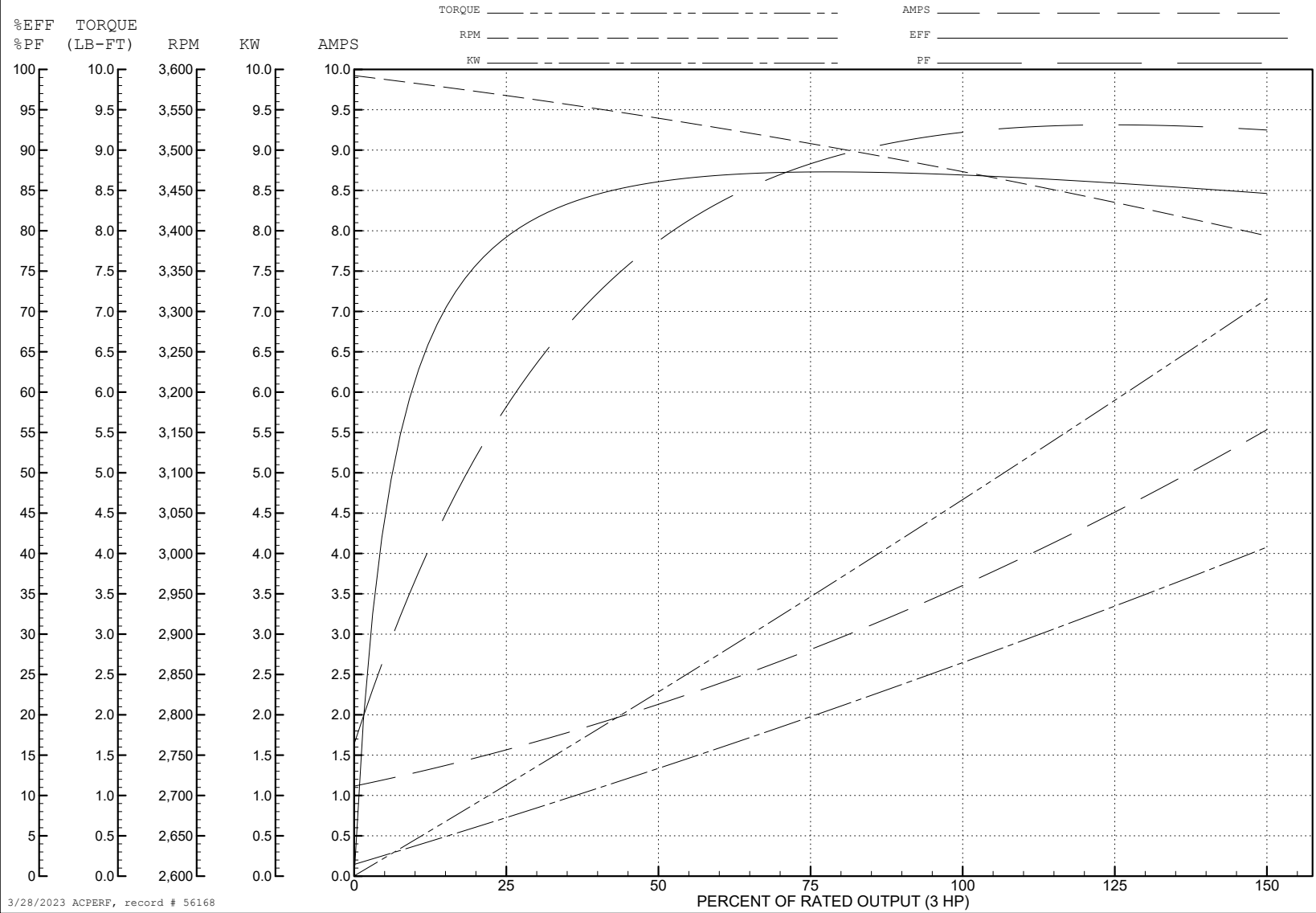
ABB Motors and Mechanical Inc.

WINDING # 36WGS041

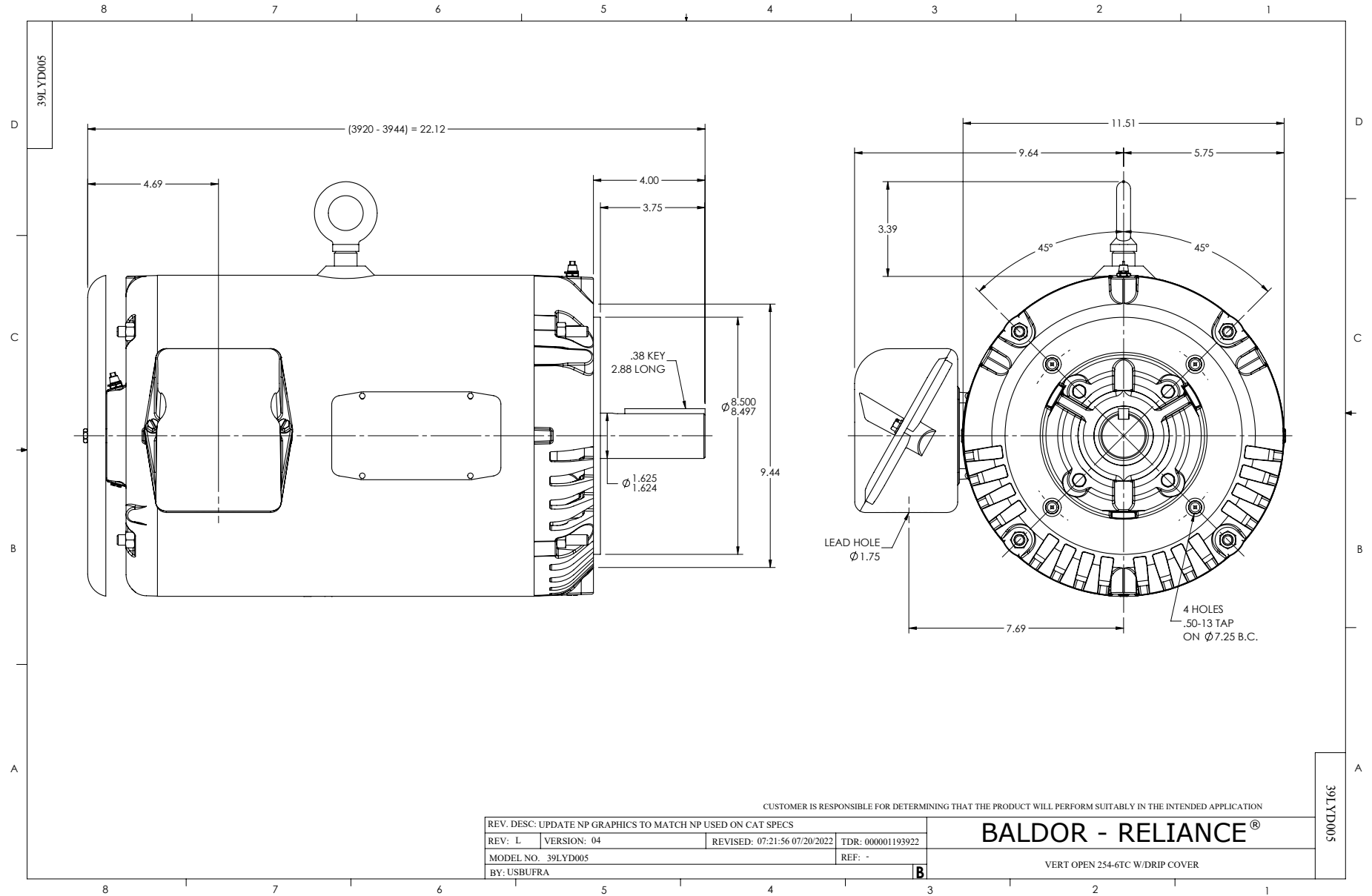
3 HP 3 PH 60 HZ 3450 RPM 460 V 3622M

Typical performance - not guaranteed values.

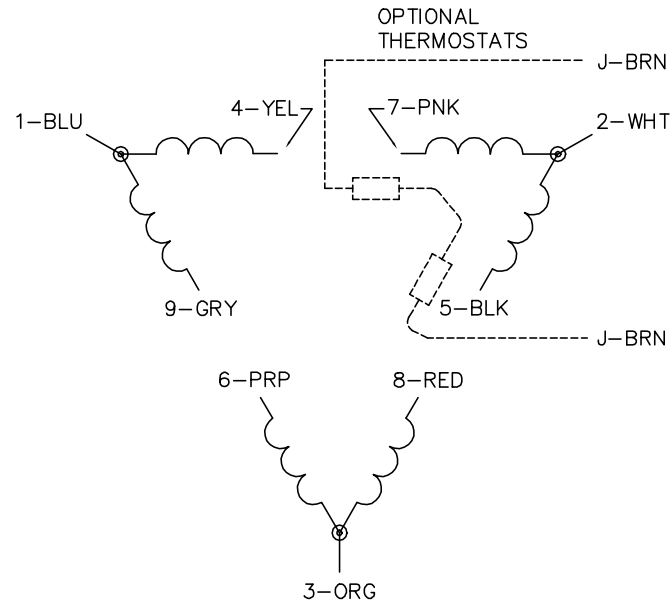
TORQUES (LB-FT): PO=19.7 PU=12 LR=14.1 LRA=33.3



3/28/2023 ACPERF, record # 56168



CD0180



LOW VOLTAGE
(2D)



HIGH VOLTAGE
(1D)



NOTES:

1. INTERCHANGE ANY TWO LINE LEADS TO REVERSE ROTATION.
2. OPTIONAL THERMOSTATS ARE PROVIDED WHEN SPECIFIED.
3. ACTUAL NUMBER OF INTERNAL PARALLEL CIRCUITS MAY BE A MULTIPLE OF THOSE SHOWN ABOVE.
4. LEAD COLORS ARE OPTIONAL. LEADS MUST ALWAYS BE NUMBERED AS SHOWN.

CD0180

REV. DESC: ADD CLASS CONN00000007		
REV. LTR: D	VERSION: 01	TDR: 000001099922
FILE: \AAA\00005\148	REVISED: 10: 25: 29 02/19/2019	BY: ENBRIRO
MTL: -	© □	

BALDOR - RELIANCE®

3PH, DV, 9 LEADS, DELTA CONNECTION

SH 1 of 1