

BALDOR • RELIANCE

Customer information packet

VEM2513T

15HP, 1765RPM, 3PH, 60HZ, 254TC, 3948M, ODP, F1

Class - None

Division - Not Applicable

Copyright © All product information within this document is subject to ABB Motors and Mechanical Inc. copyright © protection, unless otherwise noted.

1/18/2025 8:57:17 PM

Specifications

Enclosure	ODP
Frame	254TC
Frame Material	Steel
Frequency	60.00 Hz
Haz Area Class and Group	None
Haz Area Division	Not Applicable
Motor Letter Type	Three Phase
Output @ Frequency	15.000 HP @ 60 HZ
Phase	3
Synchronous Speed @ Frequency	1800 RPM @ 60 HZ
Voltage @ Frequency	460.0 V @ 60 HZ 230.0 V @ 60 HZ
Agency Approvals	NEMA PREMIUM NEMA_PREMIUM UR CSA EEV
Ambient Temperature	40 °C
Auxillary Box	No Auxillary Box
Auxillary Box Lead Termination	None
Base Indicator	No Mounting
Bearing Grease Type	Polyrex EM (-20F +300F)
Blower	None
Current @ Voltage	36.400 A @ 230.0 V 39.000 A @ 208.0 V 18.200 A @ 460.0 V
Design Code	A
Drip Cover	Drip Cover
Duty Rating	CONT
Efficiency @ 100% Load	93.0 %
Electrically Isolated Bearing	Not Electrically Isolated
Feedback Device	NO FEEDBACK
Front Face Code	Drip Cover Mounting

Part detail

Revision	R
Type	AC
Mech. spec.	39T032
Base	
Status	PRD/A
Elec. spec.	39WGY375
Layout	39LYT032
Eff. date	06-27-2024
CD Diagram	CD0180
Poles	04
Leads	9#12
Proprietary	False
Created date	10-03-2017

Front Shaft Indicator	None
Heater Indicator	No Heater
High Voltage Full Load Amps	18.2 a
Insulation Class	F
Inverter Code	Inverter Ready
KVA Code	J
Lifting Lugs	Standard Lifting Lugs
Locked Bearing Indicator	Locked Bearing
Motor Lead Exit	Ko Box
Motor Lead Quantity/Wire Size	9 @ 12 AWG
Motor Lead Termination	Flying Leads
Motor Standards	NEMA
Motor Type	3948M
Mounting Arrangement	F1
Number of Poles	4
Overall Length	24.15 IN
Power Factor	83
Product Family	General Purpose
Pulley End Bearing Type	Ball
Pulley Face Code	C-Face
Pulley Shaft Indicator	Standard
Rodent Screen	None
Service Factor	1.15
Shaft Diameter	1.625 IN
Shaft Extension Location	Pulley End
Shaft Ground Indicator	No Shaft Grounding
Shaft Rotation	Reversible
Shaft Slinger Indicator	No Slinger
Speed	1770 rpm
Speed Code	Single Speed
Starting Method	Direct on line
Thermal Device - Bearing	None
Thermal Device - Winding	None
Vibration Sensor Indicator	No Vibration Sensor

Winding Thermal 1

None

Winding Thermal 2

None

Nameplate

NP3554LUA										
CAT.NO.	VEM2513T			P/N				ENCL		ODP
SPEC.	39T032Y375G1	CC	010A	FRAME		254TC	SER.NO.			
HP	15	CLASS		F	HZ	60				
RPM	1770	PH	3	DES		A				
VOLTS	230/460			CODE		J	ODE BRG	6208	DE BRG	6309
AMPS	36.4/18.2									
RATING	40C AMB-CONT			NEMA-NOM-EFF		93	GREASE	POLYREX EM		
PF	83	SER.F.	1.15	CT30-60(2:1) VT3-60(20:1)						
USABLE AT	50HZ 15HP 190/380V 44/22A			SF 1.0						
HTR-VOLTS	HTR-AMPS	MAX. SPACE HEATER TEMP.								

AC Induction Motor Performance Data

Record # 93498

Typical performance - not guaranteed values

Winding: 39WGY375-R001		Type: 3948M	Enclosure: OPSB	
Nameplate Data			460 V, 60 Hz: High Voltage Connection	
Rated Output (HP)	15	Full Load Torque	44.57 LB-FT	
Volts	230/460	Start Configuration	direct on line	
Full Load Amps	36/18	Breakdown Torque	171 LB-FT	
R.P.M.	1770	Pull-up Torque	79.1 LB-FT	
Hz	60 Phase	3	Locked-rotor Torque	100 LB-FT
NEMA Design Code	A KVA Code	J	Starting Current	137 A
Service Factor (S.F.)	1.15	No-load Current	7.62 A	
NEMA Nom. Eff.	93 Power Factor	83	Line-line Res. @ 25°C	0.5794 Ω
Rating - Duty	40C AMB-CONT	Temp. Rise @ Rated Load	29°C	
S.F. Amps		Temp. Rise @ S.F. Load	35°C	
		Locked-rotor Power Factor	32.8	

Load Characteristics 460 V, 60 Hz, 15 HP

% of Rated Load	25	50	75	100	125	150	S.F.
Power Factor	45	68	78	83	86	87	85
Efficiency	88.6	92.6	93.3	93.1	92.5	91.7	92.7
Speed	1794.2	1788	1781.2	1773.7	1766.3	1758.2	1769
Line amperes	8.77	11.2	14.5	18.2	22.1	26.4	20.5

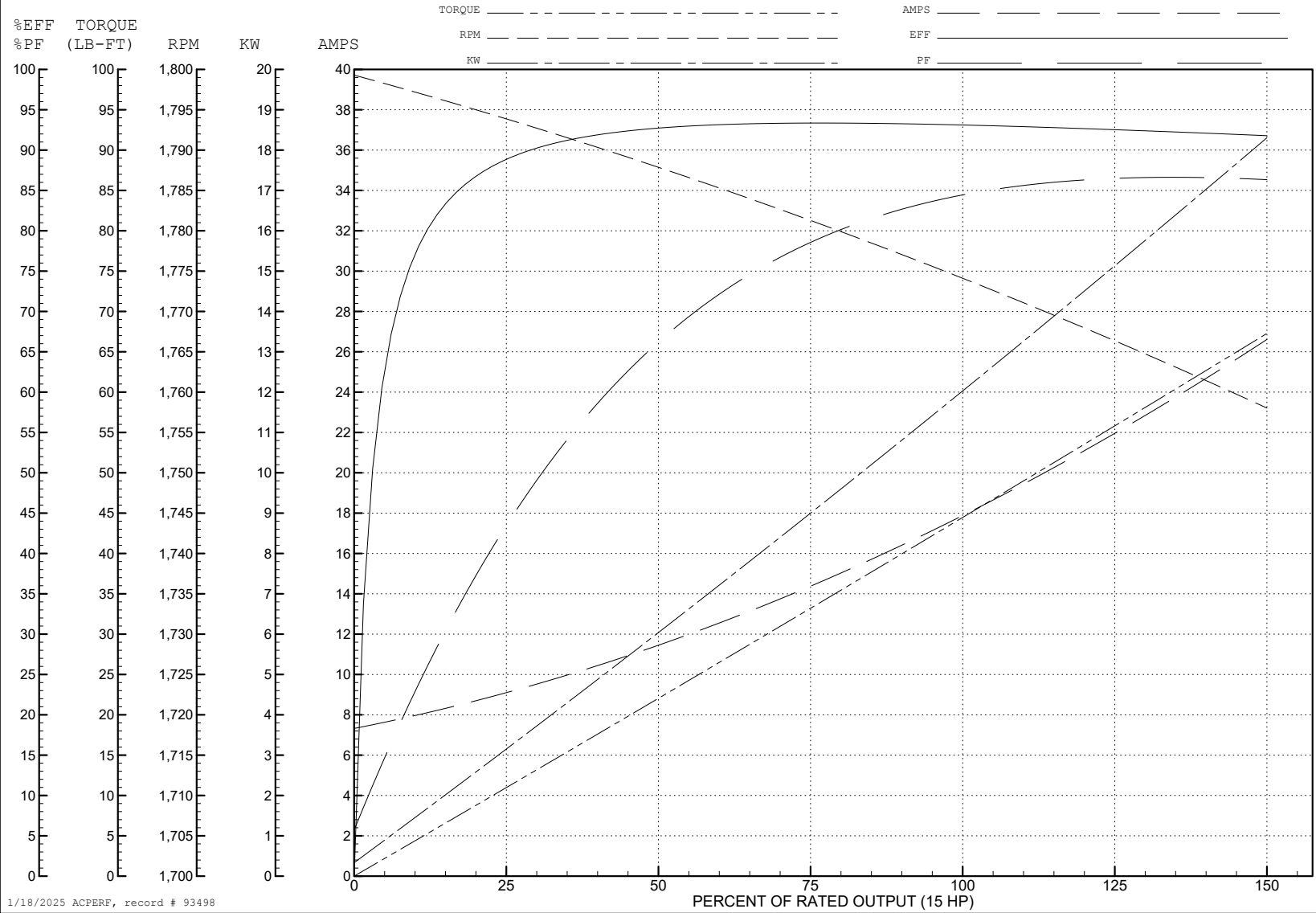
ABB Motors and Mechanical Inc.

WINDING # 39WGY375

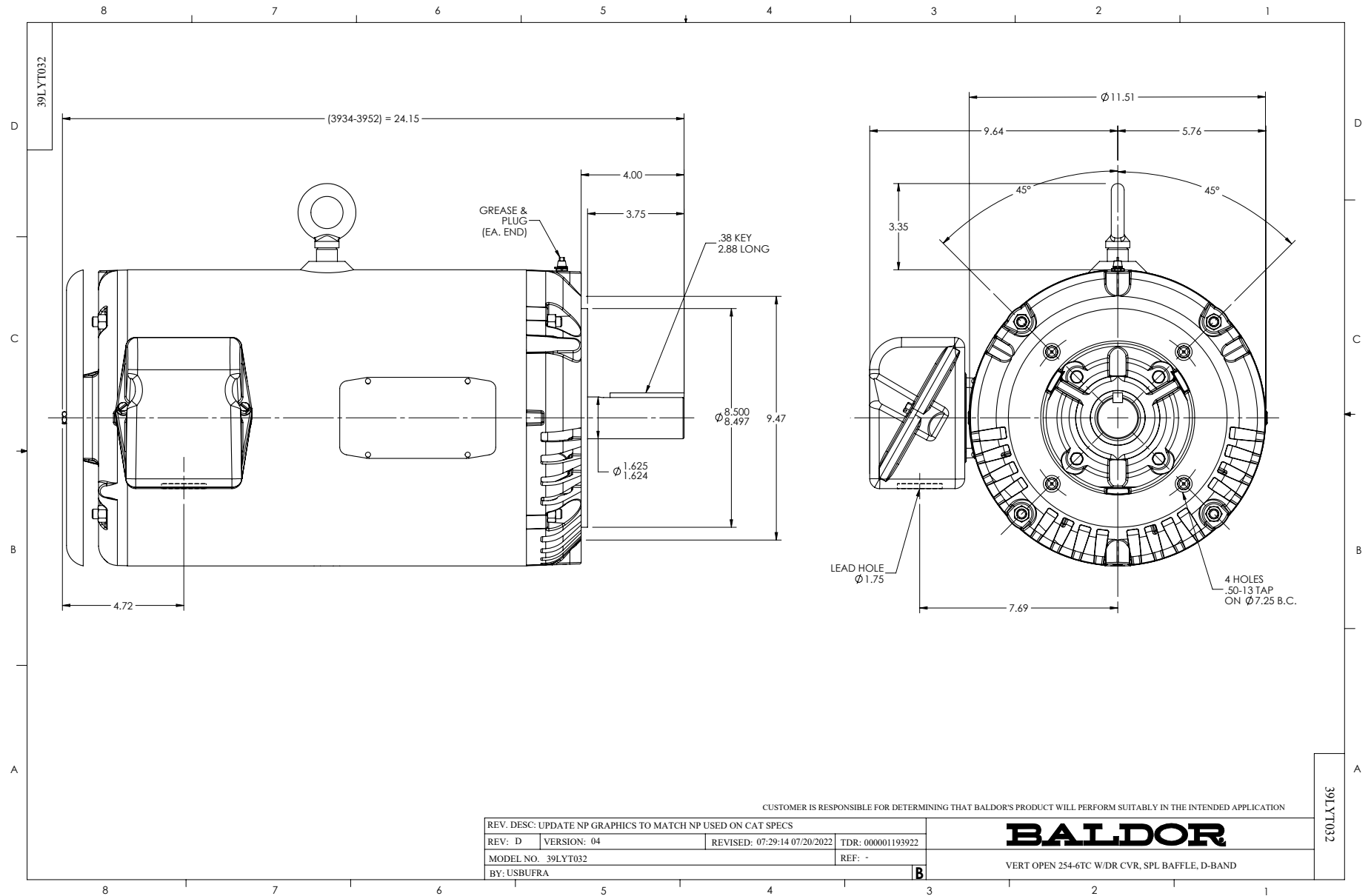
Typical performance - not guaranteed values.

15 HP 3 PH 60 HZ 1770 RPM 460 V 3948M

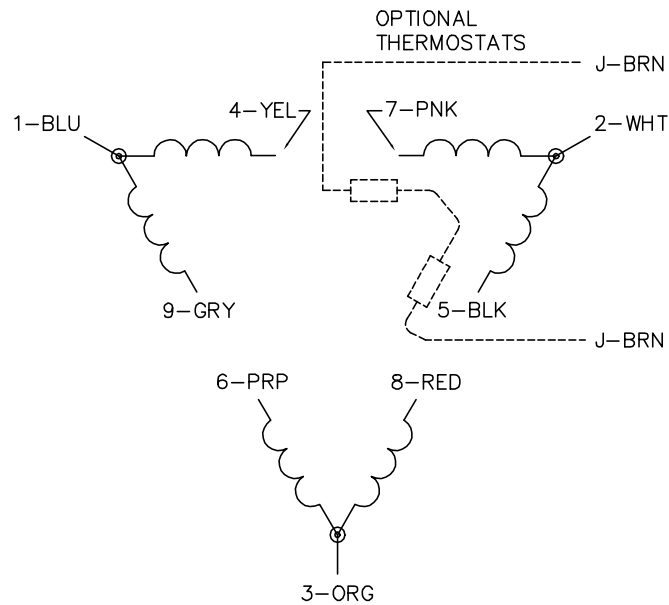
TORQUES (LB-FT): PO=171 PU=79.1 LR=100 LRA=137



1/18/2025 ACPERF, record # 93498



CD0180



LOW VOLTAGE
(2D)



HIGH VOLTAGE
(1D)



NOTES:

1. INTERCHANGE ANY TWO LINE LEADS TO REVERSE ROTATION.
2. OPTIONAL THERMOSTATS ARE PROVIDED WHEN SPECIFIED.
3. ACTUAL NUMBER OF INTERNAL PARALLEL CIRCUITS MAY BE A MULTIPLE OF THOSE SHOWN ABOVE.
4. LEAD COLORS ARE OPTIONAL. LEADS MUST ALWAYS BE NUMBERED AS SHOWN.

CD0180

REV. DESC: ADD CLASS CONN00000007		
REV. LTR: D	VERSION: 01	TDR: 000001099922
FILE: \AAA\00005\148	REVISED: 10: 25: 29 02/19/2019	BY: ENBRIRO
MTL: -	© □	

BALDOR - RELIANCE®

3PH, DV, 9 LEADS, DELTA CONNECTION

SH 1 of 1